

# EXAMPLE & ORDERING CODE

42R01- **3** **1** **2** **1** - **200**

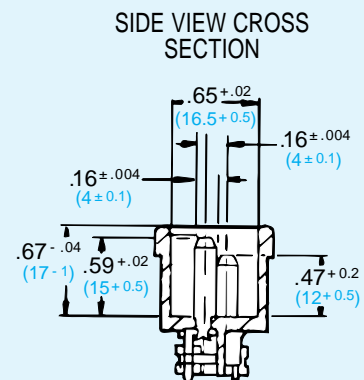
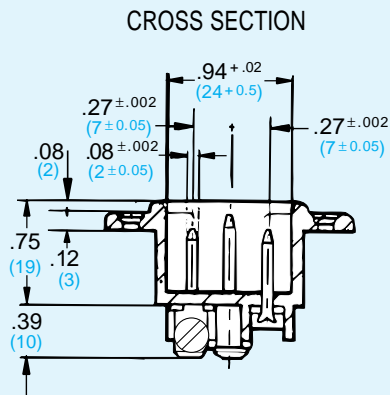
MECHANICAL MOUNTING CONFIGURATION		
SIDE FLANGE (36mm)		=1
CROSS FLANGE		=2
SNAP-IN		=3
SIDE FLANGE		=4
BOTTOM FLANGE		=5
BOTTOM FLANGE		=6
SIDE FLANGE		=7
SIDE FLANGE		=8

COLOR	BLACK =1
Other colors available on request.	GRAY =2

SCREW TERMINALS	M3 x 6.0mm =2
-----------------	---------------

ELECTRICAL CIRCUIT CONFIGURATION		
	=1	
	=2	
	=4	

PANELTHICKNESS (SNAP-INS ONLY)	.06 (1.5mm) =150
	.08 (2.0mm) =200
Additional panel thickness available on request.	.10 (2.5mm) =250



General purpose power cord connector. Screw terminal configuration. Rated 15 Amp., 250 VAC, 65°C to 120°C operating temperature. Designed for versatile mounting. Available in screw or snap-in panel mount and eight mounting configurations.

## SPECIFICATIONS

### MATERIAL AND FINISH:

Housing:  
Material: Polycarbonate  
Rating: UL 94V-0

Contacts:  
Material: Brass  
Plating: Nickel

### ELECTRICAL SPECIFICATIONS:

Insulation Resistance: 100 Megaohm min. @ 500 VDC  
Dielectric Strength: 2000 VAC for 1 minute

Specifications subject to change without notice. (Metric dimensions are shown in parentheses.) See pages 293-300 for mating power cords.