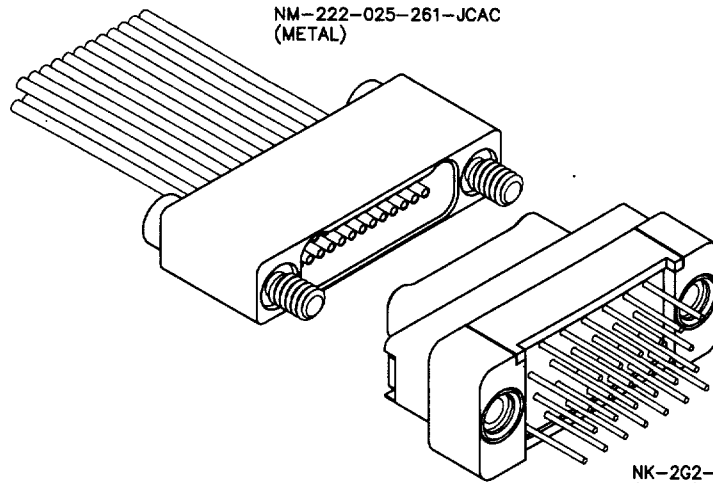


2 · ROW
Cable to Board
Vertical PTH

.025"

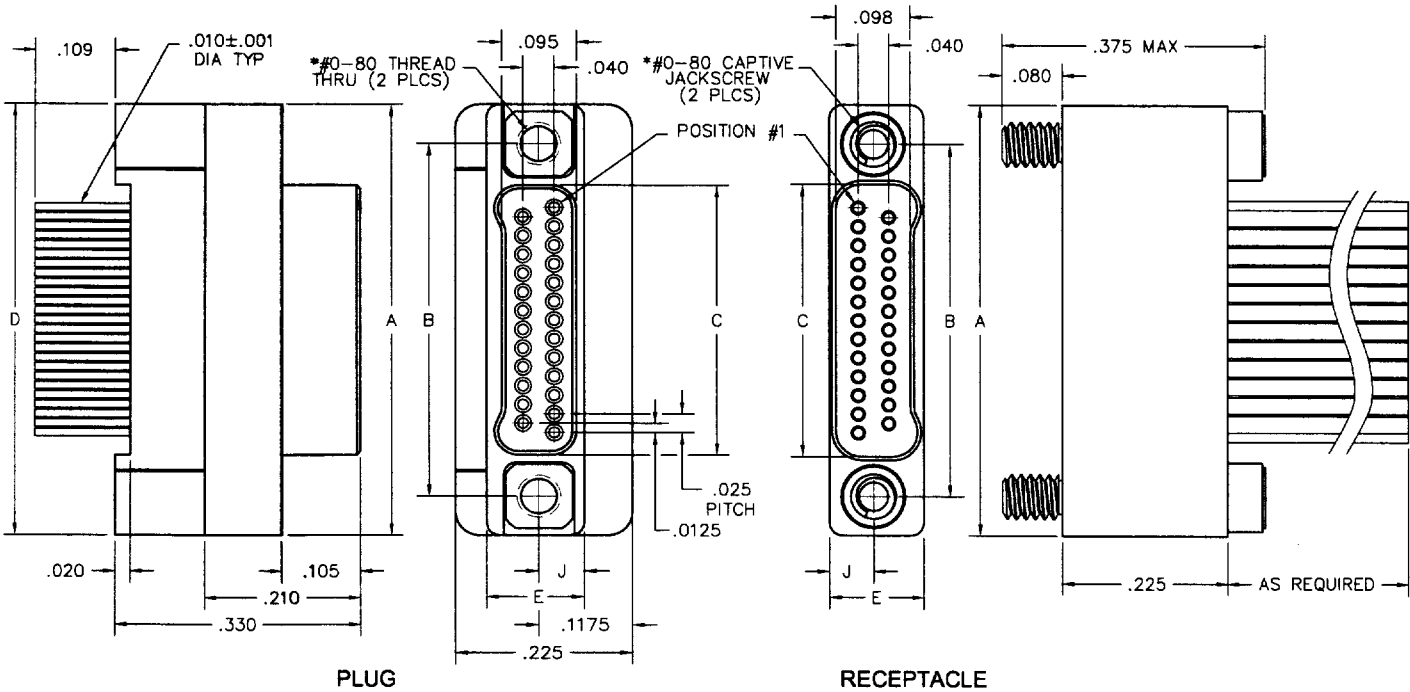
NM, NK

9 thru 85 Contacts

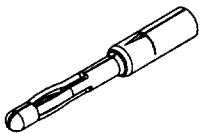


NM-222-025-261-JCAC
(METAL)

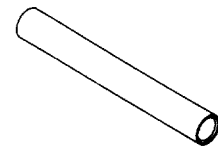
NK-2G2-025-135-TH00
(METAL)



SIZE	A	B	C		D	E	J	*HARDWARE
			PLUG	RCPT				
9	.375	.270	.160	.163	.170			
15	.450	.345	.235	.238	.245			
21	.525	.420	.310	.313	.320			
25	.575	.470	.360	.363	.370			
31	.650	.545	.435	.438	.445	.125	.0575	#0-80 THREAD
37	.725	.620	.510	.513	.520			
51	.900	.795	.685	.688	.695			
65	1.075	.970	.860	.863	.870			
69	1.125	1.020	.910	.913	.920			
85	1.377	1.246	1.110	1.113	1.120	.150	.0700	#2-56 THREAD



PIN CONTACT
3 TINE SPRING MEMBER, CRIMP



SOCKET CONTACT
MACHINED TUBE, CRIMP

PLUG: NK-2G2-025-135-TH00
 RECEPTACLE: NM-222-025-261-JCAC
 XX-XXX-XXX-XXX-XXXX

PLUG		RECEPTACLE	
SERIES			
NK .025" Metal PC Board Mounted Connector		NM .025" Metal I/O Connector	
BODY			
2	2-Row	2	2-Row
BODY STYLE: G Plug, vertical mount, plated thru hole (PTH)		BODY STYLE: 2 Receptacle, straight	
BODY MATERIAL: 2 Liquid Crystal Polymer w/ electroless nickel shell 3 Liquid Crystal Polymer w/ electrodeposited cadmium shell		BODY MATERIAL: 2 Liquid Crystal Polymer w/ electroless nickel shell 3 Liquid Crystal Polymer w/ electrodeposited cadmium shell	
SIZE			
XXX Number of contacts (009, 015, 021, 025, 031, 037, 051, 065, 069 or 085)		XXX Number of contacts (009, 015, 021, 025, 031, 037, 051, 065, 069 or 085)	
CONTACTS			
TYPE CONTACTS/TERMINATIONS: 13 Pin, straight, dip solder, .109" 14 Pin, straight, dip solder, .140" 15 Pin, straight, dip solder, .172"		TYPE CONTACTS/TERMINATIONS: 26 Socket, straight, crimped wire	
PLATING OPTIONS: 5 50 u" Au contacts; 100 u" Sn terminations		PLATING OPTIONS: 1 50 u" Au contacts	
HARDWARE			
STYLE OF HARDWARE: 00 None TH Threaded hole, #0-80 UNF*		STYLE OF HARDWARE: 00 None JC Turning jackscrews, captivated #0-80*	
WIRING OPTIONS: 00 None		WIRING OPTIONS: XX See wiring codes, Page N-51	

* = #2-56 hardware on 85 position connectors