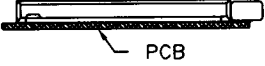
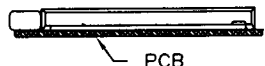
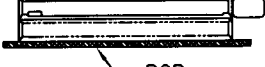
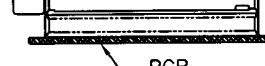


DESCRIPTION: ABOVE PCB, DECK AND PUSH ROD LOCATION ARE AS VIEW BY USER.

PRODUCT NO. 71299-XXXXX	PUSH-ROD LOCATION	STAND-OFF HEIGHT	Ⓐ HEADER ASSY 71249-XXXX	Ⓑ MECHANISM ASSY 72336-XXXXX	Ⓒ MATING RECEPTACLE	MOUNTING STYLE TO PCB AND PUSH-ROD SIDE
000CA	RIGHT	0.0	0000	72336-000CA	100 POSITION (2X50) 0.8mm RECEPTACLE PART NO. 73277-101000  PURCHASE SEPARATELY	
020CA	RIGHT	2.2	0022	72336-022CA		
040CA	RIGHT	4.3	0043	72336-043CA		
050CA	RIGHT	5.0	0050	72336-050CA		
100CA	LEFT	0.0	0000	72336-100CA		
120CA	LEFT	2.2	0022	72336-122CA		
140CA	LEFT	4.3	0043	72336-143CA		
150CA	LEFT	5.0	0050	72336-150CA		
005CA	RIGHT	0.0	0500	72336-000CA		
025CA	RIGHT	0.0	0522	72336-000CA		
045CA	RIGHT	0.0	0543	72336-000CA		
055CA	RIGHT	0.0	0550	72336-000CA		
105CA	LEFT	0.0	0500	72336-100CA		
125CA	LEFT	0.0	0522	72336-100CA		
145CA	LEFT	0.0	0543	72336-100CA		
155CA	LEFT	0.0	0550	72336-100CA		

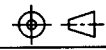
**ORDERING INFORMATION**

ORDER:

- EJECT HEADER ASSY (71299-XXXXX)
- MATING RECEPTACLE (73277-101000)

NOTE:

1. SEE 71240 FOR DOUBLE-DECK APPLICATIONS.

mat'l. code				tolerances unless otherwise specified				CUSTOMER COPY		<b>BERG ELECTRONICS</b>	
ltr	ecn no	dr	date	linear	.X ±.3			projection		title	
B	V60642	RHG	4/11/96		.XX ±.13					CARDBUS SINGLE DECK	
C	60993	RHG	7/3/96	angles	.XXX ±.051			mm	scale	product family	
D	V61396	RDS	9/19/96		0° ±2°					MCS	
E	V61493	RHG	10/16/96	dr	R.GRAPE	2/13/96	1:1	A4	size		
F	V70041	RHG	1/9/97	enr	D.BRANN	2/13/96			dwg no		
G	V70330	RHG	3/5/97	chr	D.BRANN	2/13/96	71299		sheet		
H	V80376	RHG	3/10/98	appd	D.BRANN	2/13/96	1 of 10		code		
sheet	revision	H	H	G	G	G	H	H	H	G	
index	sheet	1	2	3	4	5	6	7	8	9	10

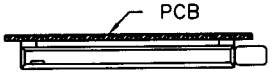
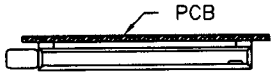
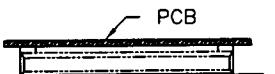
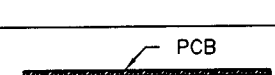
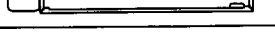
cage code  
22526

Tous droits strictement réservés. Reproduction ou communication à des tiers interdite sous quelque forme que ce soit sans autorisation écrite du propriétaire. Propriété de ©BERG ELECTRONICS. Droits de reproduction BERG ELECTRONICS INC.

**BERG**  
ELECTRONICS

All rights strictly reserved. Reproduction or issue to third parties in any form whatever is not permitted without written authority from the proprietor. Property of ©BERG ELECTRONICS Copyright BERG ELECTRONICS INC.

DESCRIPTION: BELOW PCB, DECK AND PUSH ROD LOCATION ARE AS VIEWED BY USER

PRODUCT NO. 71299-XXXXX	PUSH-ROD LOCATION	STAND-OFF HEIGHT	Ⓐ HEADER ASSY 71249-XXXX	Ⓑ MECHANISM ASSY 72337-XXXX	Ⓒ MATING RECEPTACLE	MOUNTING STYLE TO PCB AND PUSH-ROD SIDE
520CA	RIGHT	2.2	5022	72337-122CA	100 POSITION (2X50) 0.8mm RECEPTACLE PART NO. 73277-101000	
540CA	RIGHT	4.3	5043	72337-143CA		
550CA	RIGHT	5.0	5050	72337-150CA		
620CA	LEFT	2.2	5022	72337-022CA		
640CA	LEFT	4.3	5043	72337-043CA		
650CA	LEFT	5.0	5050	72337-050CA		
525CA	RIGHT	0.0	5522	72337-100CA		
545CA	RIGHT	0.0	5543	72337-100CA		
555CA	RIGHT	0.0	5550	72337-100CA		
SEE NOTE ① 555DA	RIGHT	0.0	5550	72337-100DA		
625CA	LEFT	0.0	5522	72337-000CA		
645CA	LEFT	0.0	5543	72337-000CA		
655CA	LEFT	0.0	5550	72337-000CA		

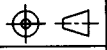
**ORDERING INFORMATION**

ORDER:

- EJECT HEADER ASSY (71299-XXXXX)
- MATING RECEPTACLE (73277-101000)

**NOTES:**

- ① 555DA HAS 15.6mm PUSH BUTTON RETURN LENGTH INSTEAD OF 13.0mm.
- BELOW P.C.B., 0.0mm STAND-OFF IS NOT AVAILABLE.

mat'l. code				tolerances unless otherwise specified		CUSTOMER COPY		<b>BERG ELECTRONICS</b>						
ltr	ecn no	dr	date	linear	.X ±.3	projection		title						
H					.XX ±.13			CARDBUS SINGLE DECK		ASSY SMT TYPE 123				
					.XXX ±.051			product family		MCS	code			
				angles	0° ±2°	mm	scale	A4	71299					
				dr	R.GRAPE 2/13/96					1:1	size	dwg no	sheet	
				engr	D.BRANN 2/13/96									2 of
				chr	D.BRANN 2/13/96									
				appd	D.BRANN 2/13/96									
sheet index	revision sheet													

cage code  
22526

Tous droits strictement reserves. Reproduction ou communication a des tiers interdite sous quelque forme que ce soit sans autorisation écrite du propriétaire. Propriété de © BERG ELECTRONICS. Droits de reproduction BERG ELECTRONICS INC.

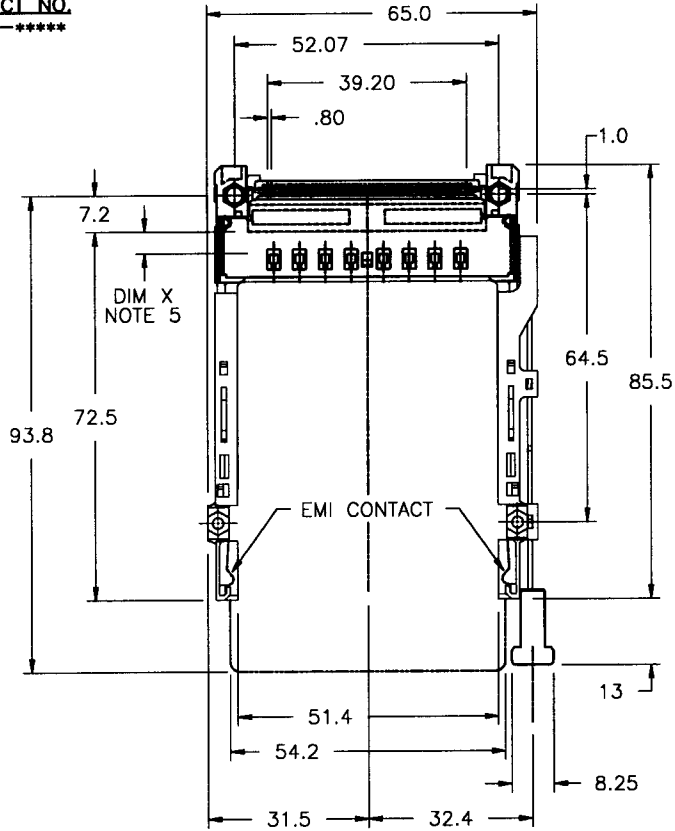
All rights strictly reserved. Reproduction or issue to third parties in any form whatever is not permitted without written authority from the proprietor. Property of © BERG ELECTRONICS Copyright BERG ELECTRONICS INC.

Tous droits strictement réservés. Reproduction ou communication à des tiers interdite sous quelque forme que ce soit sans autorisation écrite du propriétaire.  
 Propriété de © BERG ELECTRONICS. Droits de reproduction BERG ELECTRONICS INC.

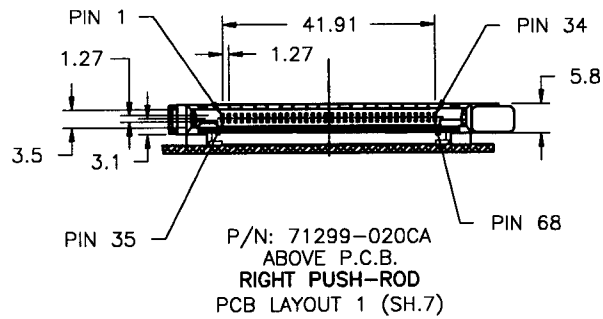
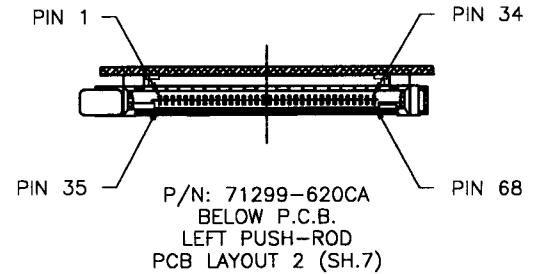
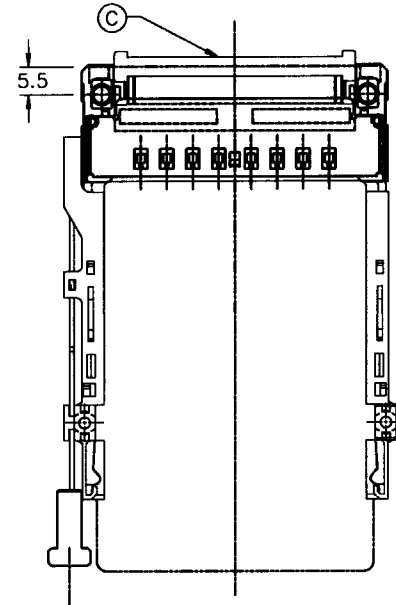
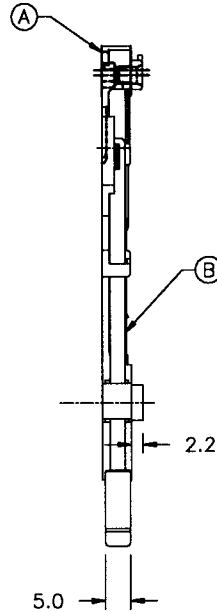


All rights strictly reserved. Reproduction or issue to third parties in any form whatever is not permitted without written authority from the proprietor.  
 Property of © BERG ELECTRONICS Copyright BERG ELECTRONICS INC.

PRODUCT NO.  
71299-\*\*\*\*\*



MATING RECEPTACLE  
SHOWN FOR APPLICATION  
CLARITY ONLY  
MUST BE PURCHASED  
SEPARATELY



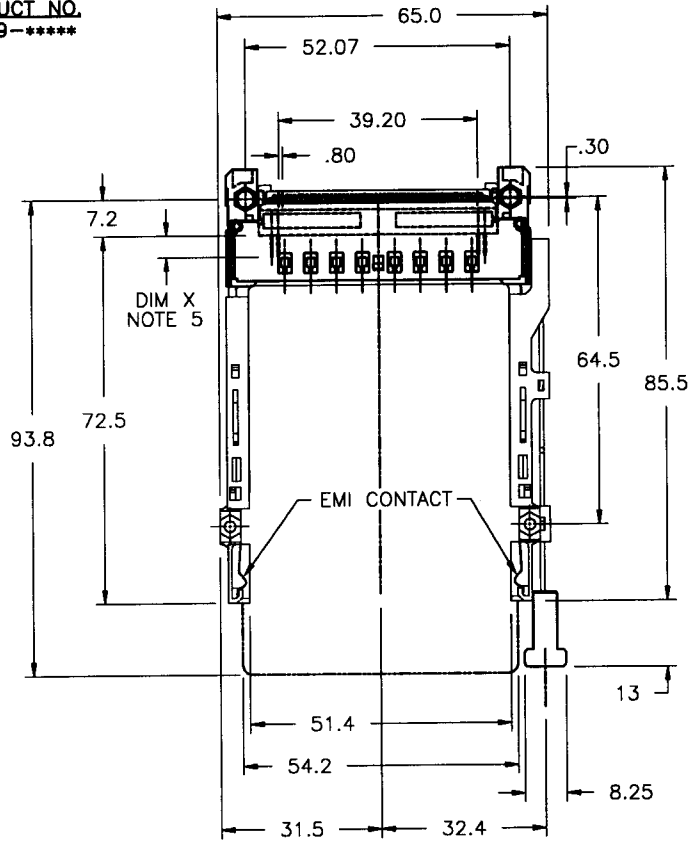
mat'l. code				tolerances unless otherwise specified		CUSTOMER COPY		<b>BERG ELECTRONICS</b>			
ltr	ecn no	dr	date	linear	.X ±.3	projection	title	CARDBUS SINGLE DECK ASSY SMT TYPE 123			
G					.XX ±.13			mm	product family	MCS	code
					.XXX ±.051					scale	size
				angles	σ ±2°	3/4	A4	71299	3 of		
				dr	R.GRAPE 2/13/96						
				enqr	D.BRANN 2/13/96						
				chr	D.BRANN 2/13/96						
				appd	D.BRANN 2/13/96						
sheet index	revision sheet										

Tous droits strictement reserves. Reproduction ou communication a des tiers interdite sous quelque forme que ce soit sans autorisation écrite du propriétaire.  
 Propriete de ©BERG ELECTRONICS. Droits de reproduction BERG ELECTRONICS INC.

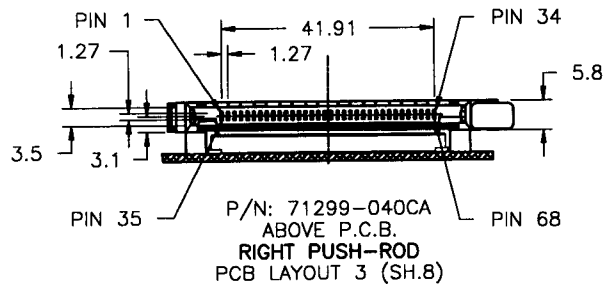
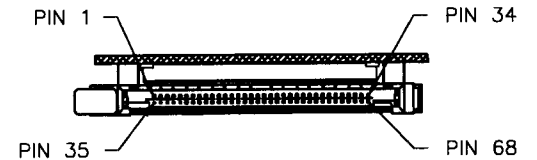
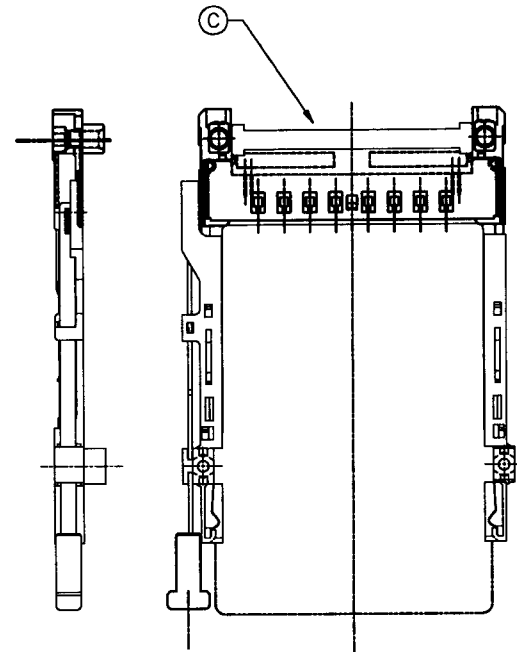
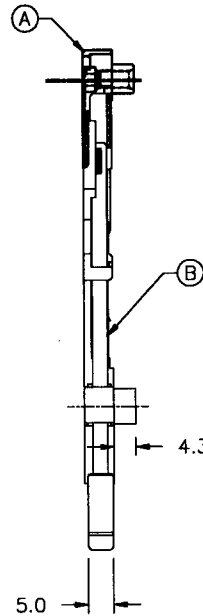
**BERG**  
ELECTRONICS

All rights strictly reserved. Reproduction or issue to third parties in any form whatever is not permitted without written authority from the proprietor.  
 Property of ©BERG ELECTRONICS Copyright BERG ELECTRONICS INC.

PRODUCT NO.  
71299-\*\*\*\*\*



MATING RECEPTACLE  
SHOWN FOR APPLICATION  
CLARITY ONLY  
MUST BE PURCHASED  
SEPARATELY



P/N: 71299-640CA  
BELOW P.C.B.  
LEFT PUSH-ROD  
PCB LAYOUT 4 (SH.8)

mat'l. code				tolerances unless otherwise specified		CUSTOMER COPY	<b>BERG</b> ELECTRONICS	
ltr	ecn no	dr	date	linear	.X ±.3			projection
G					.XX ±.13		CARDBUS SINGLE DECK ASSY SMT TYPE 123	
				angles	.XXX ±.051			product family
				dr	R.GRAPE 2/13/96	mm	code	-
				engr	D.BRANN 2/13/96	scale	size	dwg no
				chr	D.BRANN 2/13/96		1:1	A4
				appd	D.BRANN 2/13/96		sheet	4 of
sheet index	revision sheet							

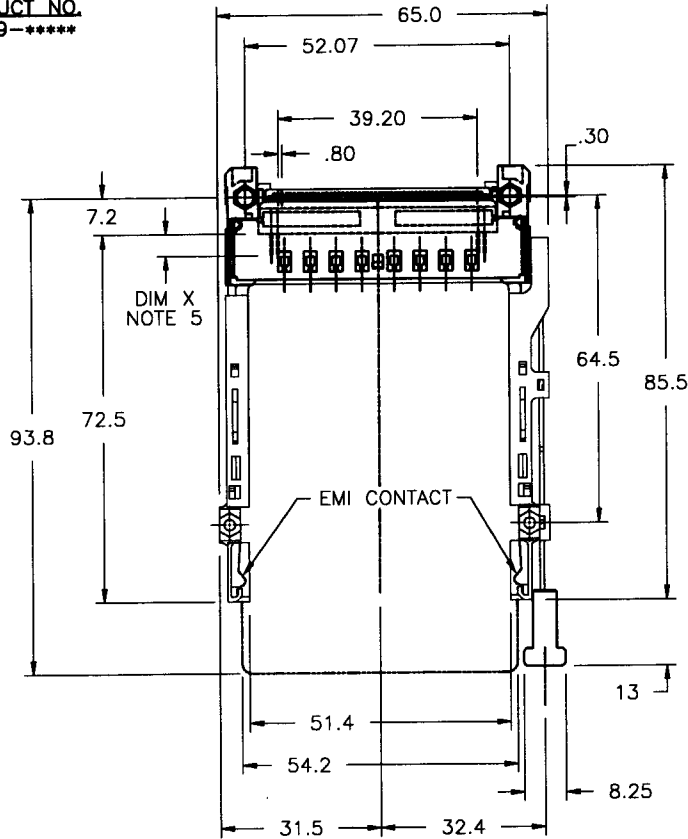
cage code  
22526

**BERG**  
ELECTRONICS

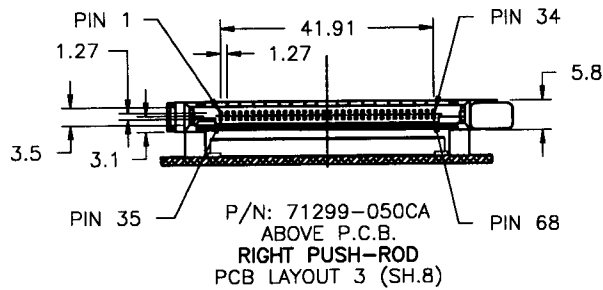
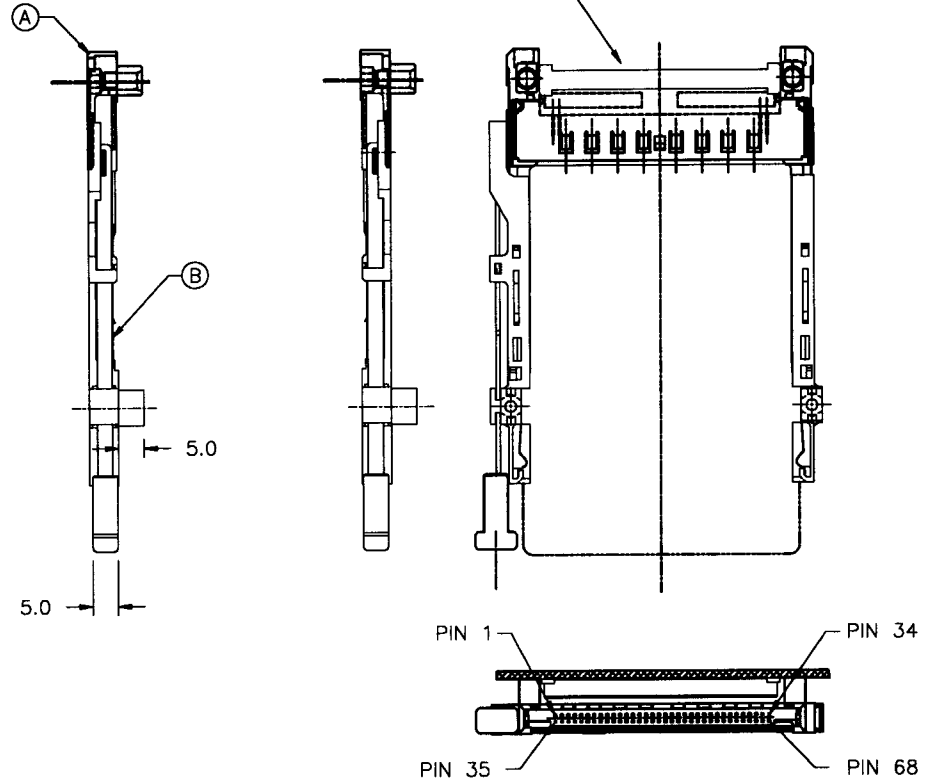
All rights strictly reserved. Reproduction or issue to third parties in any form  
whenever is not permitted without written authority from the proprietor.  
Property of ©BERG ELECTRONICS Copyright BERG ELECTRONICS INC.

Tous droits strictement réservés. Reproduction ou communication a des tiers interdite  
sous quelque forme que ce soit sans autorisation écrite du propriétaire.  
Propriété de ©BERG ELECTRONICS. Droits de reproduction BERG ELECTRONICS INC.

PRODUCT NO.  
71299-\*\*\*\*\*



MATING RECEPTACLE  
SHOWN FOR APPLICATION  
CLARITY ONLY  
MUST BE PURCHASED  
SEPARATELY



P/N: 71299-650CA  
BELOW P.C.B.  
LEFT PUSH-ROD  
PCB LAYOUT 4 (SH.8)

mat'l. code				tolerances unless otherwise specified		CUSTOMER COPY	<b>BERG</b> ELECTRONICS
ltr	ecn no	dr	date	linear	projection		
G				.X ±.3		product family MCS	code -
				.XX ±.13			
				.XXX ±.051	scale 1:1	A4	71299
				angles σ ±2°			
				dr	R.GRAPE	2/13/96	
				engr	D.BRANN	2/13/96	
				chr	D.BRANN	2/13/96	
				appd	D.BRANN	2/13/96	
sheet index	revision sheet						

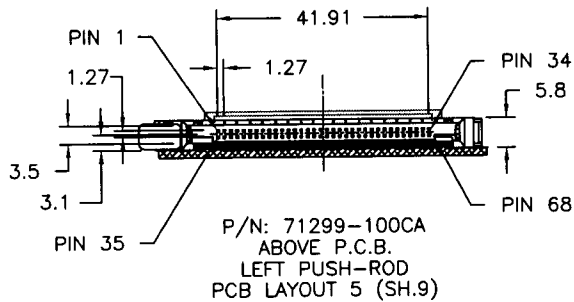
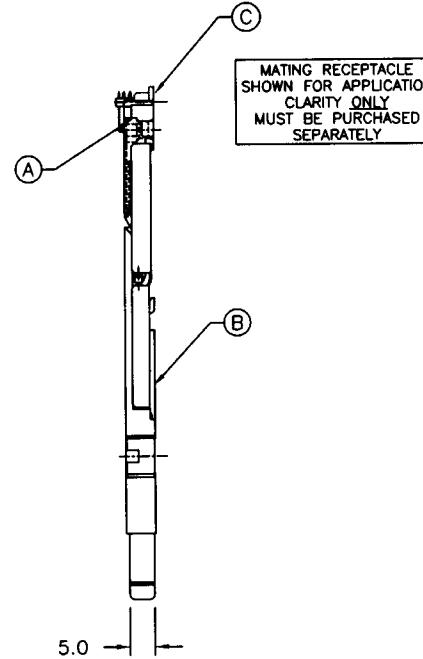
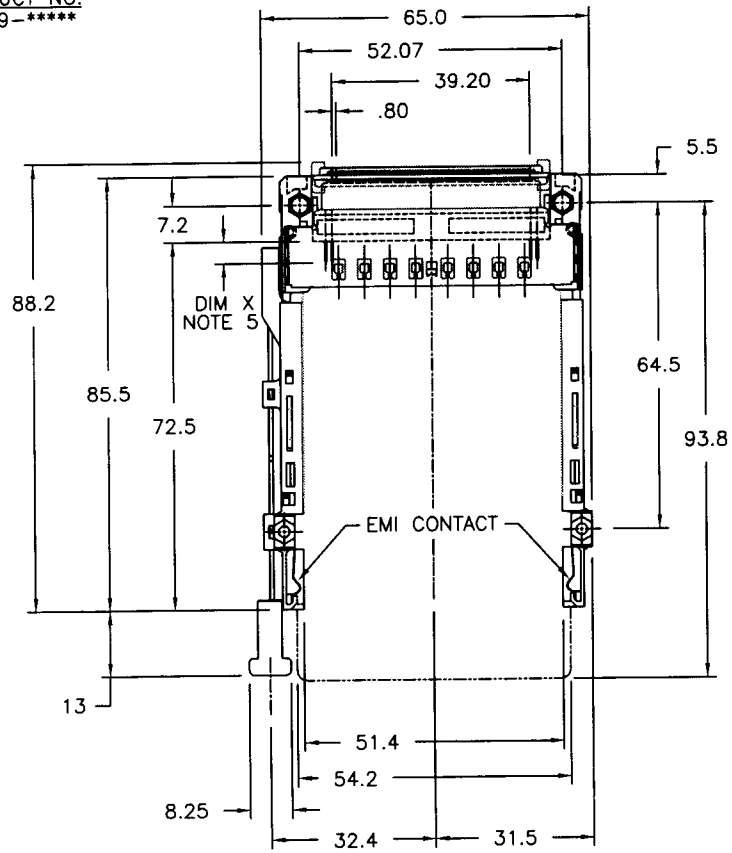
cage code  
22526

Tous droits strictement réservés. Reproduction ou communication a des tiers interdite sous quelque forme que ce soit sans autorisation écrite du propriétaire.  
 Propriété de © BERG ELECTRONICS. Droits de reproduction BERG ELECTRONICS INC.



All rights strictly reserved. Reproduction or issue to third parties in any form whatever is not permitted without written authority from the proprietor.  
 Property of © BERG ELECTRONICS Copyright BERG ELECTRONICS INC.

PRODUCT NO.  
 71299-\*\*\*\*\*



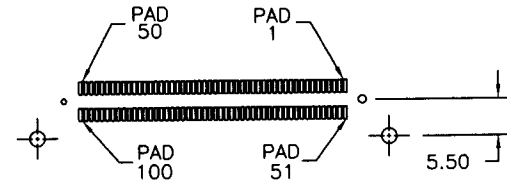
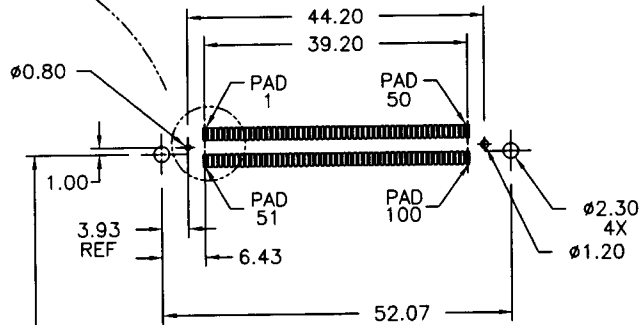
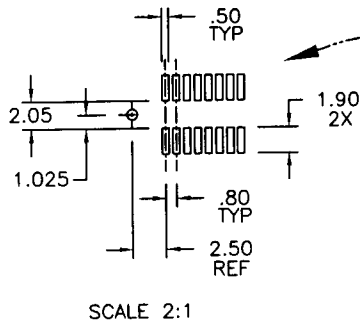
mat'l. code				tolerances unless otherwise specified		CUSTOMER COPY	<b>BERG ELECTRONICS</b>	
ltr	ecn no	dr	date	linear	.X ±.3		projection	title
H					.XX ±.13		CARDBUS SINGLE DECK ASSY SMT TYPE 123	
				angles	.XXX ±.051		product family	MCS
					0° ±2°	size	dwg no	
				dr	R.GRAPE 2/13/96	scale	71299	
				engr	D.BRANN 2/13/96	1:1	A4	
				chr	D.BRANN 2/13/96			
				appd	D.BRANN 2/13/96			
sheet index	revision sheet							

Tous droits strictement réservés. Reproduction ou communication a des tiers interdite sous quelque forme que ce soit sans autorisation écrite du propriétaire. Propriété de © BERG ELECTRONICS. Droits de reproduction BERG ELECTRONICS INC.

All rights strictly reserved. Reproduction or issue to third parties in any form whatever is not permitted without written authority from the proprietor. Property of © BERG ELECTRONICS Copyright BERG ELECTRONICS INC.



# P.C.B. LAYOUT FOR 2.2mm STANDOFF



P.C.B. LAYOUT 1  
ABOVE PCB  
AS ASSEMBLED

P.C.B. LAYOUT 2  
BELOW PCB  
AS ASSEMBLED

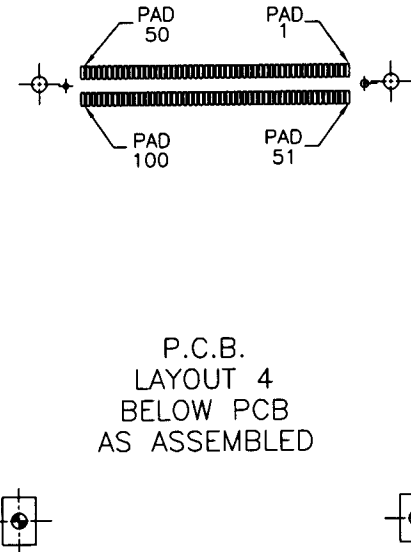
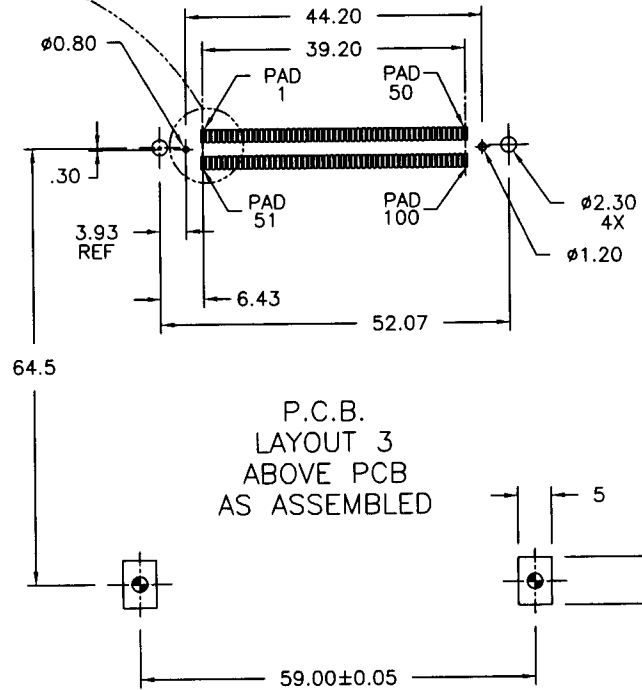
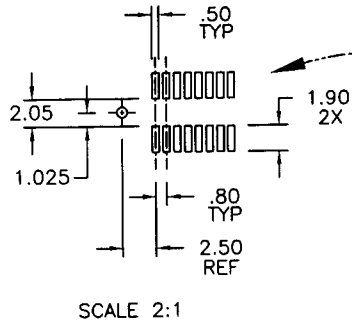
mat'l. code				tolerances unless otherwise specified		CUSTOMER COPY		<b>BERG ELECTRONICS</b>	
ltr	ecn no	dr	date	linear	.X ±.3	projection	title		
H					.XX ±.13		CARDBUS SINGLE DECK ASSY SMT TYPE 123		
				angles	.XXX ±.051		product family	MCS	code
				dr	0° ±2°	mm	size		
				enr	R.GRAPE 2/13/96	scale	A4	71299	sheet
				chr	D.BRANN 2/13/96	1:1			7 of
				appd	D.BRANN 2/13/96				
sheet index	revision sheet								

cage code  
22526

Tous droits strictement reserves. Reproduction ou communication a des tiers interdite sous quelque forme que ce soit sans autorisation écrite du propriétaire. Propriete de ©BERG ELECTRONICS. Droits de reproduction BERG ELECTRONICS INC.

All rights strictly reserved. Reproduction or issue to third parties in any form whatever is not permitted without written authority from the proprietor. Property of ©BERG ELECTRONICS Copyright BERG ELECTRONICS INC.

# P.C.B. LAYOUT FOR 4.3 AND 5.0mm STANDOFFS



mat'l. code				tolerances unless otherwise specified		CUSTOMER COPY		<b>BERG ELECTRONICS</b>	
ltr	ecn no	dr	date	linear	.X ±.3	projection	title		
H					.XX ±.13		CARDBUS SINGLE DECK ASSY SMT TYPE 123		
				angles	.XXX ±.051		product family	MCS	code
				dr	0° ±2°	mm	size	dwg no	sheet
				enr	R.GRAPE 2/13/96	scale	A4	71299	8 of
				chr	D.BRANN 2/13/96	1:1			
				appd	D/BRANN 2/13/96				
sheet index	revision sheet								

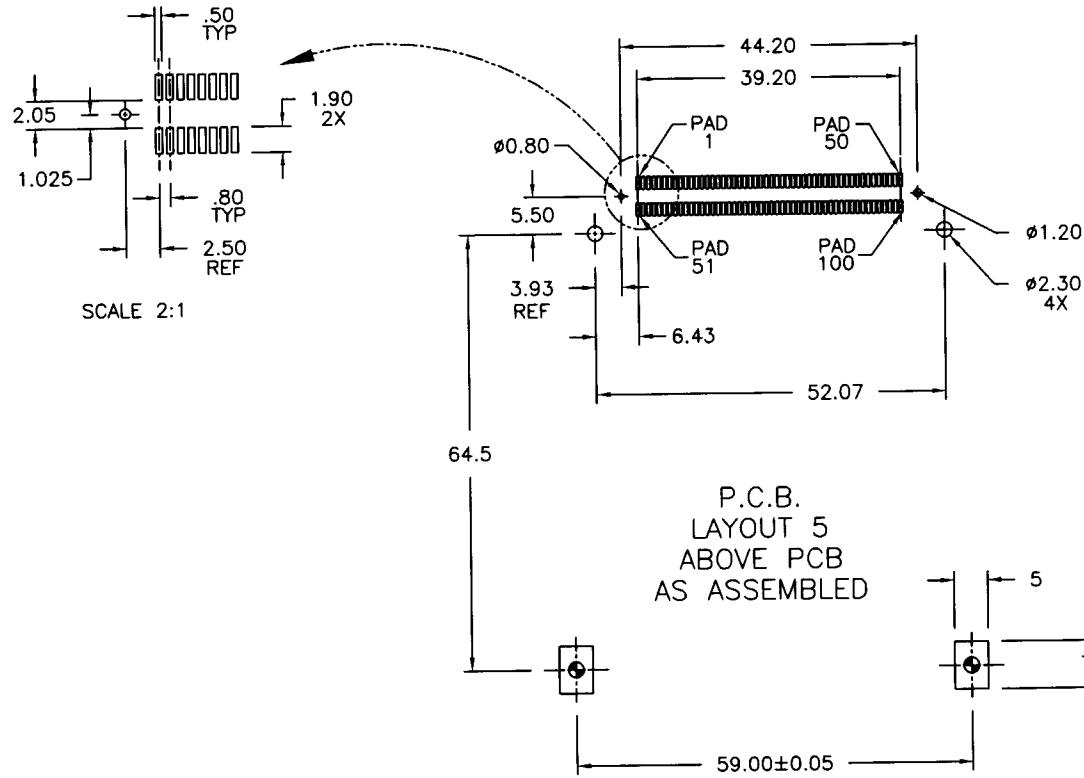
cage code 22526



Tous droits strictement reserves. Reproduction ou communication a des tiers interdite sous quelque forme que ce soit sans autorisation écrite du propriétaire.  
 Propriété de ©BERG ELECTRONICS. Droits de reproduction BERG ELECTRONICS INC.

All rights strictly reserved. Reproduction or issue to third parties in any form whatever is not permitted without written authority from the proprietor.  
 Property of ©BERG ELECTRONICS Copyright BERG ELECTRONICS INC.

# P.C.B. LAYOUT FOR 0mm STANDOFF



P.C.B.  
 LAYOUT 5  
 ABOVE PCB  
 AS ASSEMBLED

mat'l. code		tolerances unless otherwise specified		CUSTOMER COPY		<b>BERG ELECTRONICS</b>	
ltr	ecn no	dr	date	linear	.X ±.3	projection	title CARDBUS SINGLE DECK ASSY SMT TYPE 123
H					.XX ±.13		
					.XXX ±.051		
				angles	0° ±2'	mm	product family MCS
				dr	R.GRAPE 2/13/96		
				enr	D.BRANN 2/13/96	scale 1:1	size A4
				chr	D.BRANN 2/13/96		
				appd	D/BRANN 2/13/96	dwg no 71299	code —
sheet index	revision sheet						

cage code  
22526

All rights strictly reserved. Reproduction or issue to third parties in any form  
 whatever is not permitted without written authority from the proprietor.  
 Property of ©BERG ELECTRONICS Copyright BERG ELECTRONICS INC.



Tous droits strictement reserves. Reproduction ou communication a des tiers interdite  
 sous quelque forme que ce soit sans autorisation écrite du propriétaire.  
 Propriete de ©BERG ELECTRONICS. Droits de reproduction BERG ELECTRONICS INC.

HEADER PINOUT	TYPE	BTB 100 POS RECEPTACLE	HEADER PINOUT	TYPE	BTB 100 POS RECEPTACLE	SHIELD PINOUT	TYPE	BTB 100 POS RECEPTACLE
1	GND	1	35	GND	51	1	GND	4 & 54
2	SIG	2	36	DET	52	2	GND	7 & 57
3	SIG	3	37	SIG	53	3	GND	10 & 60
4	SIG	5	38	SIG	55	4	GND	13 & 63
5	SIG	6	39	SIG	56	5	GND	16 & 66
6	SIG	8	40	SIG	58	6	GND	19 & 69
7	SIG	9	41	SIG	59	7	GND	22 & 72
8	SIG	11	42	SIG	61	8	GND	25 & 75
9	SIG	12	43	SIG	62	9	GND	26 & 76
10	SIG	14	44	SIG	64	10	GND	29 & 79
11	SIG	15	45	SIG	65	11	GND	32 & 82
12	SIG	17	46	SIG	67	12	GND	35 & 85
13	SIG	18	47	SIG	68	13	GND	38 & 88
14	SIG	20	48	SIG	70	14	GND	41 & 91
15	SIG	21	49	SIG	71	15	GND	44 & 94
16	SIG	23	50	SIG	73	16	GND	47 & 97
17	PWR	24	51	PWR	74			
18	SIG	27	52	SIG	77			
19	SIG	28	53	SIG	78			
20	SIG	30	54	SIG	80			
21	SIG	31	55	SIG	81			
22	SIG	33	56	SIG	83			
23	SIG	34	57	SIG	84			
24	SIG	36	58	SIG	86			
25	SIG	37	59	SIG	87			
26	SIG	39	60	SIG	89			
27	SIG	40	61	SIG	90			
28	SIG	42	62	SIG	92			
29	SIG	43	63	SIG	93			
30	SIG	45	64	SIG	95			
31	SIG	46	65	SIG	96			
32	SIG	48	66	SIG	98			
33	SIG	49	67	DET	99			
34	GND	50	68	GND	100			

NOTES:

- 8mm MIN CARD EJECT.
- EJECT TRAVEL: 9.5mm
- MATERIAL:
  - HEADER ASSY:  
 PLASTIC HOUSING: LCP UL94V-0 BLACK - ABOVE PCB  
 LCP UL94V-0 NATURAL (WHITE) - BELOW PCB  
 PIN: PHOSPHOR BRONZE  
 PCB: FR4
  - EJECT MECHANISM ASSY:  
 PLASTIC GUIDE: POLYPHTHARAMID UL94V-0 BLACK  
 PLASTIC PUSH-ROD BUTTON: POLYPHTHARAMID UL94V-0 BLACK  
 COVER PLATE, LINK ARM,  
 PUSH ROD: STAINLESS STEEL  
 EMI CONTACT: PHOSPHOR BRONZE
  - .8 BTB RECEPTACLE: 73277-101000  
 PLASTIC: LCP 94V-0 BLACK  
 CONTACT: BeCu
- FINISH (PIN)  
 UNDER PLATING: 0.5um MIN Ni  
 CONTACT AREA: 0.1um MIN GOLD OVER  
                   0.5um MIN Pd-Ni  
 SOLDER TAIL: 2.5umMIN Sn-Pb
- DIM "X"
 

4.25±0.1	3.5±0.1	5.0±0.1
OTHERS	36,67	1,17,34,35,51,68
- RECOMMENDED SCREW TORQUE: 1.0 TO 1.5 MAX in-lbs. (1.2-1.7 cm-kgs).  
 RECOMMENDED HOLD-DOWN 2mm SCREWS (95121)  
 AND HEX NUTS (92869-001).

mat'l. code				tolerances unless otherwise specified		CUSTOMER COPY			
ltr	ecn no	dr	date	linear	.X ±.3	projection	title		
G					.XX ±.13		CARDBUS SINGLE DECK ASSY SMT TYPE 123	product family MCS	
				angles	.XXX ±.051			mm	size
				dr	R.GRAPE 2/13/96		A4	71299	sheet 10 of
				enrg	D.BRANN 2/13/96				
				chr	D.BRANN 2/13/96				
				appd	D.BRANN 2/13/96				
sheet index	revision sheet					scale 1:1			