

RED IS ORIGINAL

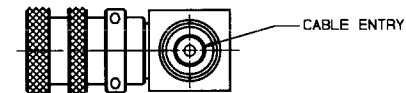
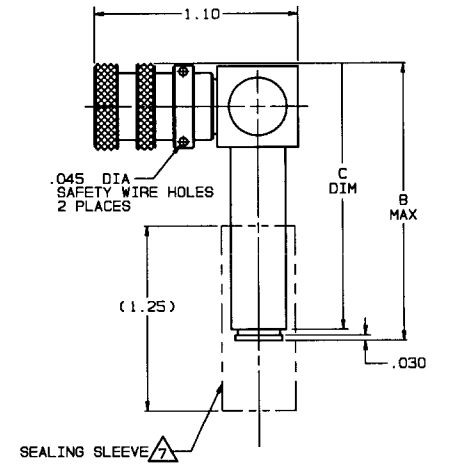
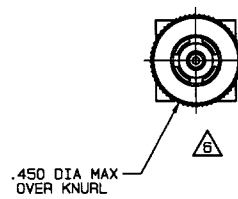
DISK # DWG SIZE  
K 3 C  
DATA CONTAINED IN THIS DOCUMENT IS PROPRIETARY TO TROMPETER ELECTRONICS INC. AND SHALL NOT BE DISCLOSED, COPIED OR USED FOR PROCUREMENT OR MANUFACTURE WITHOUT EXPRESS WRITTEN PERMISSION.

| REVISIONS |       |  | 310-0069 | SH 1               |         |
|-----------|-------|--|----------|--------------------|---------|
| REV       | EO    | DESCRIPTION  | DWN      | APPROVED           | DATE    |
| E         | 10055 | SH1: PICTORIALY REVISED SEALING SLEEVE; GENERAL UPDATE<br>SH2: SEE ECO | DKg      | <i>[Signature]</i> | 12/4/92 |

| DASH NO | MODEL NO   | CENTER CONTACT/INTMO CONTACT TYPE |
|---------|------------|-----------------------------------|
| -1      | PLR3455ACP | SOCKET/PIN                        |
| -2      | PLR3455ACS | PIN/SOCKET                        |

| CABLE GROUP NO | CABLES ACCOMMODATED    | A HEX | B MAX | C DIM | ASSEMBLE PER |
|----------------|------------------------|-------|-------|-------|--------------|
| -201           | M17/176-00002          | .255  | 1.60  | 1.43  | TAI-170      |
| -202           | TWC-78-1, TROMPETER    |       |       |       |              |
| -203           | TWC-124-1A, TROMPETER  |       |       |       |              |
| -204           | 10B02, RAYCHEM         |       |       |       |              |
| -205           | TWAC-78-1F2, TROMPETER |       |       |       |              |
| -206           | 782600130, RAYCHEM     |       |       |       |              |
| -208           | 202-3927, MICRODOT     |       |       |       |              |
| -209           | 202-3942, MICRODOT     |       |       |       |              |
| -212           | 2524E0114, RAYCHEM     |       |       |       |              |
| -217           | GC875TM24H, GRUMMAN    |       |       |       |              |
| -218           | EPD221888, RAYCHEM     |       |       |       |              |
| -219           | 252601114, RAYCHEM     |       |       |       |              |
| -220           | GC875RR1, GRUMMAN      |       |       |       |              |
| -221           | 10B14, RAYCHEM         | .344  | 1.88  | 1.49  | TAI-186      |
| -222           | 10B13, RAYCHEM         |       |       |       |              |
| -223           | HMS2-1149, HUGHES      |       |       |       |              |
| -303           | 1059B, RAYCHEM         |       |       |       |              |

| INCH | MM    |
|------|-------|
| .005 | 0.13  |
| .03  | 0.76  |
| .045 | 1.14  |
| .255 | 6.48  |
| .450 | 11.43 |
| 1.10 | 27.94 |
| 1.25 | 31.75 |
| 1.43 | 36.32 |



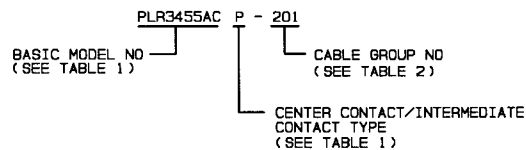
-1 -201 SHOWN

⚠ STRAIN RELIEF SUPPLIED LOOSE WITH -303 ONLY

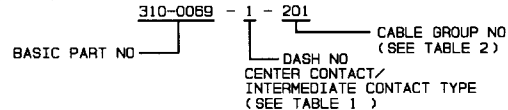
⚠ SEALING SLEEVE & CRIMP BUSHING SUPPLIED LOOSE WITH EACH CONNECTOR EXCEPT SEALING SLEEVE NOT USED ON -205, -208 & -223

⚠ BOTTOM PORTION NOT SHOWN FOR CLARITY

5. EXAMPLE OF COMPLETE MODEL NO:



4. EXAMPLE OF COMPLETE PART NO:



3. CONCENTRIC TWINAX 4 PIECE ASSY, RIGHT ANGLE FULL CRIMP CABLE PLUG, SOCKET CENTER CONTACT AND PIN INTERMEDIATE CONTACT OR PIN CENTER CONTACT AND SOCKET INTERMEDIATE CONTACT

2. FINISH: TFS-1U (500 HR SALT SPRAY), NICKEL

1. ALL DIM ARE IN INCHES

| QTY  | DESCRIPTION                 |         | PART NUMBER   | ITEM         |
|--|-----------------------------|---------|---------------|--------------|
| TOL UNLESS SPECIFIED<br>.XX ± .03<br>.XXX ± .005<br>.XXXX ± .001<br>ANGLES ± | TROMPETER ELECTRONICS, INC. |         | PLR3455AC/P/S |              |
| DWN  | DKg                         | 12/2/92 | MATERIAL      | CODE IDENT   |
| CHK  | DKg                         | 12/3/92 | 14949         | DRAWING NO.  |
| ENGR   | DKg                         |         | 310-0069      | REV          |
| APPR   | DKg                         | 12/3/92 | SCALE 2/1     | DATE 11/4/88 |
| NEXT ASSY  |                             |         |               | SHEET 1 OF 2 |