



# Series 700 Elevator Strip-Line Sockets with Bifurcated Contacts

## FEATURES:

- For elevated mounting of LCDs and other odd-centered or high pin count components.
- Any height from .360 to 2.000 [9.14 to 50.80].
- Optional spacer available for mounting on .300 [7.62], .600 [15.24], .900 [22.86], 1.100 [27.94], and 1.300 [33.02] centers. Consult factory for other sizes.

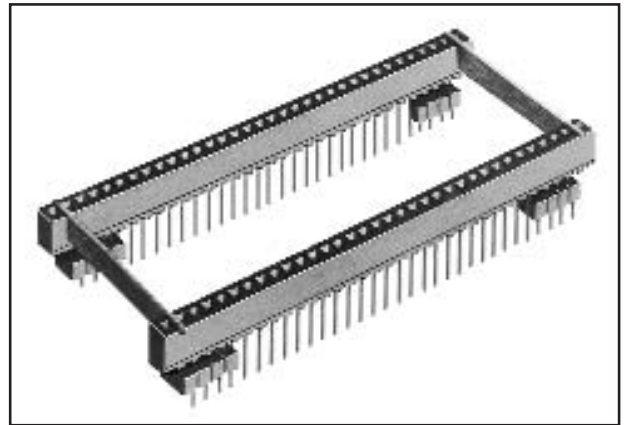
## SPECIFICATIONS:

- Body is black UL 94-V0 Glass-filled 4/6 Nylon.
- Pin is Grade A Phosphor Bronze per QQ-B-750.
- Optional spacer is FR-406, .032 [.81] thick.
- Pin plating is
  - 11 = 10μ [ .25μm] min. Gold per MIL-G-45204 over 50μ [1.27μm] min. Nickel per SAE-AMS-QQ-N-290.
  - 10 = 200μ" min. Matte Tin per ASTM B545-97 over 50μ" min Nickel per SAE-AMS-QQ-N-290.
  - 10TTL = 200μ" min. 90/10 Tin/Lead per MIL-T-10727 Type 1 over 50μ" min Nickel per SAE-AMS-QQ-N-290.
- Current rating=1.5 Amp.
- Operating temperature= -67°F to 221°F [-55°C to 105°C] Tin & Tin/Lead plating, = -67°F to 257°F [-55°C to 125°C] Gold.

- Insertion Force=110 grams/pin average; Withdrawal Force=75 grams/pin average.
- Accepts flat leads up to .014 x .020 wide [.36-.51], round leads up to .020 [.51] in diameter.
- Socket accepts lead lengths from seating plane .080-.160 [2.03-4.06].

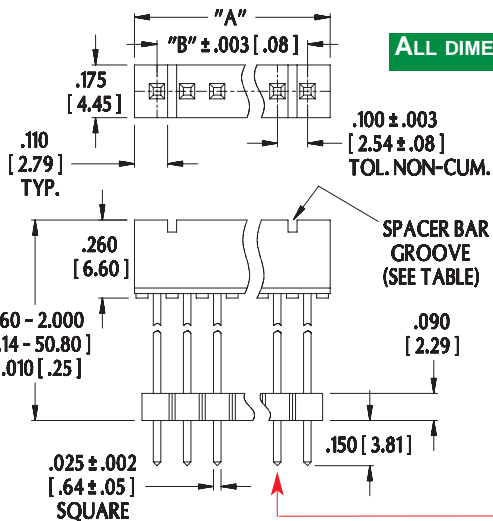
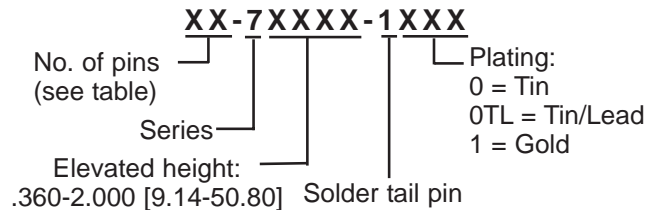
## MOUNTING CONSIDERATIONS:

- Suggested PCB hole size=.045 ± .002 [1.14 ± .05] dia.
- "A"=(NO. OF PINS X .100 [2.54]) + .050 [1.27]
- "B"=(NO. OF PINS PER ROW - 1) X .100 [2.54]



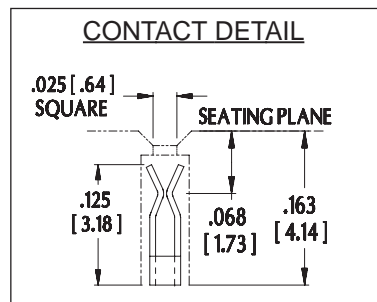
Note: Aries specializes in custom design and production. In addition to the standard products shown on this page, special materials, platings, sizes, and configurations can be furnished, depending on quantities. Aries reserves the right to change product specifications without notice.

## ORDERING INFORMATION

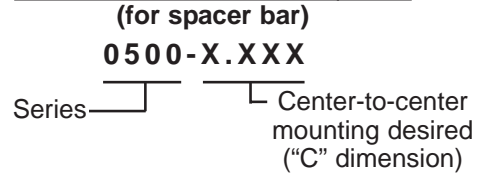


ALL DIMENSIONS: INCHES [MILLIMETERS]

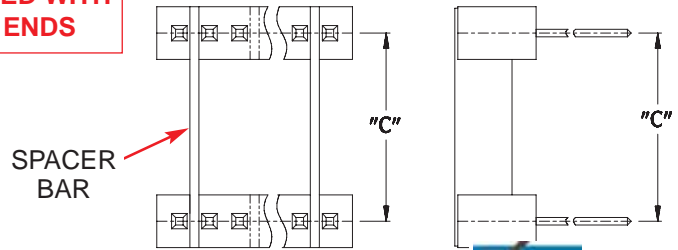
All tolerances ± .005 [.13] unless otherwise specified



## ORDERING INFORMATION



PINS MAY BE SUPPLIED WITH CUT ENDS



Other sizes available. Consult factory.

No. of Pins	No. of Grooves
20	2
25	2
30	2
34	3
40	2



NORTH AMERICA  
 Frenchtown, NJ USA  
 TEL: (908) 996-6841  
 FAX: (908) 996-3891



EUROPE  
 TEL: +44 870 240 0249  
 FAX: +44 871 919 6033  
 europe@arieselec.com



12010 REV.E