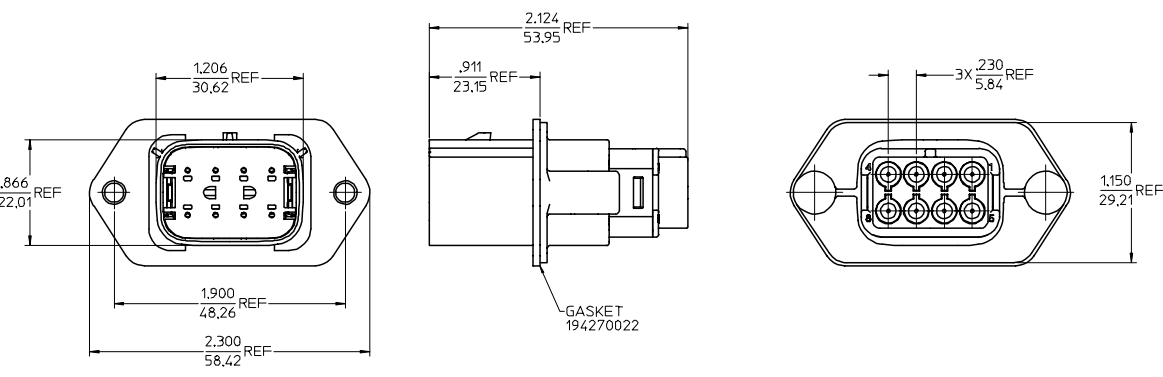
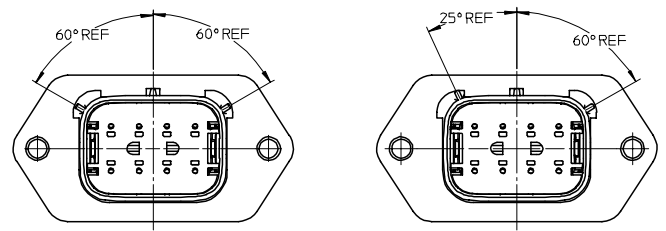
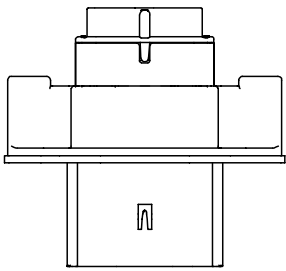
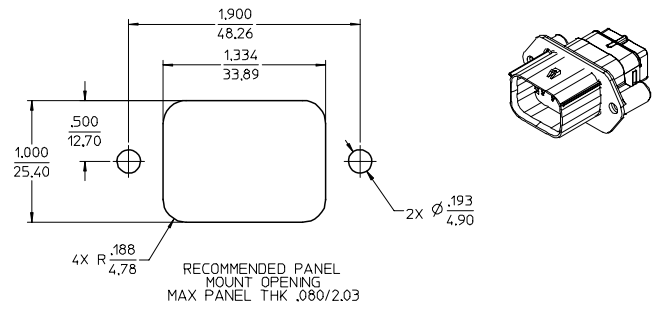


MATERIAL NUMBER	WIRE GAGE	GASKET	KEYING OPTION	COLOR
194350811	16-14	YES	A	BLACK
194350812	22-18	YES	A	BLACK
194350813	16-14	NO	A	BLACK
194350814	22-18	NO	A	BLACK
194350816	16-14	YES	B	GRAY
194350817	22-18	YES	B	GRAY
194350818	16-14	NO	B	GRAY
194350819	22-18	NO	B	GRAY
194350821	16-14	YES	C	BROWN
194350822	22-18	YES	C	BROWN
194350823	16-14	NO	C	BROWN
194350824	22-18	NO	C	BROWN
194350826	16-14	YES	D	GREEN
194350827	22-18	YES	D	GREEN
194350828	16-14	NO	D	GREEN
194350829	22-18	NO	D	GREEN



NOTES:

- MATERIALS:
HOUSING: POLYESTER (PB7). GLASS FILLED. UL94 V-0.
COLOR: SEE CHART.
SEAL & GASKET: SILICONE RUBBER.
- PRODUCT SPECIFICATION: PS-19417-001.
- PACKAGING SPECIFICATION: PK-19419-001.
- MATES WITH 19418 SERIES RECEPTACLE ASSEMBLIES.
- RECOMMENDED MOUNTING HARDWARE: (2) #10 X .62/18.9 LONG PLASTIC THREAD CUTTING SCREWS. RECOMMENDED TORQUE 15-17 IN-LBS. SUGGESTED SOURCE: ITW SHAKEPROOF INDUSTRIAL BOSSCREW OR EQUIVALENT.

NEW PRODUCT IEC NO. ETC 2005-0228 DRAWN: JPAML/CK 2005/06/28 CHKCD: JPAML/CK 2005/06/28 APPR: RDEROSS 2005/06/28	QUALITY SYMBOLS	GENERAL TOLERANCES (UNLESS SPECIFIED)	DIMENSION STYLE	SCALE	DESIGN UNITS	THIRD ANGLE PROJECTION										
	$\nabla=0$ $\nabla=0$	<table border="1"> <tr><th>mm</th><th>INCH</th></tr> <tr><td>4 PLACES ± .015</td><td>± .0005</td></tr> <tr><td>3 PLACES ± .015</td><td>± .0005</td></tr> <tr><td>2 PLACES ± 0.38</td><td>± .015</td></tr> <tr><td>1 PLACE ± .015</td><td>± .0005</td></tr> </table>	mm	INCH	4 PLACES ± .015	± .0005	3 PLACES ± .015	± .0005	2 PLACES ± 0.38	± .015	1 PLACE ± .015	± .0005	IN/MM	2:1	INCH	THIRD ANGLE PROJECTION
	mm	INCH														
	4 PLACES ± .015	± .0005														
3 PLACES ± .015	± .0005															
2 PLACES ± 0.38	± .015															
1 PLACE ± .015	± .0005															
DESCRIPTION	ANGULAR ± 2°	DRAFT WHERE APPLICABLE MUST REMAIN WITHIN DIMENSIONS	DRAWN BY: JPAML/CK DATE: 02/09/05 CHECKED BY: DATE: APPROVED BY: RDEROSS DATE: 02/11/05	TITLE: 8 WAY SEALED PLUG PANEL MOUNT ASSEMBLY, 22-14 AWG, A-D POLARIZATION MOLEX INCORPORATED												
REV	MATERIAL NO.	SEE CHART	DOCUMENT NO.	SHEET NO.												
A	SD-19435-008	THIS DRAWING CONTAINS INFORMATION THAT IS PROPRIETARY TO MOLEX INCORPORATED AND SHOULD NOT BE USED WITHOUT WRITTEN PERMISSION	1 OF 1													