

# PAM8001

## Anti-Saturation Filterless 2W Class-D Stereo Amplifier with DC VolumeControl and Max Output Power Setting

### Key Features

- 2W Output at 1% THD with a 4Ω Load at 5V Power Supply
- Filterless, Low Quiescent Current and Low EMI
- Low THD+N
- 64-step DC Volume Control
- Unique Anti-Saturation Function
- Adjustable Max Output Power with No Clipping
- Superior Low Noise
- Low Pop Noise
- Efficiency up to 90%
- Short Circuit Protection
- Thermal Shutdown
- Few External Components to Save the Space and Cost
- Pb-Free Package

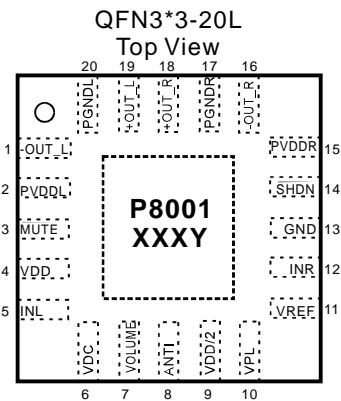
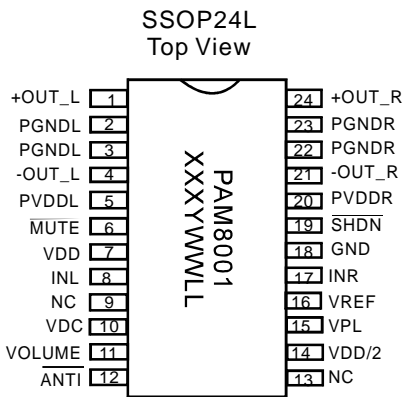
### Applications

- LCD Monitors / TV Projectors
- Notebook Computers
- Portable Speakers
- Portable DVD Players, Game Machines
- VoIP/Speaker Phones
- All in one computer /TV

### Ordering Information

Part Number	Package Type
PAM8001NHR	SSOP-24L
PAM8001XHR	QFN3*3-20L

### Pin Configuration



### Typical Application Circuit

