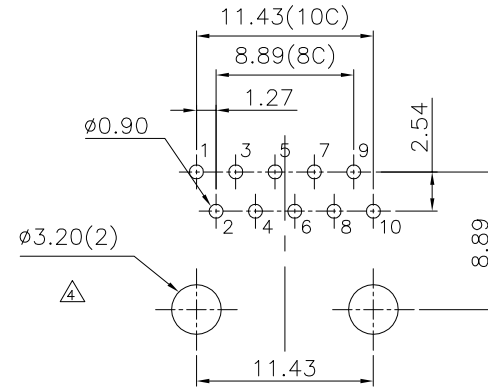
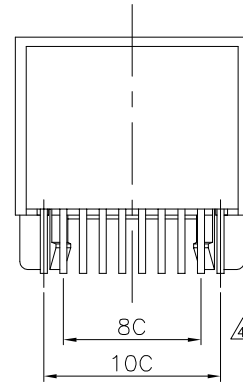
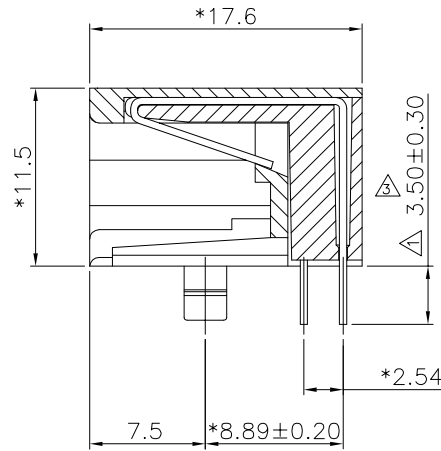
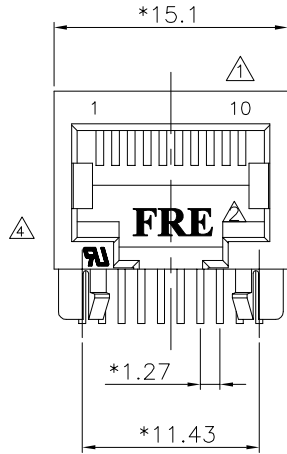


REVISION RECORD				
REV	ECO	DESCRIPTION	DRFT	CHKD
△		3.70±0.3 was 2.70±0.2	7/4/'98 BASS	
△		ADD PART NUMBER	09/09/02 SAMMY	
△		Design Modify	Syngie 6/04/2003	
△		Design Modify	YuMei 7/06/2004	
△		ADD PART NUMBER	08/12/04 SHE	
△		MODIFY PART NUMBER	08/12/04 SHE	
△		ADD PART NUMBER	YAN 11/11/04	
△		ADD PART NUMBER	CXO 05/11/05	



PC Board Layout t = 1.60mm

Component Side Shown

NOTES:

ELECTRICAL:

- VOLTAGE RATING : 125 VAC RMS.
- CURRENT RATING : 1.5 AMP.
- CONTACT RESISTANCE : 30 MILLIOHMS MAX.
- INSULATION RESISTANCE: 1000 MEGOHMS MIN @ 500 VDC. △
- DIELECTRIC STRENGTH : 1000 VAC RMS 60HZ, 1MIN.

MECHANICAL:

- HOUSING MATERIAL : GLASS FILLED POLYESTER UL94V-0.
- CONTACT MATERIAL : PHOSPHOR BRONZE ϕ 0.46mm.
- PLATING : GOLD PLATING OVER NICKEL.
- OPERATING LIFE : 750 CYCLES MIN.
- PCB RETENTION PRE-SOLDER : 1 LB MIN.
- PCB RETENTION POST-SOLDER: 10 LBS MIN.

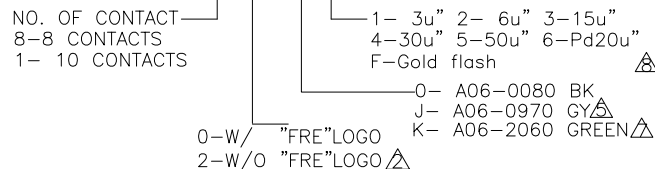
ENVIRONMENTAL:

- STORAGE : -40°C TO +85°C.
- OPERATION: -40°C TO +85°C. △

MATES WITH MODULAR PLUG CONFORMING TO FCC PART 68, SUBPART F.

CUL FILE NO. E163191

PART NUMBER: E560X-X00X6X



<p>← MM (INCH) →</p> <p>TOLERANCES EXCEPT AS NOTED</p>		<p>DFTO BASS DATE 5/25/'98</p> <p>CHKD DATE</p> <p>MFO DATE</p> <p>APPVL XLF DATE 05/16/05</p>		<p>FULL RISE ELECTRONIC CO., LTD</p>	
<p>DETACHED LISTS</p> <p>MM ±</p> <p>.0 ±0.2 ±</p> <p>.00 ±0.15 ±</p> <p>.000 ±0.075 ±</p> <p>ANGLES ± 0.5</p> <p>THIRD ANGLE PROJECTION</p>		<p>QT'Y :</p> <p>FINISH :</p> <p>SCALE : 3 : 1</p>		<p>TITLE</p> <p>11.5 SIDE ENTRY PCB GANG JACK 10P</p> <p>DRAWING NO. GE563046 SIZE REV A3 8</p> <p>/PART NO. SEE NOTE</p> <p>DO NOT SCALE DRAWING SHEET 1 OF 1</p>	