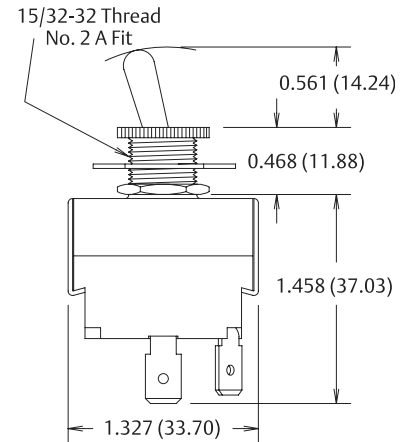
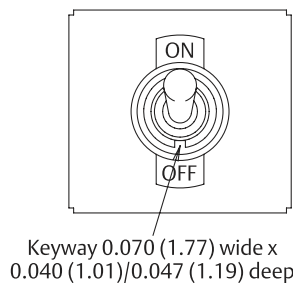


McGILL® 0140 Series 3 and 4 Pole Toggle Switches



Specifications

- UL recognized
 - 17A, 277VAC
 - 1 HP, 125VAC
 - 2 HP, 250VAC
 - 1, 2 or 3 Phase
- CSA certified
 - 17A, 125-277VAC
 - 1 HP, 125VAC
 - 2 HP, 250VAC
 - 1, 2 or 3 Phase



Approximate dimensions in inches and (millimeters).

Construction

- .250 x .032 spade, solder and screw terminals.
- 14-gauge wire leads are also available. Consult factory for other circuits or custom designs.
- Available with rubber “O” ring to resist moisture or splashing liquids.

Circuit Arrangement			THREE POLE TOGGLE SWITCHES				FOUR POLE TOGGLE SWITCHES			
			Poles	Cat. No.			Poles	Cat. No.		
A	B	C		Screw Terminal	Solder Terminal	.250 Spade Terminal		Screw Terminal	Solder Terminal	.250 Spade Terminal
on	—	off	3PST	*0140-3020	*0140-3010	*0140-3000	4PST	*0140-4020	*0140-4010	*0140-4000
(on)	—	off	3PST	0140-3021	0140-3011	0140-3001	4PST	0140-4021	0140-4011	0140-4001
on	—	(off)	3PST	0140-3022	0140-3012	0140-3002	4PST	0140-4022	0140-4012	0140-4002
on	off	on	3PDT	0140-3023	0140-3013	0140-3003	4PDT	0140-4023	0140-4013	0140-4003
on	—	on	3PDT	0140-3024	0140-3014	0140-3004	4PDT	0140-4024	0140-4014	0140-4004
on	—	(on)	3PDT	0140-3025	0140-3015	0140-3005	4PDT	0140-4025	0140-4015	0140-4005
on	off	(on)	3PDT	0140-3026	0140-3016	0140-3006	4PDT	0140-4026	0140-4016	0140-4006
(on)	off	(on)	3PDT	0140-3027	0140-3017	0140-3007	4PDT	0140-4027	0140-4017	0140-4007

() Momentary * Indicating plate supplied with On-Off circuit only.