

MICRO SWITCH
 FREEPORT ILLINOIS U.S.A.
 A DIVISION OF HONEYWELL
 FED. MFG. CODE 91929

SWITCH-TOGGLE

CATALOG LISTING
2TL256 SERIES

CHART 2

THIS DRAWING COVERS A PROPRIETARY ITEM AND IS THE PROPERTY OF MICRO SWITCH, A DIVISION OF HONEYWELL. THIS DRAWING IS NOT TO BE COPIED OR USED WITHOUT THE APPROVAL OF MICRO SWITCH.

CATALOG LISTING
 △6

AVAILABLE LOCKING COMBINATIONS FOR CONFIGURATION SEE LETTERING DETAILS

△7 WITH TOGGLE LEVER IN
 KEYWAY SIDE (1-2,4-5) CENTER (1-2,4-5) OPPOSITE KEYWAY (2-3,5-6)

CURRENT CAPACITY (AMPS)
 RESISTIVE LOAD DC VOLTS AC VOLTS LAMP LOAD 28 VDC 125 VAC IND. LOAD 28 VDC 125 VAC

2TL256-1	AB,DE,FG,H,J,K,L,M,NP	ON	OFF	ON
2TL256-2	D,F,G	OFF	NONE	ON
2TL256-3	D,F,G	ON	NONE	ON
2TL256-2I	E,F,K,M	NONE	OFF	ON
2TL256-3I	E,F,K,M	NONE	ON	ON
2TL256-4	F	MOM OFF	NONE	ON
2TL256-5	E,F,K,L,M,N	MOM ON	OFF	ON
2TL256-6	F	MOM ON	NONE	OFF
2TL256-7	E,L,N	MOM ON	OFF	MOM ON
2TL256-8	F	MOM ON	NONE	ON
2TL256-5I	E	NONE	ON	MOM ON
2TL256-6I	E	MOM ON	OFF	NONE

20	.75	.5	15	6	7	4	15	15
18	.75	.5	11	6	5	2	10	8

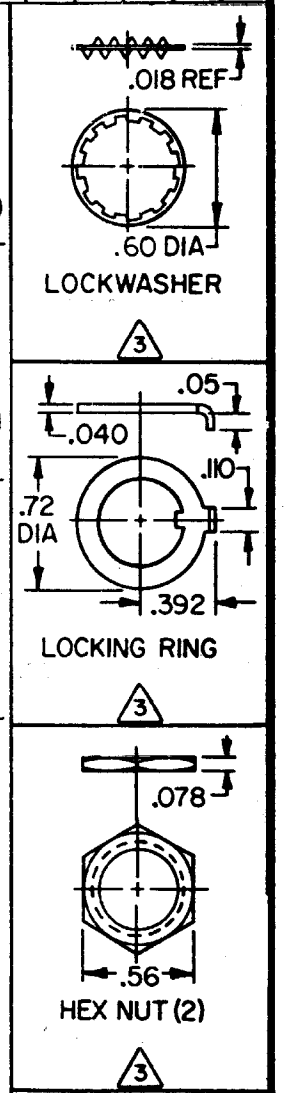
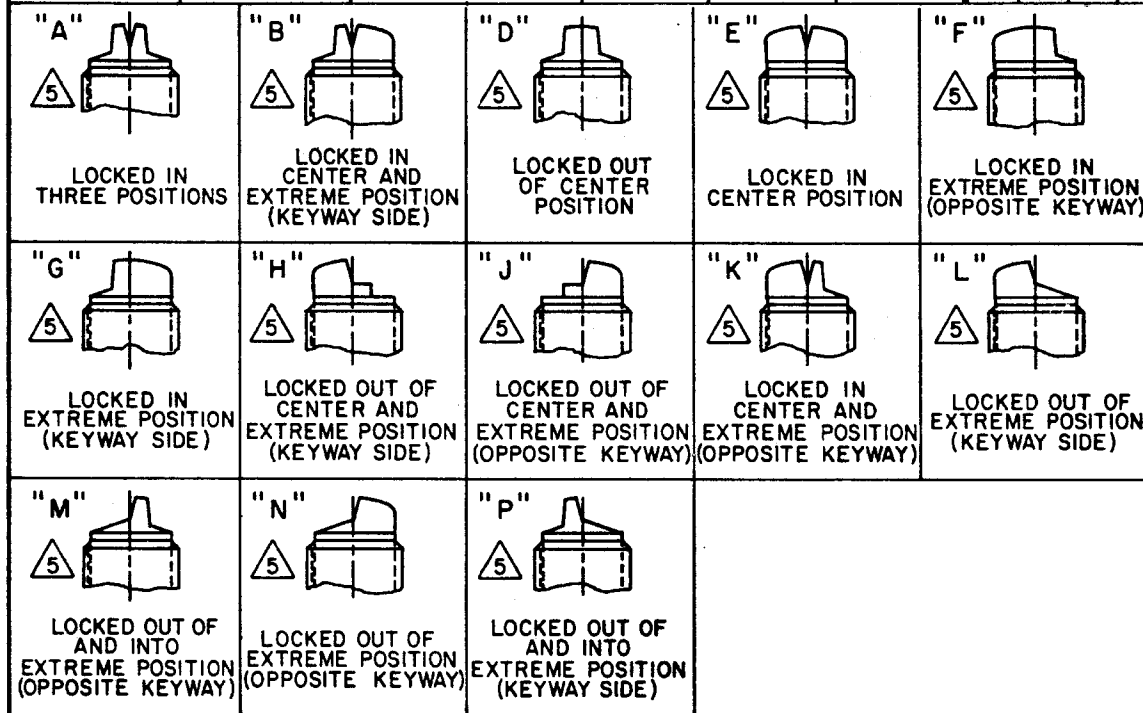
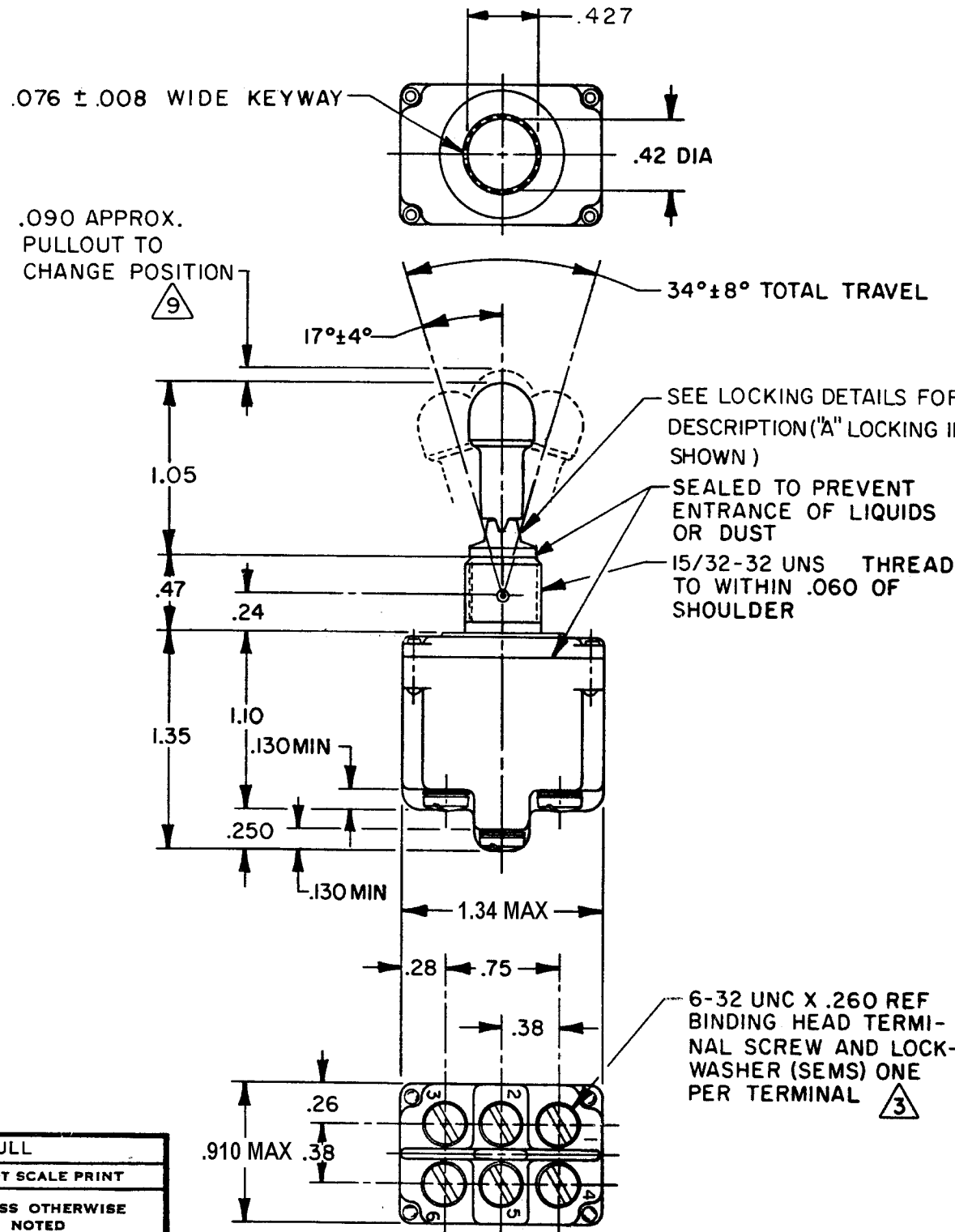
2TL256 SERIES
 CHART 2

M DRAWING NUMBER
 16

REVISIONS

A	PR 8980	04 FEB 04
D	J S	11 JUN 80
B	CO49070	16 MAY 81
C	CO-50486	13 NOV 81
D	CO-59379	16 MAY 86
E	CO74798	23 APR 93
F	CO-78047	23 AUG 94
G	0003086	04 FEB 04

FO-32851-A
 DRAWN
 D J S
 JUN 80



- NOTES
- SWITCHES ARE CAPABLE OF WITHSTANDING A TEMPERATURE OF 160°F CONTINUOUSLY AT FULL RATED LOAD
 - CIRCUIT DESIGNATION AND MICRO SWITCH CATALOG LISTING MARKED ON SIDE OF SWITCH FURNISHED UNASSEMBLED
 - FOR TERMINAL COVER SEE MICRO CATALOG LISTING 5PA8
 - KEYWAY SHOWN ON LEFT SIDE SUFFIX LETTER MUST BE ADDED FOR DESIRED TYPE OF TOGGLE LOCKING. SEE CHART FOR AVAILABLE LOCKING COMBINATIONS
 - APPLIES ONLY TO "ON" AND "MOMENTARY ON" POSITIONS SWITCHES WILL REMAIN FUNCTIONAL AFTER BEING SUBJECTED TO THE HIGH IMPACT MECHANICAL SHOCK REQUIREMENTS OF MIL-S-901 GRADE A, SUBASSEMBLY CLASS 1, LIGHTWEIGHT, TYPE C
 - PULLOUT FORCE IS 5.5 TO 8 POUNDS
 - THESE SWITCHES ARE SIMILAR TO SWITCHES QUALIFIED UNDER MIL-S-3950

SCALE FULL
 DO NOT SCALE PRINT
 UNLESS OTHERWISE NOTED
 DIMENSIONS ARE IN INCHES
TOLERANCES ARE:
 ONE PLACE (.01) ± .030
 TWO PLACE (.00) ± .018
 THREE PLACE (.000) ± .005
 ANGLES
 WEIGHT .15 LB APPROX