

# Bus System: Cable Assemblies

## Product Specifications

<p><b>MECHANICAL</b>  <b>INSERT MATERIAL:</b> PVC  <b>MOLDED BODY MATERIAL:</b> PVC  <b>CONTACT MATERIAL:</b> BRASS  <b>CONTACT PLATING:</b> GOLD - 5<math>\mu</math> IN. (MIN)  PALLADIUM/NICKEL - 20<math>\mu</math> IN. (MIN)  <b>COUPLING NUT MATERIAL:</b> ZINC DIECAST, EPOXY-COAT  ALSO AVAILABLE IN STAINLESS STEEL  <b>CABLE TYPE(S):</b> DEVICENET™ TRUNK - PVC, 2 SHIELDED PAIRS (15 AWG POWER, 18 AWG DATA) WITH 18 AWG COPPER DRAIN  DEVICENET (DROP) - PVC, 2 SHIELDED PAIRS (22 AWG POWER, 24 AWG DATA) WITH 22 AWG COPPER DRAIN  SDS™ TRUNK- PVC, 2 SHIELDED PAIRS (16 AWG POWER, 20 AWG DATA ) WITH 20 AWG COPPER DRAIN  SDS DROP - PVC, 2 SHIELDED PAIRS (22 AWG POWER, 22 AWG DATA) WITH 22 AWG COPPER DRAIN  SERIPLEX™ TRUNK - PVC, 4 WIRES (2X16 AWG, 2X22 AWG) WITH OVERALL SHIELD AND 22 AWG COPPER DRAIN.  SERIPLEX DROP - PVC, 4 WIRES (2X18 AWG, 2X22 AWG) WITH OVERALL SHIELD AND 22 AWG COPPER DRAIN  <b>CABLE DIAMETERS:</b>  DEVICENET TRUNK - 0.48"  DEVICENET DROP - 0.27"  SDS TRUNK - 0.41"  SDS DROP - 0.29"  SERIPLEX TRUNK - 0.36"  SERIPLEX DROP - 0.29"</p>	<p><b>ELECTRICAL</b>  <b>VOLTAGE RATING:</b> DEVICENET - 300V  SDS - 150V  SERIPLEX - 300V  <b>CURRENT RATING:</b> DEVICENET TRUNK - 8A  DEVICENET DROP - 1.5A  SDS TRUNK - 8A  SDS DROP - 3A  SERIPLEX TRUNK - 8A  SERIPLEX DROP - 3A  <b>CONTACT RESISTANCE:</b> <math>\leq 5m\Omega</math> (AFTER 100 MATE/UNMATE CYCLES - PER MIL STD. 1344, 3004.1)  <b>ISOLATION RESISTANCE:</b> <math>\geq 1000M\Omega</math>  <b>ENVIRONMENTAL PROTECTION:</b> IP 68, NEMA 6P - PER NEMA STD. 250  <b>AMBIENT OPERATING TEMPERATURE:</b> -20°C TO +80°C  <b>CORROSION RESISTANCE:</b> 500 HOUR SALT SPRAY - PER MIL STD. 202F  <b>VIBRATION RESISTANCE:</b> 10-500Hz @ 10g - PER MIL STD. 202F, 204D CONDITION A  <b>HIGH PRESSURE WATER SPRAY:</b> 1000 PSI  <b>CERTIFICATIONS</b>  UL: UL RECOGNIZED, FILE NO. E46237  CSA: CSA CERTIFIED, FILE NO. LR6837  VDE: SPACINGS TO VDE 0110 GROUP C (250VAC/300VDC)</p>
--	---

## BUS SYSTEM CABLE ASSEMBLY MATRIX

<b>DN</b>	<b>9</b>	<b>1</b>	<b>A</b>	<b>0010</b>
-----------	----------	----------	----------	-------------

### SELECT PREFIX

DN = DEVICENET TRUNK  
DND = DEVICENET DROP  
SDS = SDS TRUNK  
SDSD = SDS DROP  
APC = SERIPLEX TRUNK  
APCD = SERIPLEX DROP

### SELECT FEMALE CONNECTOR

0 = NO CONNECTOR  
1 = STRAIGHT  
9 = 90°

### SELECT MALE CONNECTOR

0 = NO CONNECTOR  
1 = STRAIGHT  
9 = 90°

### SELECT COUPLER MATERIAL

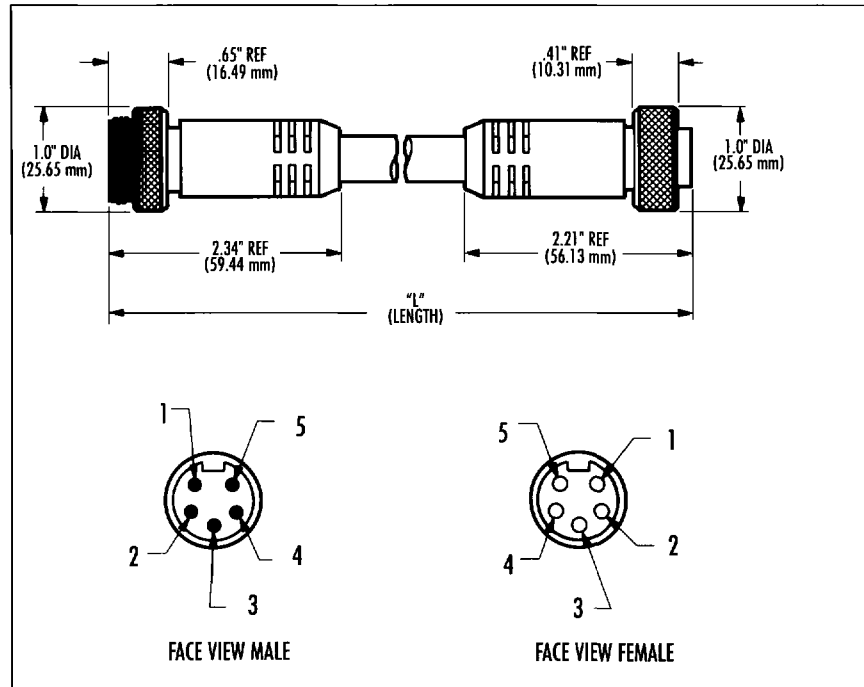
A = ZINC DIECAST EPOXY-COAT  
SS = STAINLESS STEEL

### SELECT CABLE LENGTH

XXXX = LENGTH IN FEET  
0005 = 0.5 FT.  
0010 = 1.0 FT.  
0060 = 6.0 FT.  
ETC.

Example: DN91A-0010 is a DeviceNet trunk cable assembly with 90° female connector, straight male connector, zinc diecast epoxy-coat coupling nuts and 1 ft. cable.

# Bus System: Cable Assemblies



CABLE ASSEMBLY PIN OUTS/COLOR CODE (FUNCTION)

PIN #	DEVICENET™	SDS™	SERIPLEX™
1	BARE WIRE (SHIELD)	BARE WIRE (SHIELD)	BARE WIRE (SHIELD)
2	RED (V+)	BROWN (V+)	RED (V+)
3	BLACK (V-)	BLUE (V-)	BLACK (V-)
4	WHITE (DATA +)	BLACK (DATA +)	GREEN (CLOCK)
5	BLUE (DATA -)	WHITE (DATA -)	WHITE (DATA)