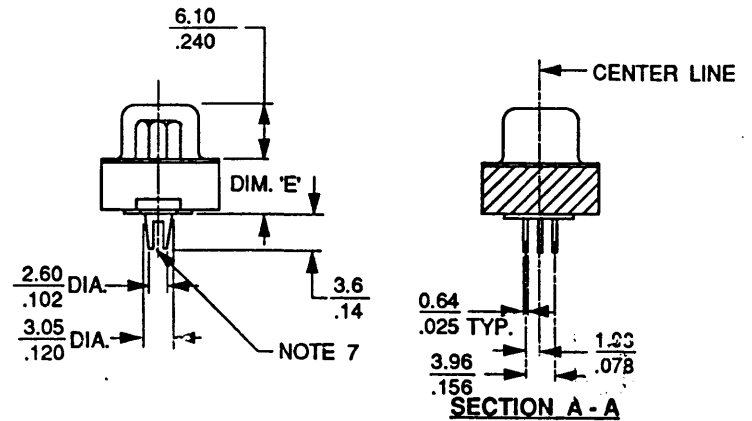
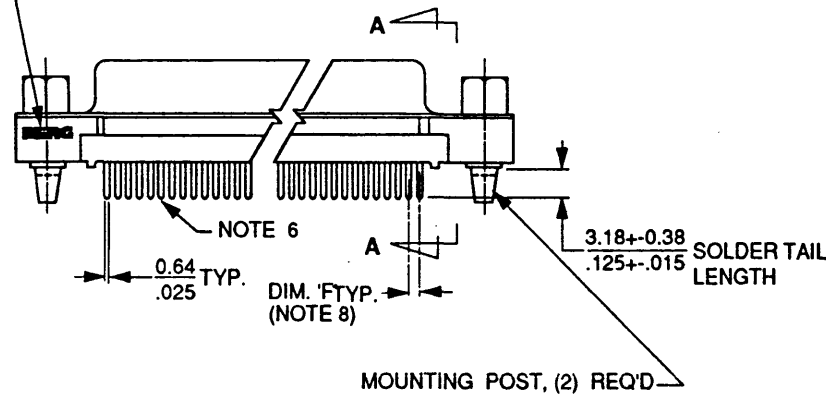
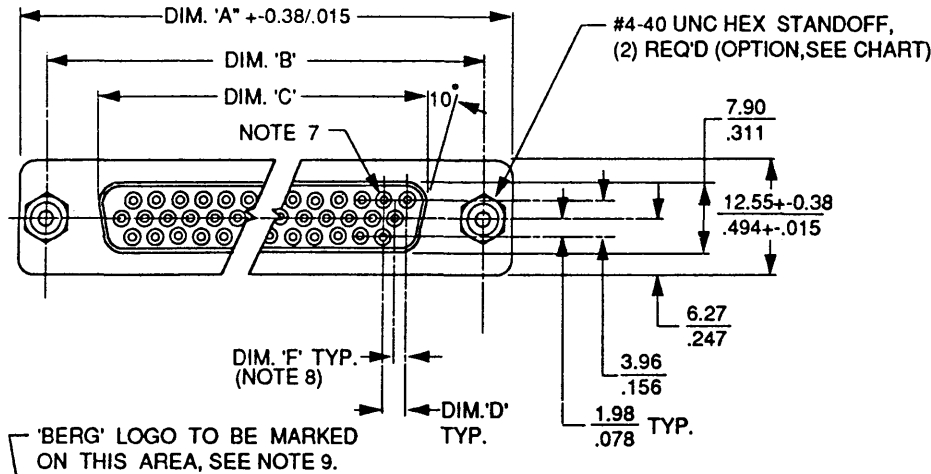
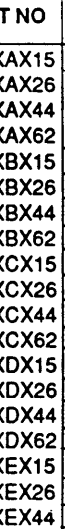


product no.
SEE CHART

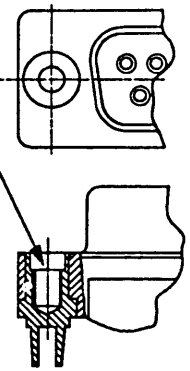


mat'l code SEE NOTE 1				tolerances unless otherwise specified		CUSTOMER COPY					
lr	ecn no	dr	date	linear	0.00-0.38 / .00-.015	projection	title				
A	T30295	JL	9/20/93	angles	0.00-0.25 / .000-.010		D-SUB, HI-DENSITY, VERTICAL, FEMALE	product family	D-SUB	code	TWN
B	T30349	JL	11/8/93		$\pm 0^{\circ} 30'$			mm inch	size dwg no		
				dr	J. LIN	9/20/93	scale	A3	94122		
				engr	J. LIN	9/20/93	N/A				
				chr	J. LIN	9/20/93					
				appd	C M CHANG	9/20/93					
sheet	revision	B	B	B							
index	sheet	1	2	3							

PRODUCT NO	NO. OF POS.	DIM. 'A'	DIM. 'B'	DIM. 'C'	DIM. 'D'	DIM. 'E'
94122 - XXAX15	15	30.84/1.214	24.99/984	16.26/640	2.29/.090	6.02/.237
- XXAX26	26	UNAVAILABLE				
- XXAX44	44	UNAVAILABLE				
- XXAX62	62	UNAVAILABLE				
- XXBX15	15	30.84/1.214	24.99/984	16.26/640	2.29/.090	7.90/.311
- XXBX26	26	UNAVAILABLE				
- XXBX44	44	UNAVAILABLE				
- XXBX62	62	UNAVAILABLE				
- XXCX15	15	30.84/1.214	24.99/984	16.26/640	2.29/.090	11.48/.452
- XXCX26	26	UNAVAILABLE				
- XXCX44	44	UNAVAILABLE				
- XXCX62	62	UNAVAILABLE				
- XXDX15	15	30.84/1.214	24.99/984	16.26/640	2.29/.090	7.10/.280
- XXDX26	26	UNAVAILABLE				
- XXDX44	44	UNAVAILABLE				
- XXDX62	62	UNAVAILABLE				
- XXEX15	15	30.84/1.214	24.99/984	16.26/640	2.29/.090	11.00/.433
- XXEX26	26	UNAVAILABLE				
- XXEX44	44	UNAVAILABLE				
94122 - XXEX62 (SEE NOTE 2)	62	UNAVAILABLE				

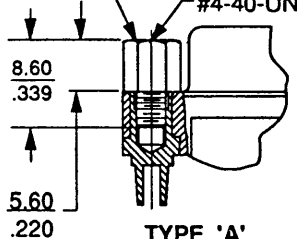
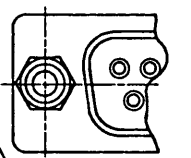


#4-40-UNC THREADED INSERT FLUSH MOUNT

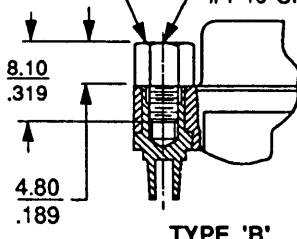
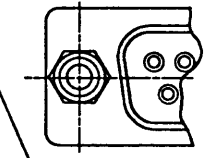


TYPE 'O'

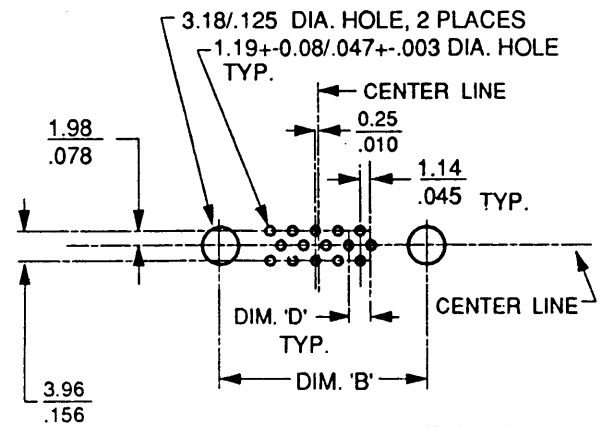
#4-40 HEX-STANDOFF, (2) REQ'D



TYPE 'A'



TYPE 'B'



FOR 15 POS PCB LAYOUT ONLY
FIGURE 2. RECOMMENDED PCB LAYOUT

FIGURE 1. OPTIONS FOR HEX-NUT STANDOFF

mat'l code SEE NOTE 1				tolerances unless otherwise specified		CUSTOMER COPY		BERG ELECTRONICS		
lfr	ecn no	dr	date	linear	0.0-0.24 / .00-.015	projection	title	D-SUB, HI-DENSITY, VERTICAL, FEMALE		
B				angles	0.00-0.25 / .00-.010			product family	code	D-SUB
					+0° 30'	mm	size			dwg no
				dr	J. LIN	9/20/93	inch	A3	94122	sheet
				enrg	J. LIN	9/20/93	scale	N/A		2 of
				chr	J. LIN	9/20/93				
				appd	C M CHANG	9/20/93				
sheet index	revision sheet	1								

product no
SEE CHART

NOTES :

1. MATERIAL :
 - a. HOUSING : GF POLYESTER, FLAME RETARDANT PER UL 94V-0, COLOR : BLACK.
 - b. SHELL : STEEL STRIP WITH NICKEL OR TIN PLATING, THE SELECTION SEE NOTE 2.
 - c. CONTACTS : PHOSPHOR BRONZE WITH GOLD PLATING ON THE CONTACT AREA AND TIN PLATING ON THE SOLDER TAIL. THE SELECTION SEE NOTE 2.
2. THE PART NUMBERS ARE ASSIGNED AS FOLLOWS :

94122 - X X X X Y Y

- _____ NO. OF CONTACT, SEE CHART.
- _____ SHELL PLATING & MOUNTING POST TYPE : 1 FOR NICKEL SHELL WITH BOTH MOUNTING POSTS.
3 FOR TIN SHELL WITH BOTH MOUNTING POSTS.
- _____ PROFILE HEIGHT TYPE PER DIM. 'E', SEE CHART.
- _____ HEX-STANDOFF : 0 FOR TYPE 'O', A FOR TYPE 'A', B FOR TYPE 'B'.
- _____ CONTACT PLATING : 0 FOR GOLD FLUSH
1 FOR 10 MICROINCH GOLD.
3 FOR 30 MICROINCH GOLD.
5 FOR 15 MICROINCH GOLD

3. RECOMMENDED PCB MOUNTING LAYOUT SHOWN IN FIGURE 2.
4. THE OPTIONS FOR HEX - STANDOFF PER FIGURE 1.
5. THE MOUNTING POSTS ARE FOR 3.18/.125 DIA. PCB HOLE.
6. BOTH HEX-STANDOFF SHALL BE FASTERNED WITH D-SUB TOGETHER.
7. THE SLOT CAN BE SEATED AT ANY ANGLE POSITION AFTER FASTERNED WITH D-SUB TOGETHER.
8. DIM. 'P' IS 1.14/.045 FOR 15, 26 AND 44 POS., BUT IS 1/21/.048 FOR 62 POS. PART.

matl code SEE NOTE 1				tolerances unless otherwise specified		CUSTOMER COPY		BERG ELECTRONICS		
itr	ecn no	dr	date	linear	0.0-0.38 / .00- .010 0.00-0.25 / .000- .010	projection	title			product family
B				angles	+0° 30'		D-SUB, HI - DENSITY, VERTICAL, FEMALE	size	A3	TWN
				dr	J. LIN	9/20/93	mm	sheet	94122	3 of
				engr	J. LIN	9/20/93	inch	revision		
				chr	J. LIN	9/20/93	scale	sheet		
				appd	C M CHANG	9/20/93	N/A	index		
sheet	revision									
index	sheet	1								