

smb smc slb

AEP SMB series connectors meet or exceed MIL-PRF-39012 performance requirements, offering good electrical performance to 10 GHz. Their snap-on mating makes them ideal for use in confined areas where the use of wrenches is not practical.

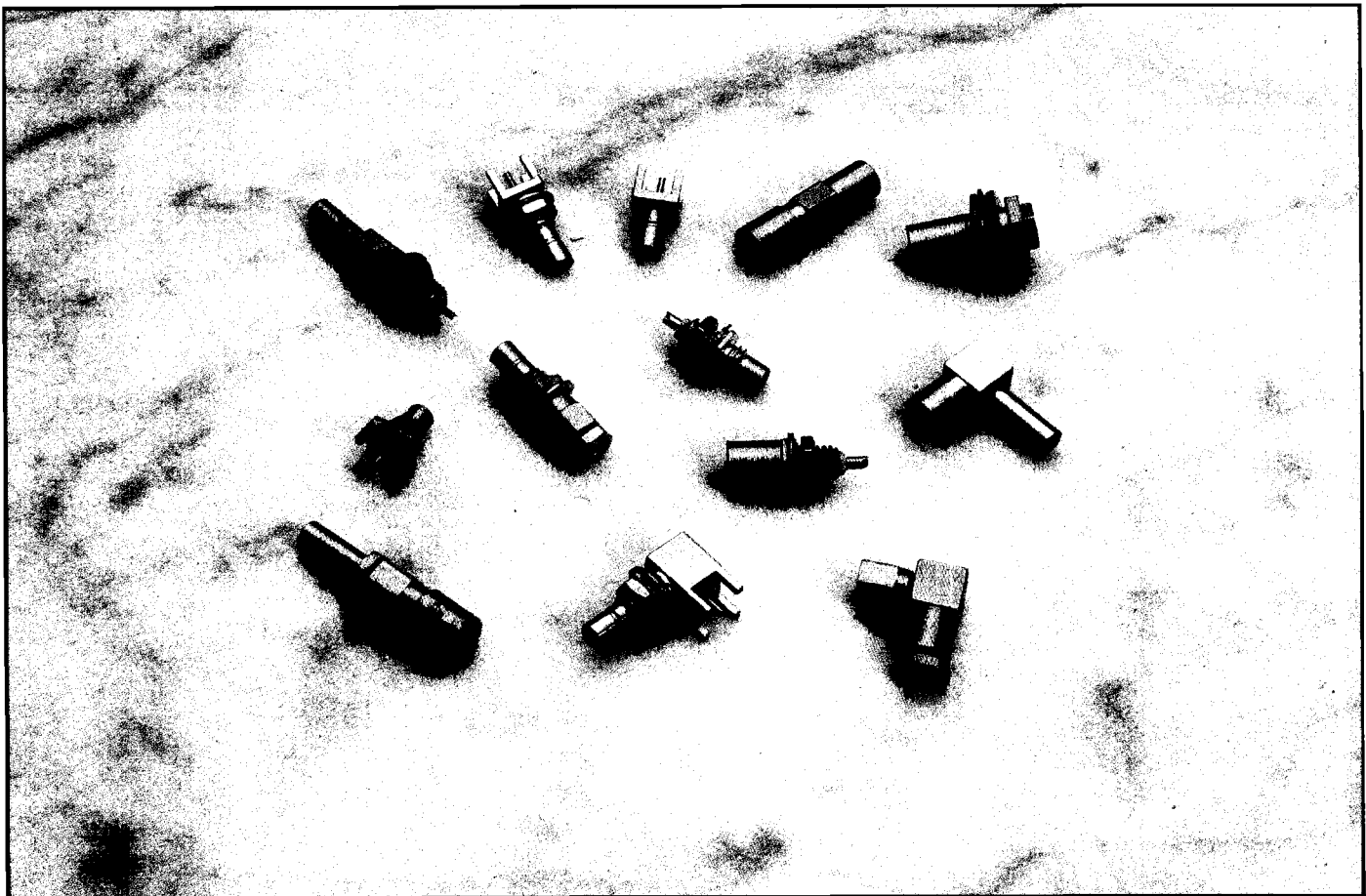
AEP SMC series connectors offer the same low cost and small size as SMB series, but their screw-on mating provides extra mating security. Frequency range: DC-10 GHz.

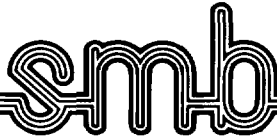
SMB and SMC connectors with a MIL-PRF-39012 QPL version available have the appropriate slash sheet noted. See pages 3 and 4 for a complete listing of SMB and SMC QPL connectors.

AEP SLB series connectors are similar to SMB series, but have slide-on mating for use in multiple mounting or rack-and-panel applications. SLB plugs will mate with SMB jacks.

Standard cables for use with these connectors are shown at the bottom of the appropriate product pages. A complete listing of cable groups is on page 145. All the items shown are available with either gold or nickel plated bodies; part numbers for each finish are shown in the product section. The index listing for each connector shows the appropriate cable assembly instruction. Assembly instructions start on page 148.

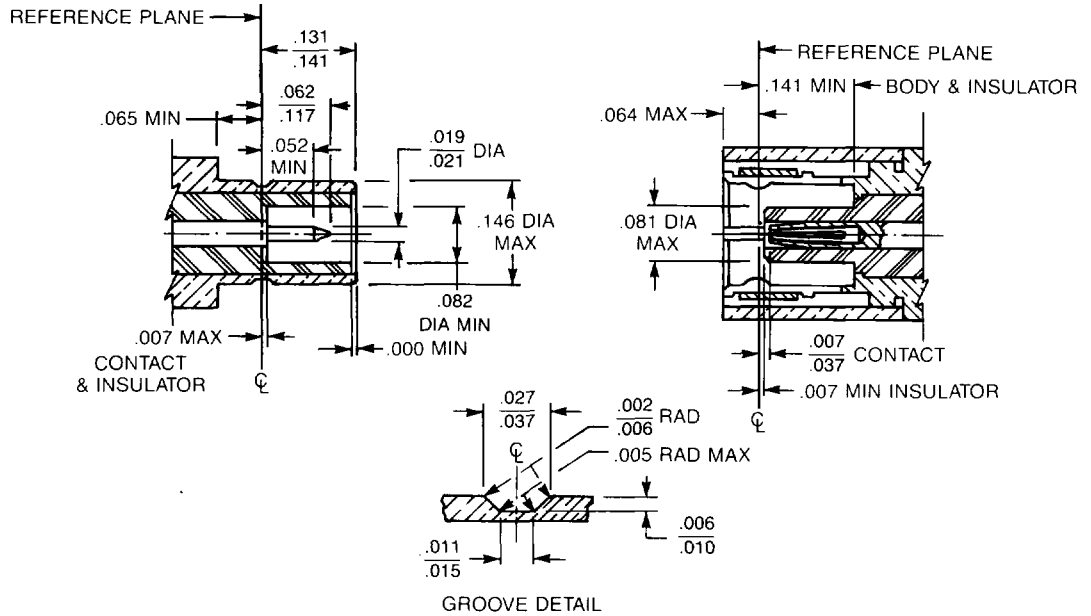
Factory-built cable assemblies using these connectors are available from AEP.





INTERFACE DIMENSIONS

MIL-STD-348

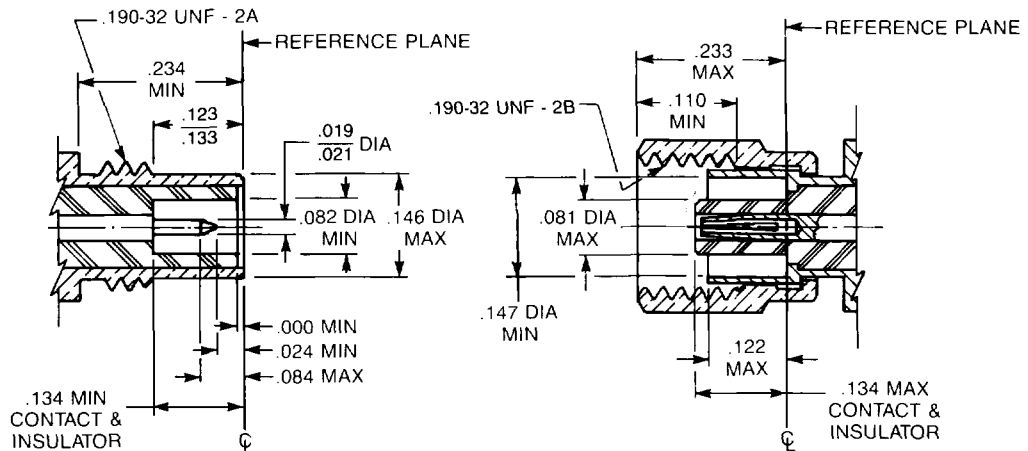


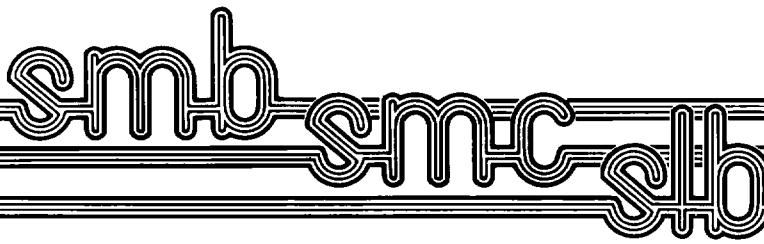
SLB dimensions identical to above except without detent.



INTERFACE DIMENSIONS

MIL-STD-348





SPECIFICATIONS

MIL-PRF-39012

Materials:

Body components, male contacts:
Brass per ASTM B16, alloy 360, 1/2 hard
Female contact: Beryllium copper per
ASTM B196, condition HT.
Insulators: Teflon TFE per ASTM-D-1710.

Finish:

Center contacts: Gold plated per
MIL-G-45204.
All other parts finished to meet
MIL-PRF-39012 corrosion requirements.

Electrical:

Impedance: 50 ohms.
Frequency range: SMC: DC-10 GHz.
SMB, SLB: DC-4 GHz.
Voltage Rating:
RG178: 250 VRMS, sea level.
RG316: 335 VRMS, sea level.
Insulation resistance: 1000 megohms min.
VSWR:
SMB, SLB straight connector:
RG178: $1.30 + (.04 \times F[\text{GHz}])$.
RG316: $1.25 + (.04 \times F[\text{GHz}])$
SMB, SLB right angle:
RG178: $1.45 + (.06 \times F[\text{GHz}])$
RG316: $1.35 + (.04 \times F[\text{GHz}])$
SMC straight connector:
RG178: $1.25 + (.04 \times F[\text{GHz}])$
RG316: $1.20 + (.04 \times F[\text{GHz}])$
SMC right angle:
RG178: $1.40 + (.06 \times F[\text{GHz}])$
RG316: $1.30 + (.04 \times F[\text{GHz}])$
Contact resistance:
Straight, 6 milliohms max initial,
8 milliohms max after environment.
Right angle, 12 milliohms max initial,
16 milliohms max after environment.
Dielectric Withstanding Voltage (sea level):
RG178: 750 VRMS.
RG316: 1000 VRMS.

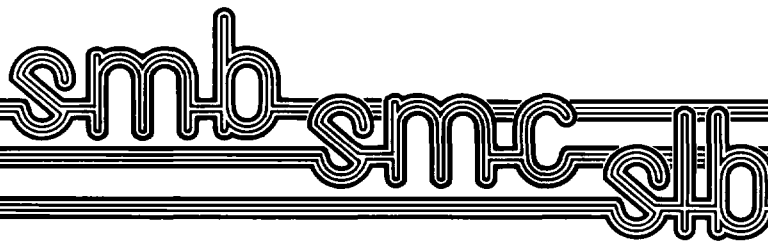
Corona level @ 70,000 ft.:
RG178: 185 VRMS.
RG316: 250 VRMS.
RF highpot @ 5MHz:
RG178: 500 VRMS.
RG316: 700 VRMS.
RF leakage:
SMB, SLB: -55 Db min, 2-3 GHz.
SMC: -60 Db min, 2-3 GHz.
Insertion loss:
SMB, SLB @ 1.5 GHz:
Straight .30 Db max.
Right angle .60 Db max.
SMC @ 4 GHz:
Straight .25 Db max.
Right angle .50 Db max.

Mechanical:

Force to engage: SMB, 14 pounds max,
SLB 6 pounds max.
Mating torque: SMC, 35-50 inch ounces.
Coupling nut pulloff resistance:
SMC, 35 pounds min.
Contact retention (captive contact
connectors): 4 pounds min. axial force.
Durability: 500 mating cycles.

Environmental:

(per MIL-STD-202)
Temperature rating: -65° C to + 165° C.
Corrosion: Method 101, condition B,
5% salt solution.
Vibration: Method 204,
SMB, condition B.
SMC, condition D.
Mechanical shock: Method 213,
SMB, condition B.
SMC, condition C.
Thermal shock: method 107, condition B.

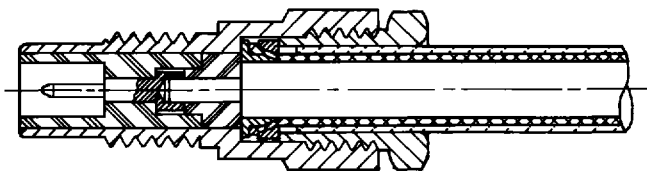


Cable Attachment Methods

All connectors in these series have captivated contacts which are soldered to the cable center conductor. All the cable attachment methods shown have gripping force greater than the breaking strength of the cable.

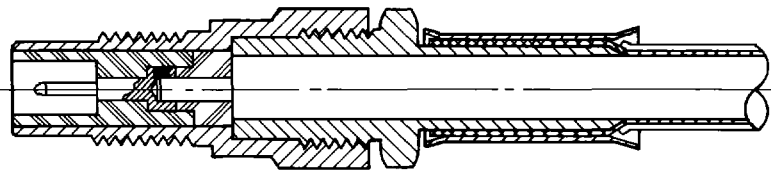
Clamp Type For Flexible Cable

These connectors can be assembled without special tooling, and are field replaceable. They provide metal-to-metal clamping of the cable braid.



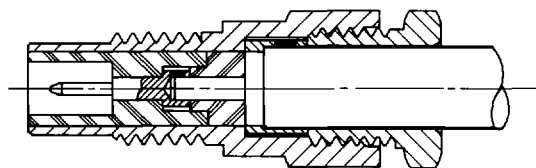
Crimp Type For Flexible Cable

Crimping the cable braid is the most reliable and repeatable method of cable assembly, and provides support for the cable during flexure. AEP crimp type connectors are assembled quickly and easily using readily-available commercial or MIL crimp tools.



Solder-Clamp For Semi-Rigid Cable

This method allows retrimming of the cable dielectric, if necessary, during assembly. Connectors can be repositioned relative to the cable after assembly by loosening the clamp nut. Solder-clamp connectors are field replaceable without special tools.



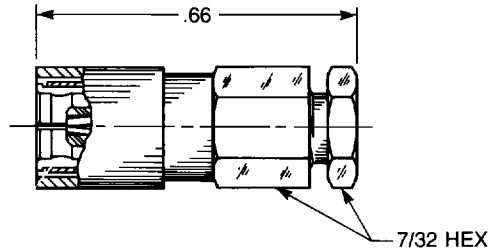
STRAIGHT AND RIGHT ANGLE

Straight Female Cable Plug

Clamp type for flexible cable:
 2002-1551-0XX (Gold plated)
 2002-7551-0XX (Nickel plated)

Solder-clamp for semi-rigid cable:
 2002-1541-0XX (Gold plated)
 2002-7541-0XX (Nickel plated)

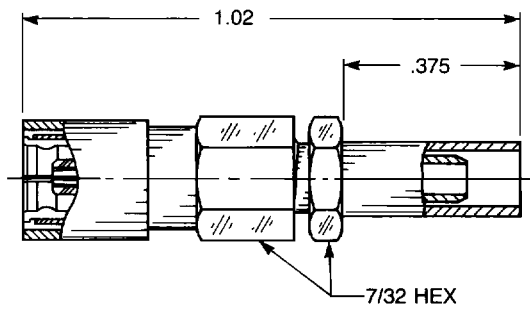
QPL version available (M39012/67)



Straight Female Cable Plug

Crimp type for flexible cable:
 2002-1571-0XX (Gold plated)
 2002-7571-0XX (Nickel plated)

QPL version available (M39012/67)

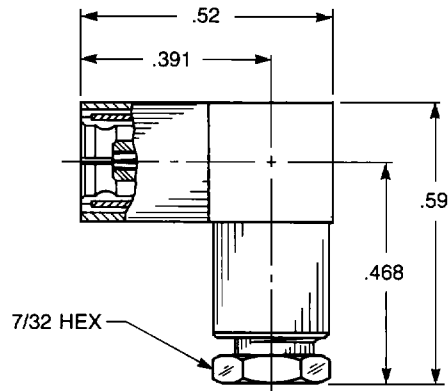


Right Angle Female Cable Plug

Clamp type for flexible cable:
 2005-1551-0XX (Gold plated)
 2005-7551-0XX (Nickel plated)

Solder-clamp for semi-rigid cable:
 2005-1541-0XX (Gold plated)
 2005-7541-0XX (Nickel plated)

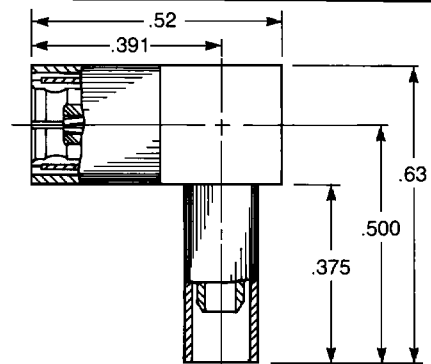
QPL version available (M39012/69)



Right Angle Female Cable Plug

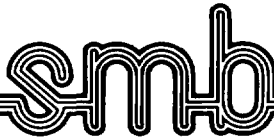
Crimp type for flexible cable:
 2105-1521-0XX (Gold plated)
 2105-7521-0XX (Nickel plated)

QPL version available (M39012/69)

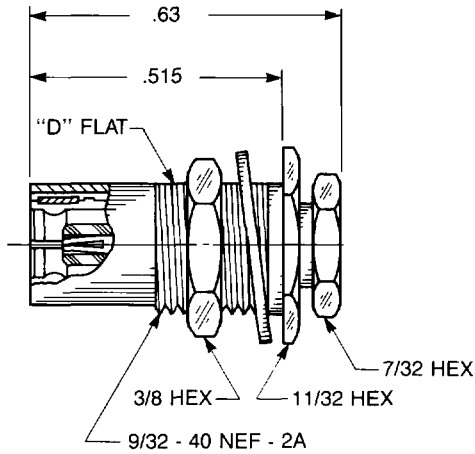


Substitute the appropriate cable group for 'XX':

02	RG178, RG196, M17/93, M17/169	09	.141" semi-rigid, RG402, M17/130
03	RG174, RG179, RG316, M17/113, M17/119, M17/172, M17/173	10	.085" semi-rigid, RG405, M17/133
05	RG178DS, RG196DS	19	RG174DS, RG316DS, M17/152, Times RD316



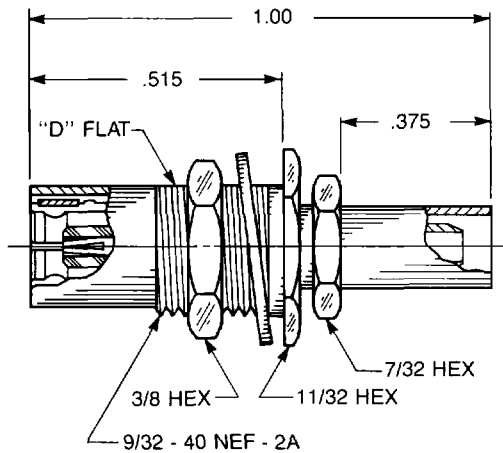
Bulkhead Mounted Straight Cable Plug



Clamp type for flexible cable:
2028-1551-0XX (Gold plated)
2028-7551-0XX (Nickel plated)

Solder-clamp for semi-rigid:
2028-1541-0XX (Gold plated)
2028-7541-0XX (Nickel plated)

Bulkhead Mounted Straight Cable Plug



Crimp type for flexible cable:
2028-1571-0XX (Gold plated)
2028-7571-0XX (Nickel plated)

Substitute the appropriate cable group for 'XX':

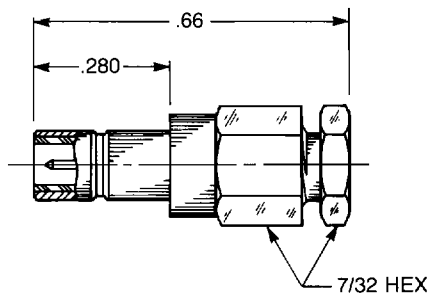
02	RG178, RG196, M17/93, M17/169	09	.141" semi-rigid, RG402, M17/130
03	RG174, RG179, RG316, M17/113, M17/119, M17/172, M17/173	10	.085" semi-rigid, RG405, M17/133
05	RG178DS, RG196DS	19	RG174DS, RG316DS, M17/152, Times RD316

Straight Male Cable Jack

Clamp type for flexible cable:
2001-1551-0XX (Gold plated)
2001-7551-0XX (Nickel plated)

Solder-clamp for semi-rigid cable:
2001-1541-0XX (Gold plated)
2001-7541-0XX (Nickel plated)

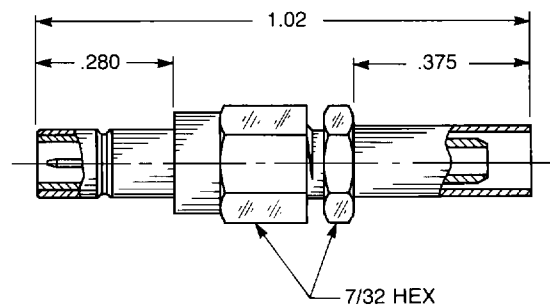
QPL version available (M39012/68)



Straight Male Cable Jack

Crimp type for flexible cable:
2001-1571-0XX (Gold plated)
2001-7571-0XX (Nickel plated)

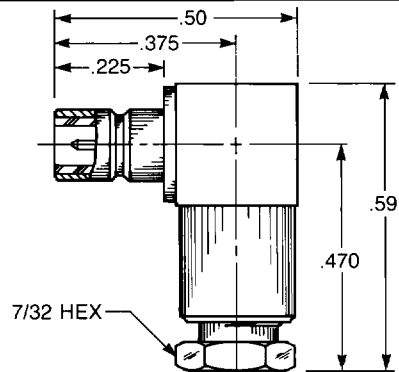
QPL version available (M39012/68)



Right Angle Male Cable Jack

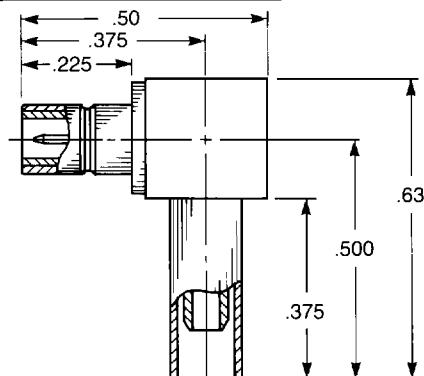
Clamp type for flexible cable:
2041-1551-0XX (Gold plated)
2041-7551-0XX (Nickel plated)

Solder-clamp for semi-rigid cable:
2041-1541-0XX (Gold plated)
2041-7541-0XX (Nickel plated)



Right Angle Male Cable Jack

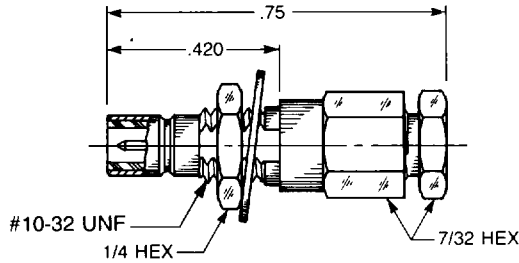
Crimp type for flexible cable:
2141-1521-0XX (Gold plated)
2141-7521-0XX (Nickel plated)



Substitute the appropriate cable group for 'XX':

02	RG178, RG196, M17/93, M17/169	09	.141" semi-rigid, RG402, M17/130
03	RG174, RG179, RG316, M17/113, M17/119, M17/172, M17/173	10	.085" semi-rigid, RG405, M17/133
05	RG178DS, RG196DS	19	RG174DS, RG316DS, M17/152, Times RD316

Straight Male Bulkhead Cable Jack

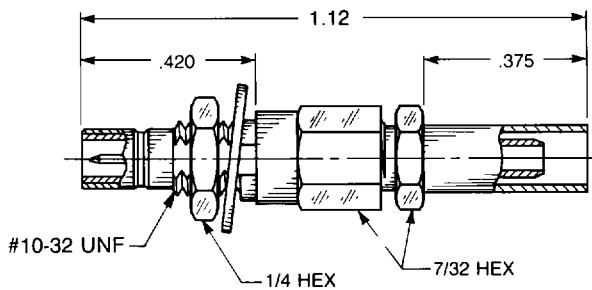


Clamp type for flexible cable:
2003-1551-0XX (Gold plated)
2003-7551-0XX (Nickel plated)

Solder-clamp for semi-rigid cable:
2003-1541-0XX (Gold plated)
2003-7541-0XX (Nickel plated)

QPL version available (M39012/70)

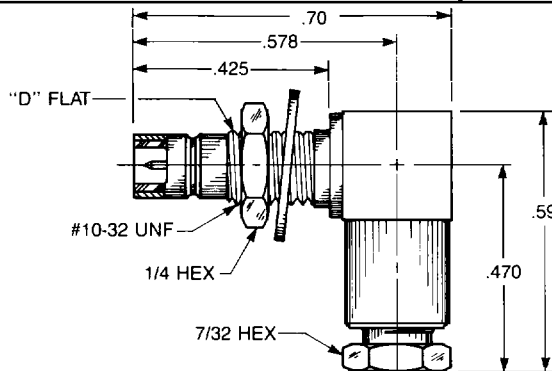
Straight Male Bulkhead Cable Jack



Crimp type for flexible cable:
2003-1571-0XX (Gold plated)
2003-7571-0XX (Nickel plated)

QPL version available (M39012/70)

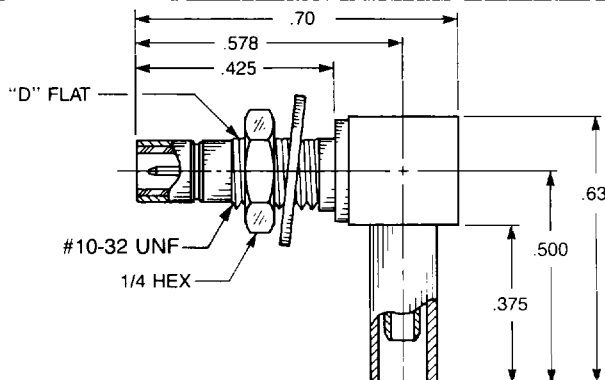
Bulkhead Mounted Right Angle Male Cable Jack



Clamp type for flexible cable:
2006-1551-0XX (Gold plated)
2006-7551-0XX (Nickel plated)

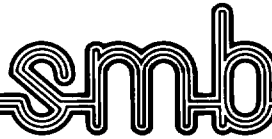
Solder-clamp for semi-rigid cable:
2006-1541-0XX (Gold plated)
2006-7541-0XX (Nickel plated)

Bulkhead Mounted Right Angle Male Cable Jack



Crimp type for flexible cable:
2106-1521-0XX (Gold plated)
2106-7521-0XX (Nickel plated)

Substitute the appropriate cable group for 'XX':			
02	RG178, RG196, M17/93, M17/169	09	.141" semi-rigid, RG402, M17/130
03	RG174, RG179, RG316, M17/113, M17/119, M17/172, M17/173	10	.085" semi-rigid, RG405, M17/133
05	RG178DS, RG196DS	19	RG174DS, RG316DS, M17/152, Times RD316

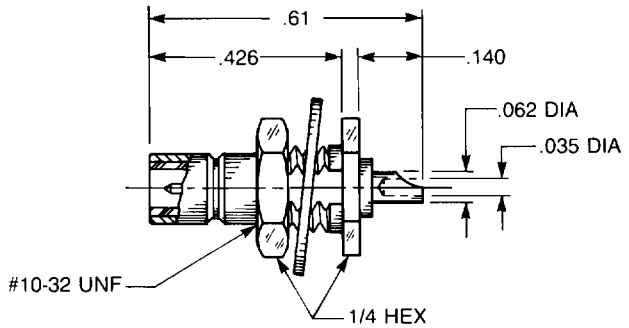


Straight Male Bulkhead Jack Receptacle

- Solder pot contact
- Rear mount

2004-1511-000 (Gold plated)
 2004-7511-000 (Nickel plated)

QPL version available (M39012/71)

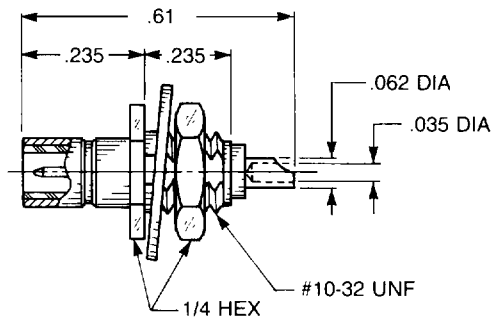


Straight Male Bulkhead Jack Receptacle

- Solder pot contact
- Front mount

2019-1511-000 (Gold plated)
 2019-7511-000 (Nickel plated)

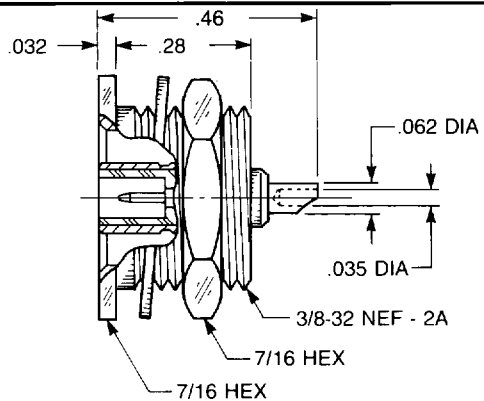
QPL version available (M39012/71)



Straight Male Bulkhead Jack Receptacle

- Solder pot contact
- Recessed front mount

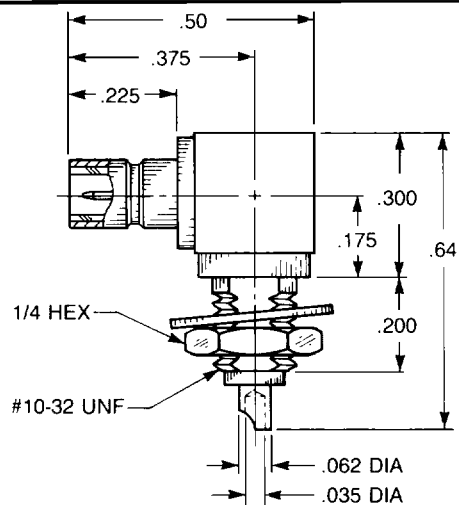
2014-1511-000 (Gold plated)
 2014-7511-000 (Nickel plated)

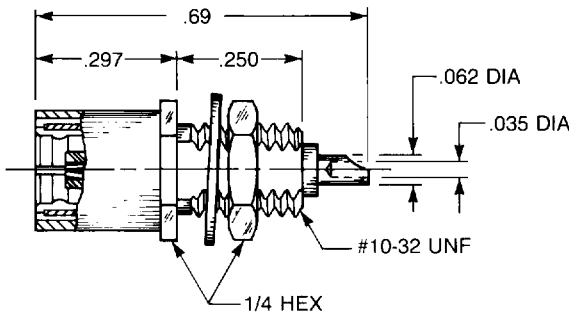
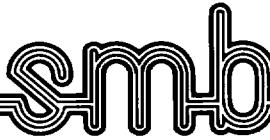


Right Angle Male Bulkhead Jack Receptacle

- Solder pot contact
- Front mount

2012-1511-000 (Gold plated)
 2012-7511-000 (Nickel plated)



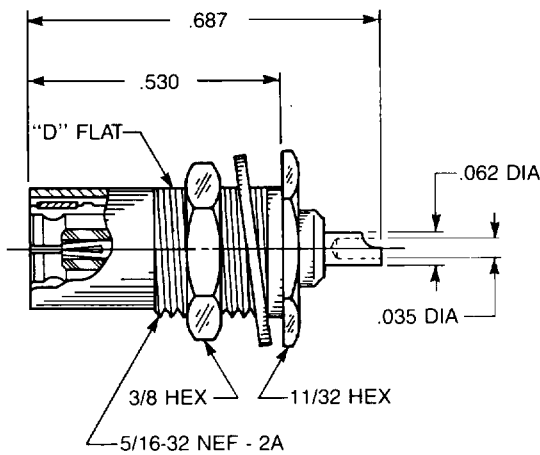


Straight Female Bulkhead Plug Receptacle

- Solder pot contact
- Front mount

2017-1511-000 (Gold plated)

2017-7511-000 (Nickel plated)

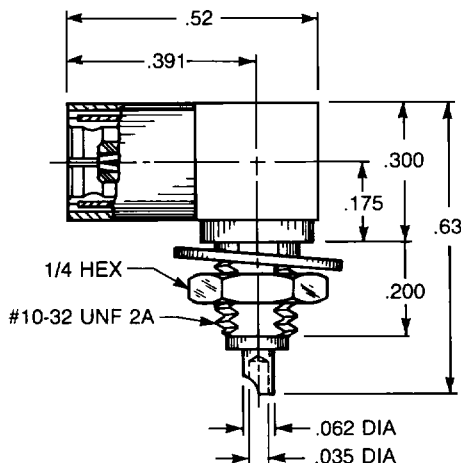


Straight Female Bulkhead Plug Receptacle

- Solder pot contact
- Rear mount

2048-1511-000 (Gold plated)

2048-7511-000 (Nickel plated)

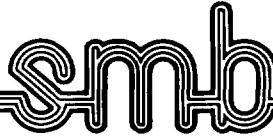


Right Angle Female Bulkhead Plug Receptacle

- Solder pot contact
- Front mount

2097-1511-000 (Gold plated)

2097-7511-000 (Nickel plated)

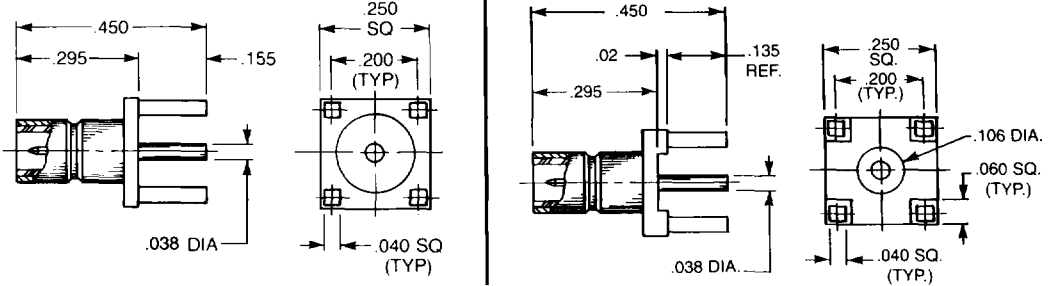


Straight Male Jack Receptacle

2009-1511-000 (Gold plated)
2009-7511-000 (Nickel plated)

2009-1511-050 (Gold plated)
2009-7511-050 (Nickel plated)

QPL version available
(M39012/95)



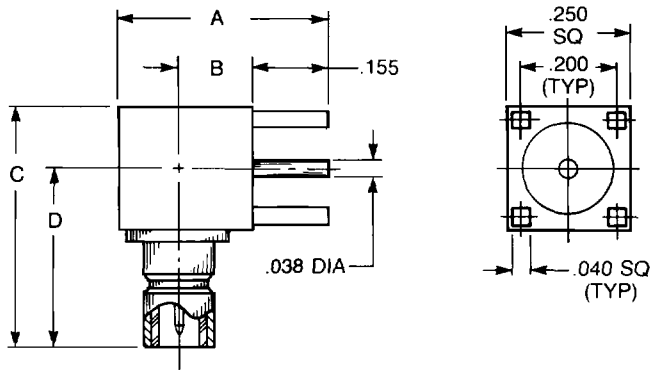
Right Angle Male Jack Receptacle

A	B	C	D
.43	.15	.50	.38

2010-1511-000 (Gold plated)
2010-7511-000 (Nickel plated)

A	B	C	D
.50	.215	.56	.437

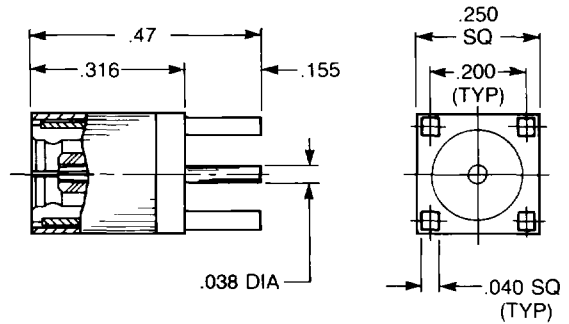
2010-1511-002 (Gold plated)
2010-7511-002 (Nickel plated)



QPL version available (M39012/96)

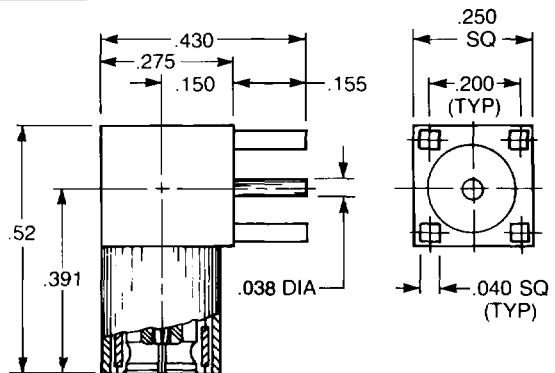
Straight Female Plug Receptacle

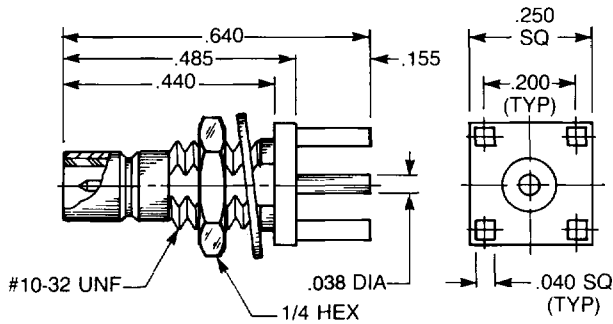
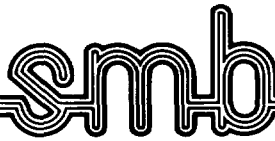
2025-1511-000 (Gold plated)
2025-7511-000 (Nickel plated)



Right Angle Female Plug Receptacle

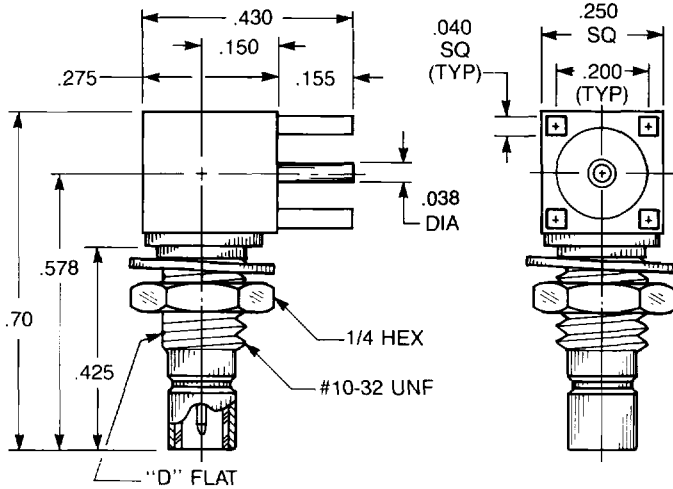
2042-1511-000 (Gold plated)
2042-7511-000 (Nickel plated)





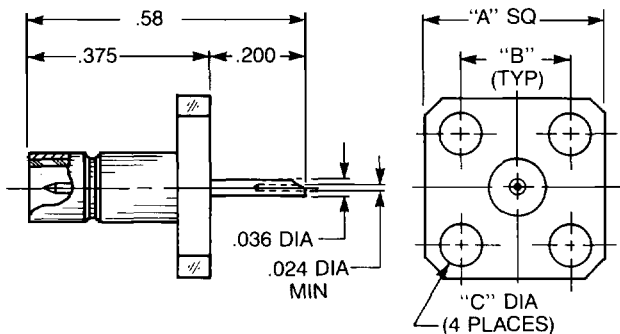
**Bulkhead Mounted
Straight Male Jack
P.C. Board Receptacle**

2109-1511-000 (Gold plated)
2109-7511-000 (Nickel plated)



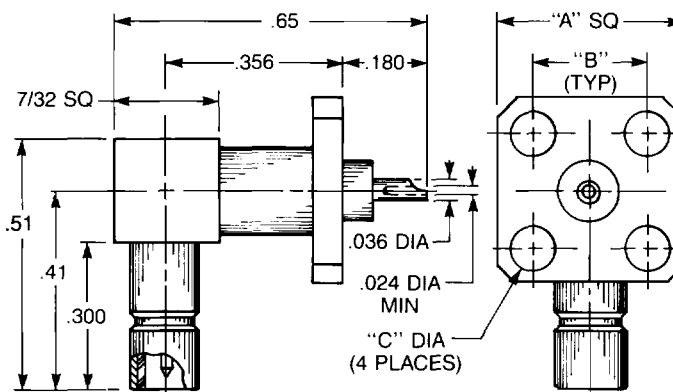
**Bulkhead Mounted
Right Angle Male Jack
P.C. Board Receptacle**

2110-1511-000 (Gold plated)
2110-7511-000 (Nickel plated)



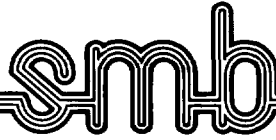
**Straight Male
Panel Receptacle**

A sq.	B	C dia.
.500	.340	.102
2486-1511-000		(Gold plated)
2486-7511-000		(Nickel plated)
A sq.	B	C dia.
.375	.232	.093
2484-1511-000		(Gold plated)
2484-7511-000		(Nickel plated)



**Right Angle Male
Panel Receptacle**

A sq.	B	C dia.
.500	.340	.102
2490-1511-000		(Gold plated)
2490-7511-000		(Nickel plated)
A sq.	B	C dia.
.375	.232	.093
2488-1511-000		(Gold plated)
2488-7511-000		(Nickel plated)

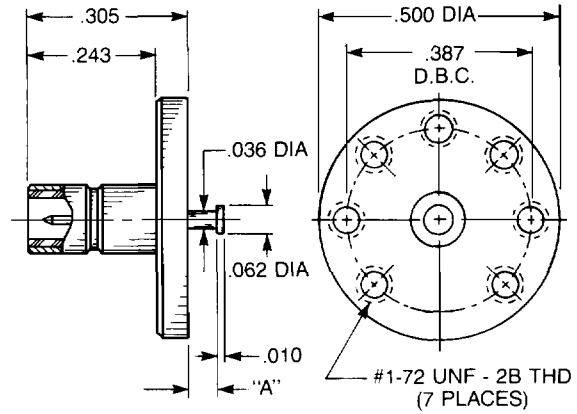


**Straight Male
Top Launch Jack**

- Non-captive contact

Dim. A Part number:

.031	2029-1211-001	(Gold plated)
	2029-7211-001	(Nickel plated)
.063	2029-1211-002	(Gold plated)
	2029-7211-002	(Nickel plated)
.125	2029-1211-003	(Gold plated)
	2029-7211-003	(Nickel plated)

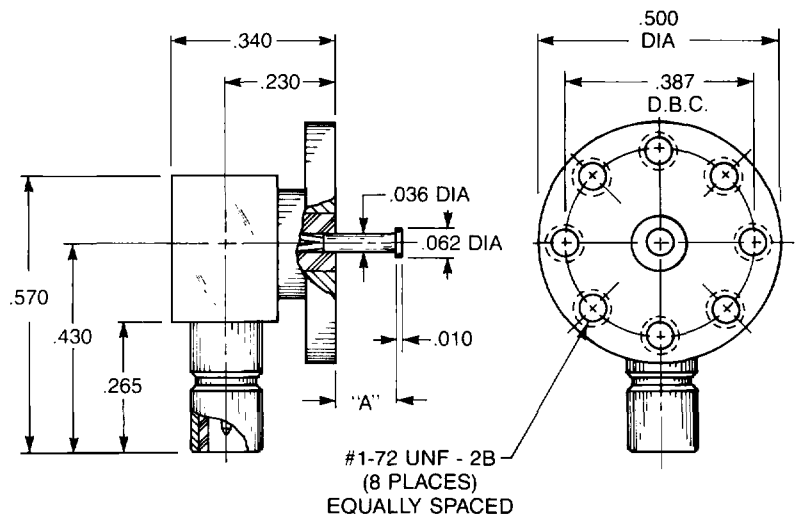


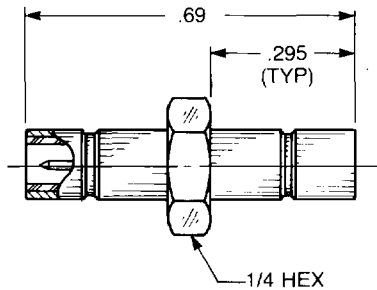
**Right Angle Male
Top Launch Jack**

- Removable rear contact

Dim. A Part number:

.031	2092-1511-001	(Gold plated)
	2092-7511-001	(Nickel plated)
.063	2092-1511-002	(Gold plated)
	2092-7511-002	(Nickel plated)
.125	2092-1511-003	(Gold plated)
	2092-7511-003	(Nickel plated)

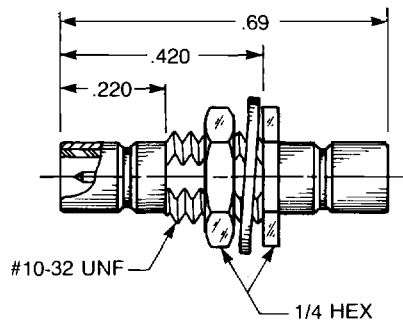




Straight Male Jack To Jack Adapter

- Connects two plugs

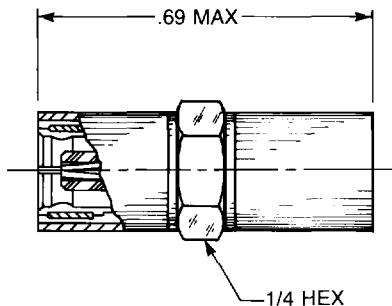
5213-1501-000 (Gold plated)
5213-7501-000 (Nickel plated)



Bulkhead Mounted Straight Male Jack To Jack Adapter

- Connects two plugs
- For .093" max. panel

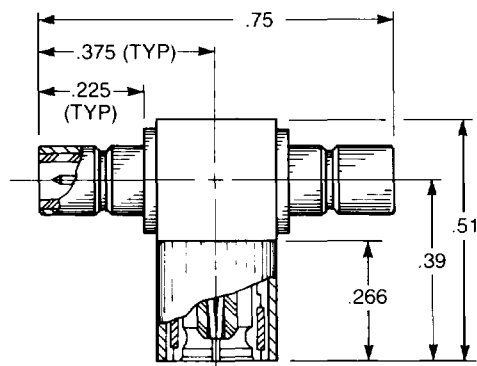
5222-1501-000 (Gold plated)
5222-7501-000 (Nickel plated)



Straight Female Plug To Plug Adapter

- Connects two jacks

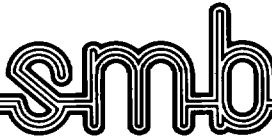
5216-1501-000 (Gold plated)
5216-7501-000 (Nickel plated)



Tee Adapter (Unmatched Power Divider) Jack To Plug To Jack

- Connects two plugs and one jack

5215-1501-000 (Gold plated)
5215-7501-000 (Nickel plated)



ADAPTERS WITHIN SERIES

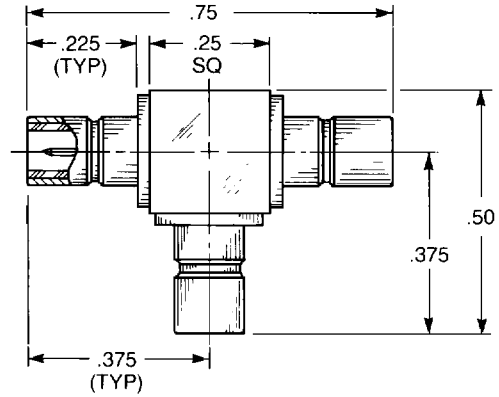
RESISTIVE TERMINATIONS

Tee Adapter (Unmatched Power Divider) Jack To Jack To Jack

- Connects three plugs

5207-1501-000 (Gold plated)

5207-7501-000 (Nickel plated)

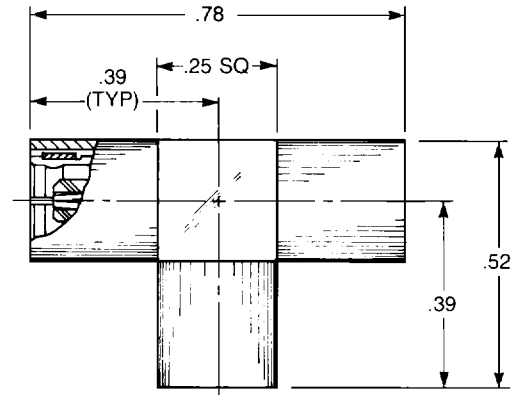


Tee Adapter (Unmatched Power Divider) Plug To Plug To Plug

- Connects three jacks

5208-1501-000 (Gold plated)

5208-7501-000 (Nickel plated)



Female Plug Resistive Termination

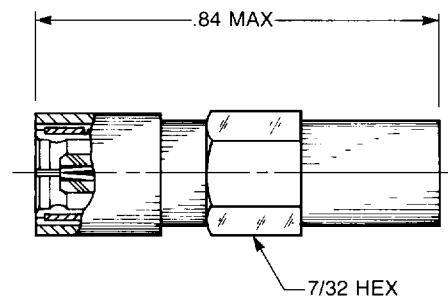
(Dummy load)

Standard resistor:
51 ohm, 1/2 watt,
5% tolerance

2036-1511-051 (Gold plated)

2036-7511-051 (Nickel plated)

Available with other resistances.



Male Jack Resistive Termination

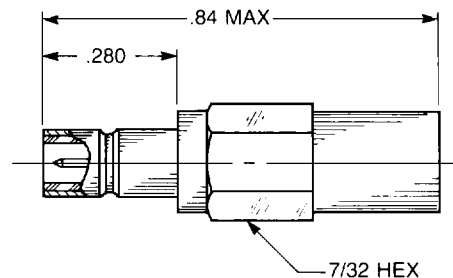
(Dummy load)

Standard resistor:
51 ohm, 1/2 watt,
5% tolerance

2037-1511-051 (Gold plated)

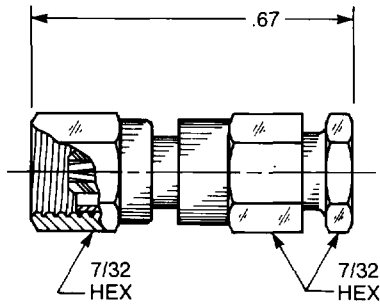
2037-7511-051 (Nickel plated)

Available with other resistances





STRAIGHT AND RIGHT ANGLE

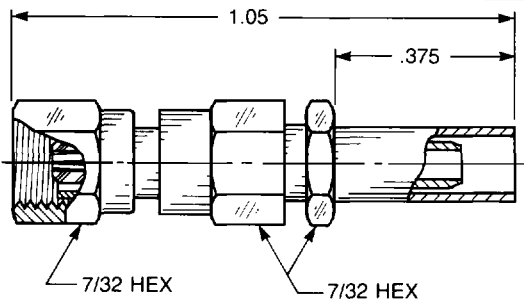


Straight Female Cable Plug

Clamp type for flexible cable:
1002-1551-0XX (Gold plated)
1002-7551-0XX (Nickel plated)

Solder-clamp for semi-rigid cable:
1002-1541-0XX (Gold plated)
1002-7541-0XX (Nickel plated)

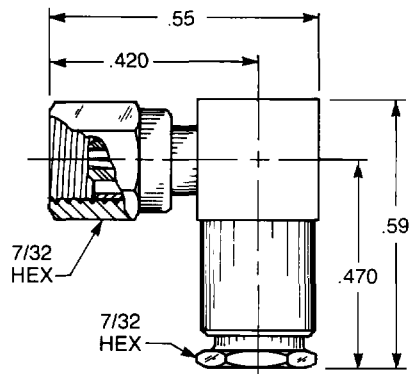
QPL version available (M39012/73)



Straight Female Cable Plug

Crimp type for flexible cable:
1002-1571-0XX (Gold plated)
1002-7571-0XX (Nickel plated)

QPL version available (M39012/73)

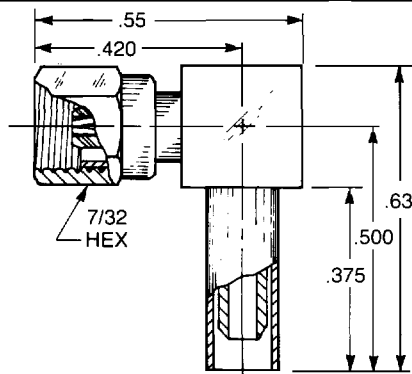


Right Angle Female Cable Plug

Clamp type for flexible cable:
1005-1551-0XX (Gold plated)
1005-7551-0XX (Nickel plated)

Solder-clamp for semi-rigid cable:
1005-1541-0XX (Gold plated)
1005-7541-0XX (Nickel plated)

QPL version available (M39012/75)



Right Angle Female Cable Plug

Crimp type for flexible cable:
1105-1521-0XX (Gold plated)
1105-7521-0XX (Nickel plated)

QPL version available (M39012/75)

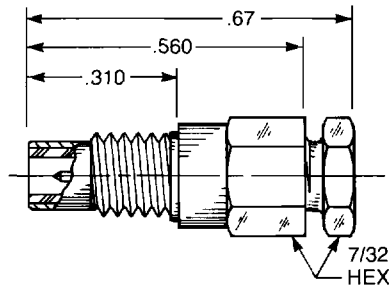
Substitute the appropriate cable group for 'XX':

02	RG178, RG196, M17/93, M17/169	09	.141" semi-rigid, RG402, M17/130
03	RG174, RG179, RG316, M17/113, M17/119, M17/172, M17/173	10	.085" semi-rigid, RG405, M17/133
05	RG178DS, RG196DS	19	RG174DS, RG316DS, M17/152, Times RD316



Straight Male Cable Jack

Clamp type for flexible cable:
 1001-1551-0XX (Gold plated) QPL version
 1001-7551-0XX (Nickel plated) available (M39012/74)

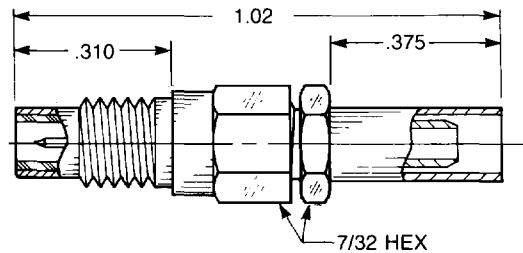


Solder-clamp for semi-rigid cable:
 1001-1541-0XX (Gold plated)
 1001-7541-0XX (Nickel plated)

Straight Male Cable Jack

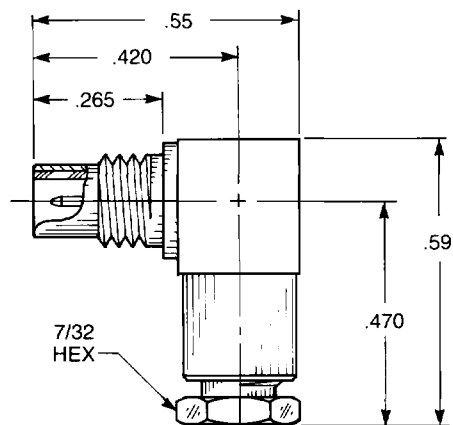
Crimp type for flexible cable:
 1001-1571-0XX (Gold plated)
 1001-7571-0XX (Nickel plated)

QPL version available (M39012/74)



Right Angle Male Cable Jack

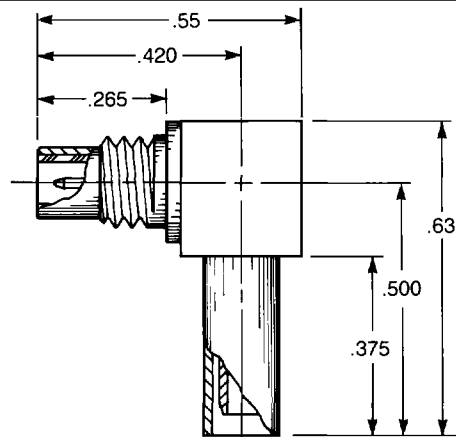
Clamp type for flexible cable:
 1041-1551-0XX (Gold plated)
 1041-7551-0XX (Nickel plated)



Solder-clamp for semi-rigid cable:
 1041-1541-0XX (Gold plated)
 1041-7541-0XX (Nickel plated)

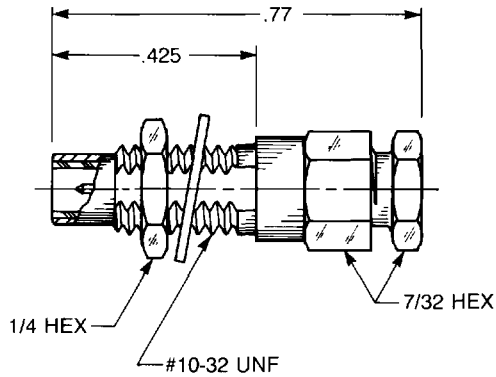
Right Angle Male Cable Jack

Crimp type for flexible cable:
 1141-1521-0XX (Gold plated)
 1141-7521-0XX (Nickel plated)



Substitute the appropriate cable group for 'XX':

02	RG178, RG196, M17/93, M17/169	09	.141" semi-rigid, RG402, M17/130
03	RG174, RG179, RG316, M17/113, M17/119, M17/172, M17/173	10	.085" semi-rigid, RG405, M17/133
05	RG178DS, RG196DS	19	RG174DS, RG316DS, M17/152, Times RD316

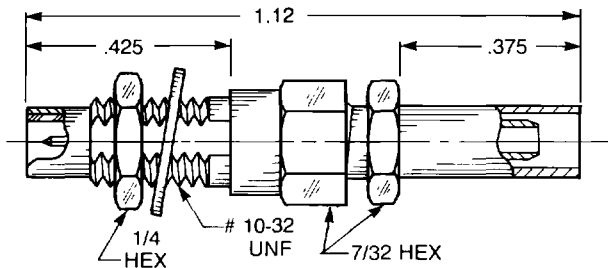


Straight Male Bulkhead Cable Jack

Clamp type for flexible cable:
 1003-1551-0XX (Gold plated)
 1003-7551-0XX (Nickel plated)

Solder-clamp for semi-rigid cable:
 1003-1541-0XX (Gold plated)
 1003-7541-0XX (Nickel plated)

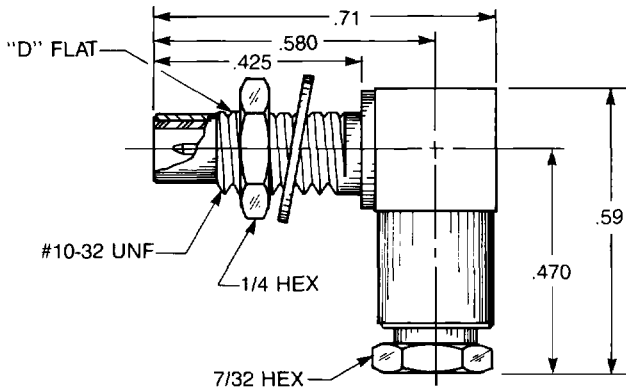
QPL version available (M39012/76)



Straight Male Bulkhead Cable Jack

Crimp type for flexible cable:
 1003-1571-0XX (Gold plated)
 1003-7571-0XX (Nickel plated)

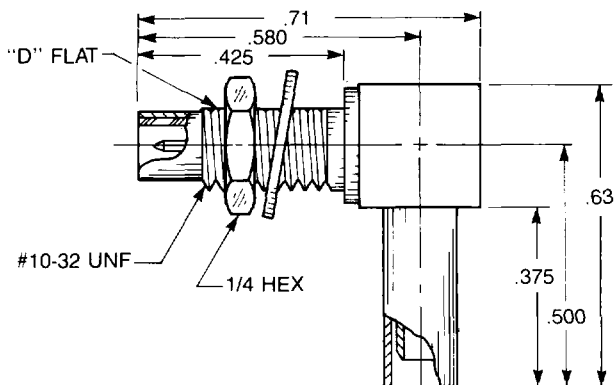
QPL version available (M39012/76)



Bulkhead Mounted Right Angle Male Cable Jack

Clamp type for flexible cable:
 1006-1551-0XX (Gold plated)
 1006-7551-0XX (Nickel plated)

Solder-clamp for semi-rigid cable:
 1006-1541-0XX (Gold plated)
 1006-7541-0XX (Nickel plated)



Bulkhead Mounted Right Angle Male Cable Jack

Crimp type for flexible cable:
 1106-1521-0XX (Gold plated)
 1106-7521-0XX (Nickel plated)

Substitute the appropriate cable group for 'XX':			
02	RG178, RG196, M17/93, M17/169	09	.141" semi-rigid, RG402, M17/130
03	RG174, RG179, RG316, M17/113, M17/119, M17/172, M17/173	10	.085" semi-rigid, RG405, M17/133
05	RG178DS, RG196DS	19	RG174DS, RG316DS, M17/152, Times RD316

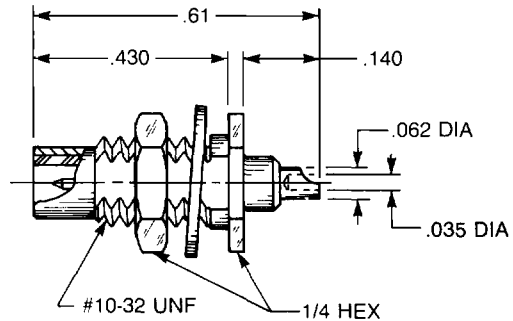
BULKHEAD MOUNTED

Straight Male Bulkhead Jack Receptacle

- Solder pot contact
- Rear mount

1004-1511-000 (Gold plated)
1004-7511-000 (Nickel plated)

QPL version available (M39012/77)

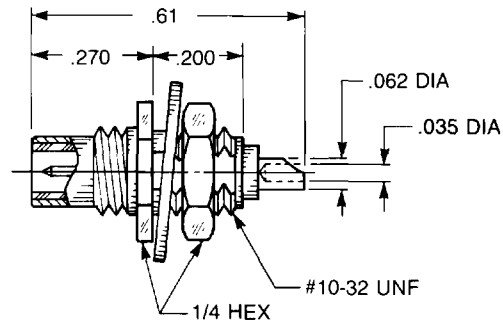


Straight Male Bulkhead Jack Receptacle

- Solder pot contact
- Front mount

1019-1511-000 (Gold plated)
1019-7511-000 (Nickel plated)

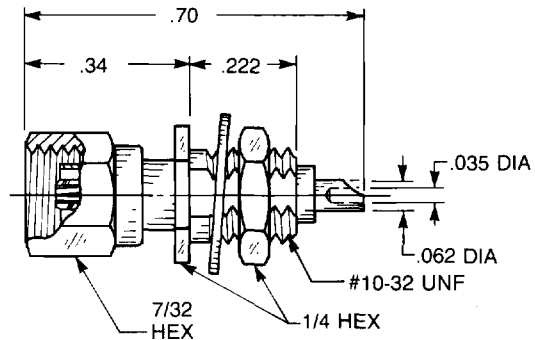
QPL version available (M39012/77)



Straight Female Bulkhead Plug Receptacle

- Solder pot contact
- Front mount

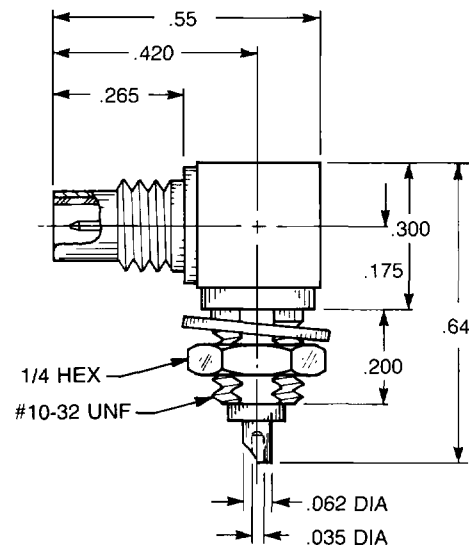
1017-1511-000 (Gold plated)
1017-7511-000 (Nickel plated)



Right Angle Male Bulkhead Jack Receptacle

- Solder pot contact
- Front mount

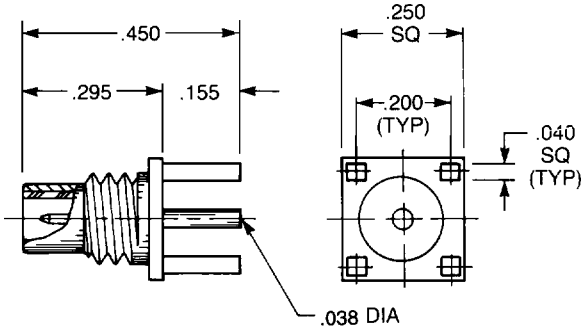
1012-1511-000 (Gold plated)
1012-7511-000 (Nickel plated)





**Straight Male
Jack Receptacle**

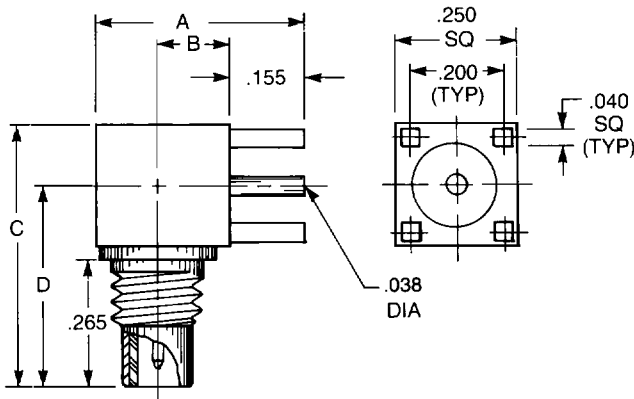
1009-1511-000 (Gold plated)
1009-7511-000 (Nickel plated)



**Right Angle Male
Jack Receptacle**

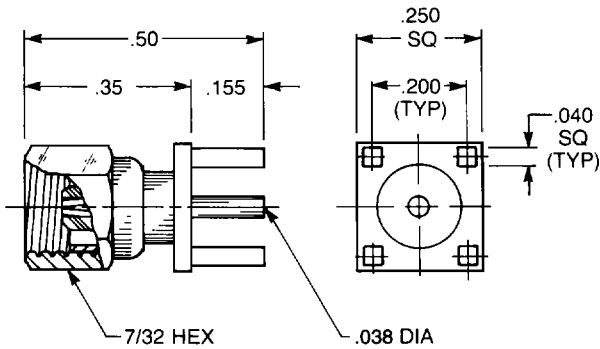
A	B	C	D
.43	.15	.55	.42
1010-1511-000 (Gold plated)			
1010-7511-000 (Nickel plated)			

A	B	C	D
.50	.215	.55	.42
1010-1511-001 (Gold plated)			
1010-7511-001 (Nickel plated)			



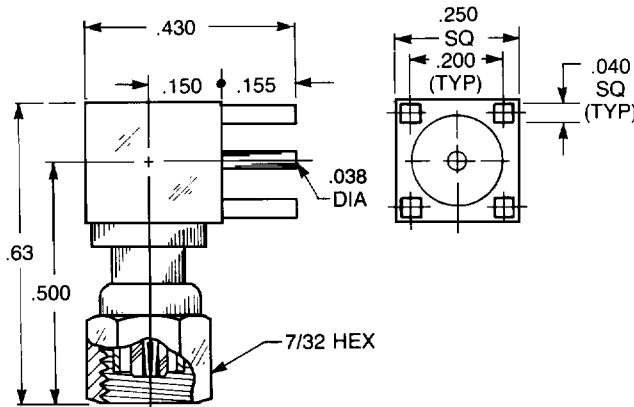
**Straight Female
Plug Receptacle**

1025-1511-000 (Gold plated)
1025-7511-000 (Nickel plated)



**Right Angle Female
Plug Receptacle**

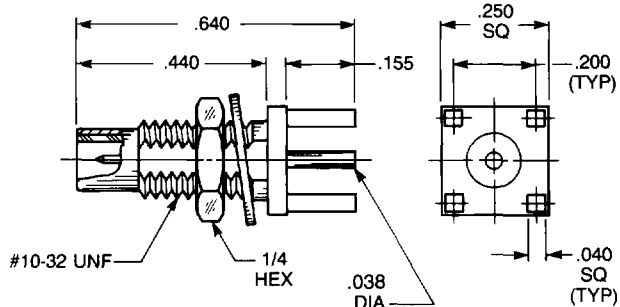
1042-1511-000 (Gold plated)
1042-7511-000 (Nickel plated)





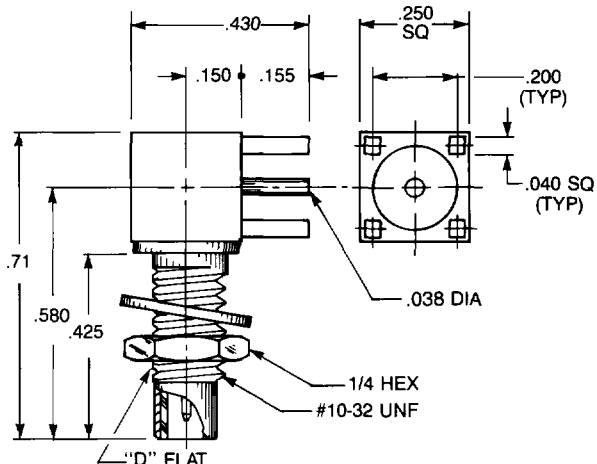
**Bulkhead Mounted
Straight Male Jack
P.C. Board Receptacle**

1109-1511-000 (Gold plated)
1109-7511-000 (Nickel plated)



**Bulkhead Mounted
Right Angle Male Jack
P.C. Board Receptacle**

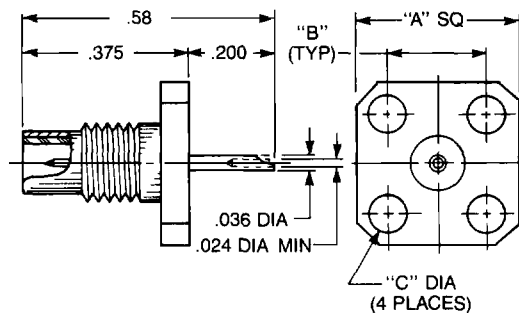
1110-1511-000 (Gold plated)
1110-7511-000 (Nickel plated)



**Straight Male
Panel Receptacle**

A sq.	B	C dia.
.500	.340	.102
1486-1511-000		(Gold plated)
1486-7511-000		(Nickel plated)

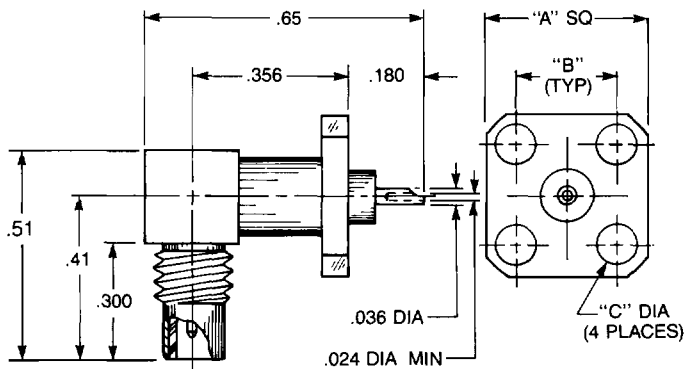
A sq.	B	C dia.
.375	.232	.093
1484-1511-000		(Gold plated)
1484-7511-000		(Nickel plated)

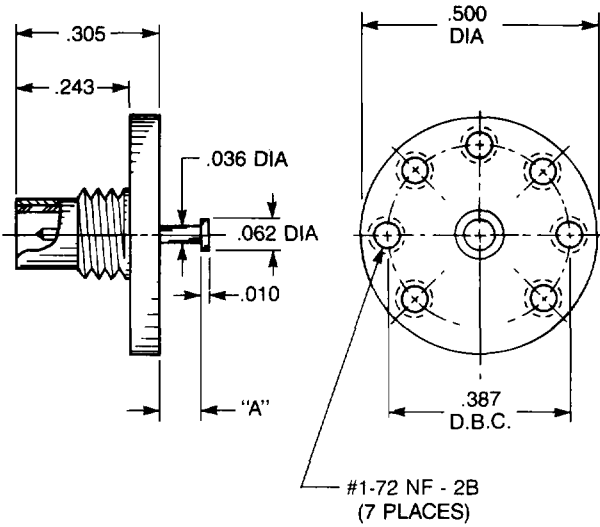


**Right Angle Male
Panel Receptacle**

A sq.	B	C dia.
.500	.340	.102
1490-1511-000		(Gold plated)
1490-7511-000		(Nickel plated)

A sq.	B	C dia.
.375	.232	.093
1488-1511-000		(Gold plated)
1488-7511-000		(Nickel plated)

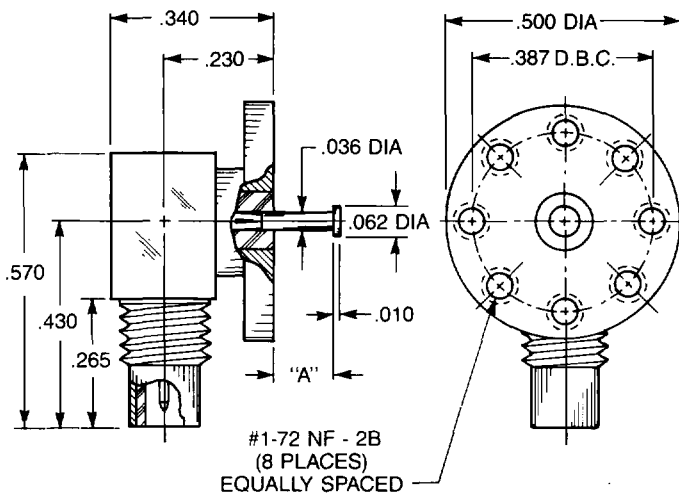




Straight Male Top Launch Jack

- Non-captive contact

Dim. A	Part number	
.031	1029-1211-001	(Gold plated)
	1029-7211-001	(Nickel plated)
.063	1029-1211-002	(Gold plated)
	1029-7211-002	(Nickel plated)
.125	1029-1211-003	(Gold plated)
	1029-7211-003	(Nickel plated)



Right Angle Male Top Launch Jack

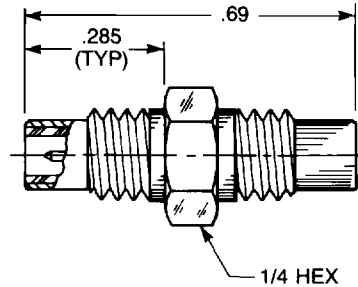
- Removable rear contact

Dim. A	Part number	
.031	1092-1511-001	(Gold plated)
	1092-7511-001	(Nickel plated)
.063	1092-1511-002	(Gold plated)
	1092-7511-002	(Nickel plated)
.125	1092-1511-003	(Gold plated)
	1092-7511-003	(Nickel plated)

**Straight Male
Jack To Jack Adapter**

- Connects two plugs

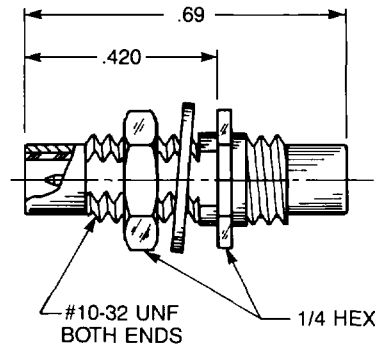
5813-1501-000 (Gold plated)
5813-7501-000 (Nickel plated)



**Bulkhead Mounted
Straight Male
Jack To Jack Adapter**

- Connects two plugs
- For .093" max. panel

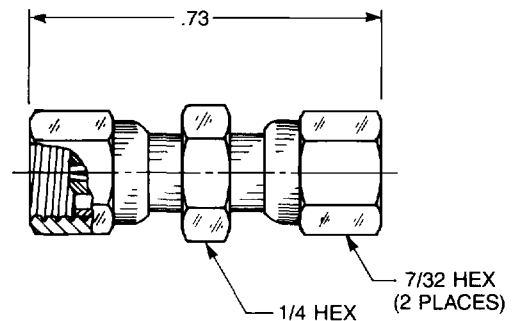
5822-1501-000 (Gold plated)
5822-7501-000 (Nickel plated)



**Straight Female
Plug To Plug Adapter**

- Connects two jacks

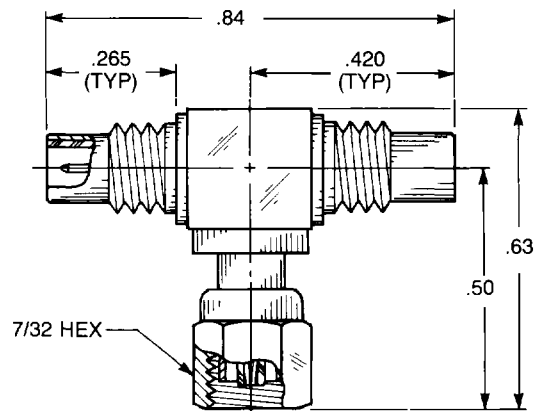
5816-1501-000 (Gold plated)
5816-7501-000 (Nickel plated)



**Tee Adapter
(Unmatched Power Divider)
Jack To Plug To Jack**

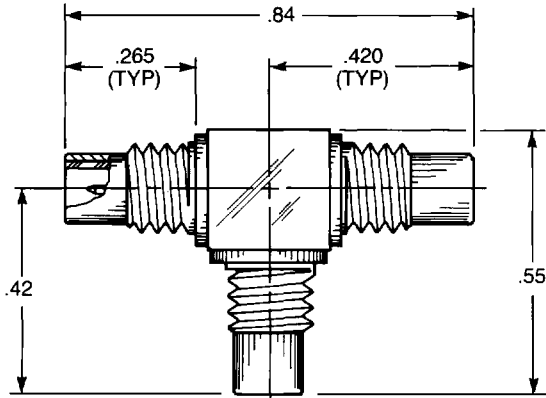
- Connects two plugs and one jack

5815-1501-000 (Gold plated)
5815-7501-000 (Nickel plated)





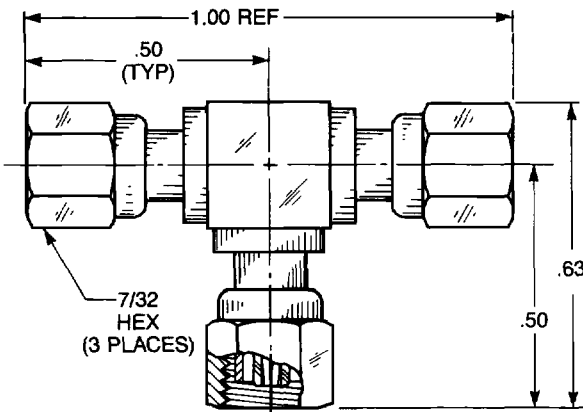
RESISTIVE TERMINATIONS



**Tee Adapter
(Unmatched Power Divider)
Jack To Jack To Jack**

- Connects three plugs

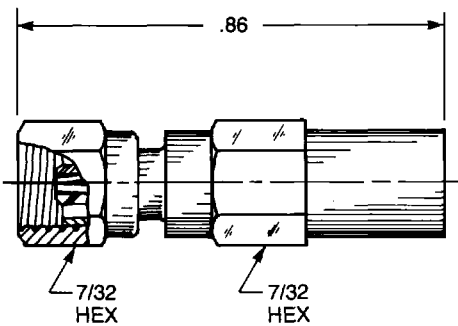
5807-1501-000 (Gold plated)
5807-7501-000 (Nickel plated)



**Tee Adapter
(Unmatched Power Divider)
Plug To Plug To Plug**

- Connects three jacks

5808-1501-000 (Gold plated)
5808-7501-000 (Nickel plated)



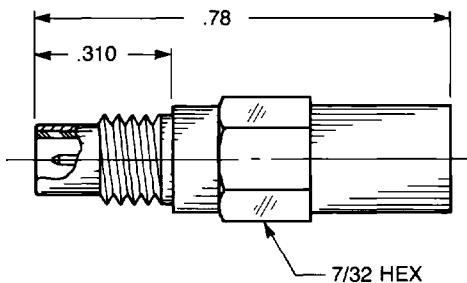
**Female Plug
Resistive Termination**

(Dummy load)

Standard resistor:
51 ohm, 1/2 watt,
5% tolerance

1036-1511-051 (Gold plated)
1036-7511-051 (Nickel plated)

Available with other resistances



**Male Jack
Resistive Termination**

(Dummy load)

Standard resistor:
51 ohm, 1/2 watt,
5% tolerance

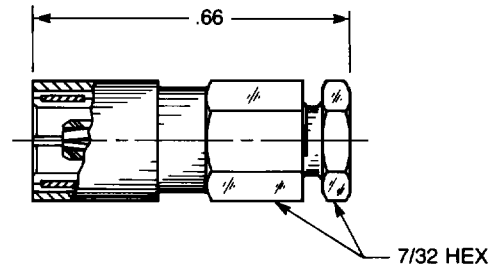
1037-1511-051 (Gold plated)
1037-7511-051 (Nickel plated)

Available with other resistances

Straight Female Cable Plug

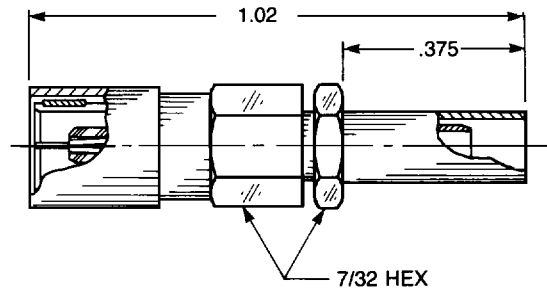
Clamp type for flexible cable:
3002-1551-0XX (Gold plated)
3002-7551-0XX (Nickel plated)

Solder-clamp for semi-rigid cable:
3002-1541-0XX (Gold plated)
3002-7541-0XX (Nickel plated)



Straight Female Cable Plug

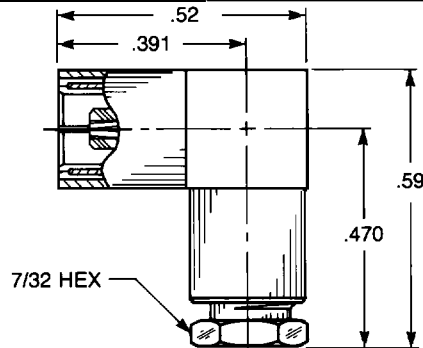
Crimp type for flexible cable:
3002-1571-0XX (Gold plated)
3002-7571-0XX (Nickel plated)



Right Angle Female Cable Plug

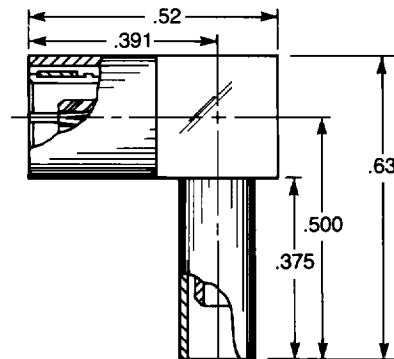
Clamp type for flexible cable:
3005-1551-0XX (Gold plated)
3005-7551-0XX (Nickel plated)

Solder-clamp for semi-rigid cable:
3005-1541-0XX (Gold plated)
3005-7541-0XX (Nickel plated)



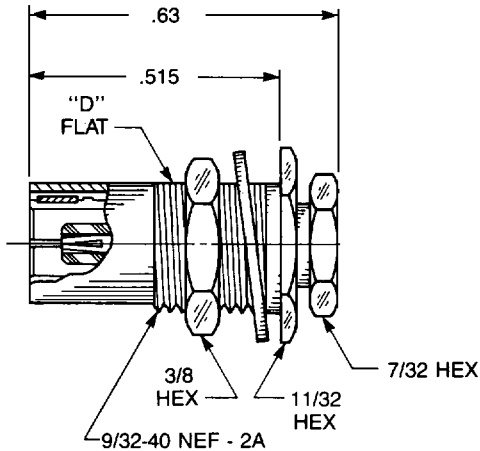
Right Angle Female Cable Plug

Crimp type for flexible cable:
3105-1521-0XX (Gold plated)
3105-7521-0XX (Nickel plated)



Substitute the appropriate cable group for 'XX':

02	RG178, RG196, M17/93, M17/169	09	.141" semi-rigid, RG402, M17/130
03	RG174, RG179, RG316, M17/113, M17/119, M17/172, M17/173	10	.085" semi-rigid, RG405, M17/133
05	RG178DS, RG196DS	19	RG174DS, RG316DS, M17/152, Times RD316

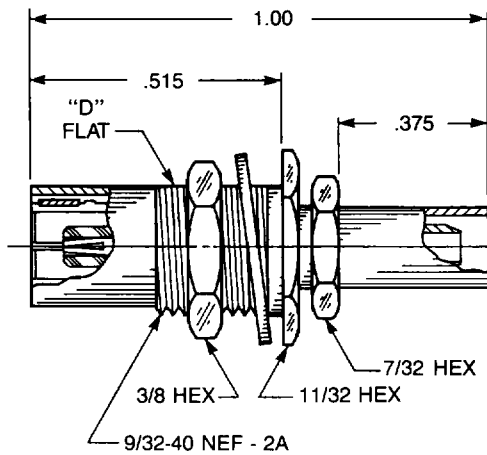


Bulkhead Mounted Straight Female Cable Plug

Clamp type for flexible cable:
3028-1551-0XX (Gold plated)
3028-7551-0XX (Nickel plated)

Solder-clamp for semi-rigid cable:
3028-1541-0XX (Gold plated)
3028-7541-0XX (Nickel plated)

See page 92 for float-mount version



Bulkhead Mounted Straight Female Cable Plug

Crimp type for flexible cable:
3028-1571-0XX (Gold plated)
3028-7571-0XX (Nickel plated)

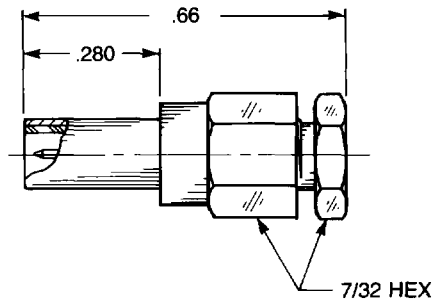
See page 92 for float-mount version

Substitute the appropriate cable group for 'XX':	
02	RG178, RG196, M17/93, M17/169
03	RG174, RG179, RG316, M17/113, M17/119, M17/172, M17/173
05	RG178DS, RG196DS
09	.141" semi-rigid, RG402, M17/130
10	.085" semi-rigid, RG405, M17/133
19	RG174DS, RG316DS, M17/152, Times RD316

Straight Male Cable Jack

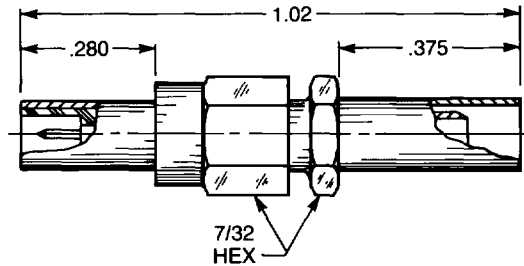
Clamp type for flexible cable:
3001-1551-0XX (Gold plated)
3001-7551-0XX (Nickel plated)

Solder-clamp for semi-rigid cable:
3001-1541-0XX (Gold Plated)
3001-7541-0XX (Nickel plated)



Straight Male Cable Jack

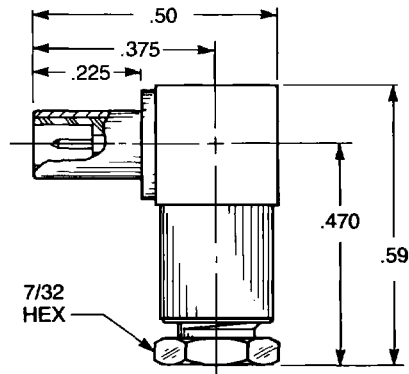
Crimp type for flexible cable:
3001-1571-0XX (Gold plated)
3001-7571-0XX (Nickel plated)



Right Angle Male Cable Jack

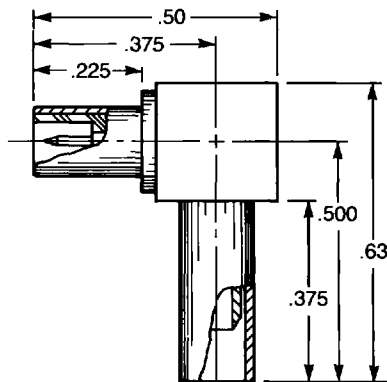
Clamp type for flexible cable:
3041-1551-0XX (Gold plated)
3041-7551-0XX (Nickel plated)

Solder-clamp for semi-rigid cable:
3041-1541-0XX (Gold plated)
3041-7541-0XX (Nickel plated)



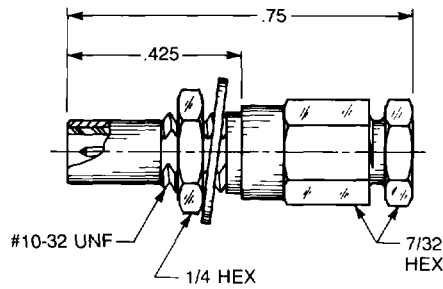
Right Angle Male Cable Jack

Crimp type for flexible cable:
3141-1521-0XX (Gold plated)
3141-7521-0XX (Nickel plated)



Substitute the appropriate cable group for 'XX':

02	RG178, RG196, M17/93, M17/169	09	.141" semi-rigid, RG402, M17/130
03	RG174, RG179, RG316, M17/113, M17/119, M17/172, M17/173	10	.085" semi-rigid, RG405, M17/133
05	RG178DS, RG196DS	19	RG174DS, RG316DS, M17/152, Times RD316

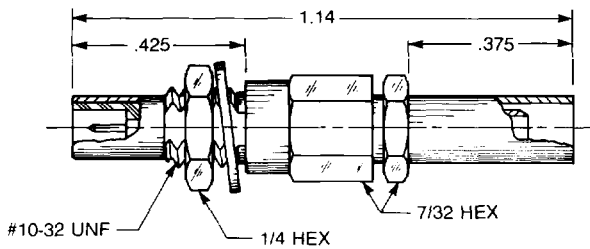


Straight Male Bulkhead Cable Jack

Clamp type for flexible cable:
3003-1551-0XX (Gold plated)
3003-7551-0XX (Nickel plated)

Solder-clamp for semi-rigid cable:
3003-1541-0XX (Gold plated)
3003-7541-0XX (Nickel plated)

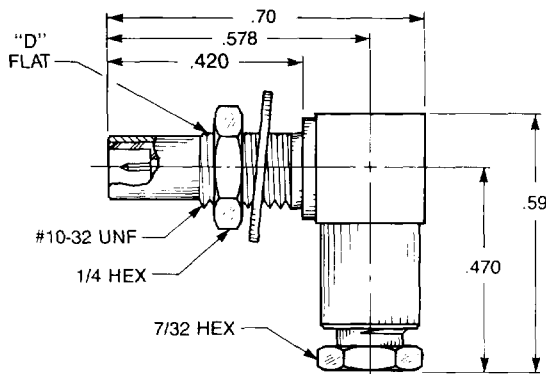
See page 93 for float-mount version



Straight Male Bulkhead Cable Jack

Crimp type for flexible cable:
3003-1571-0XX (Gold plated)
3003-7571-0XX (Nickel plated)

See page 93 for float-mount version

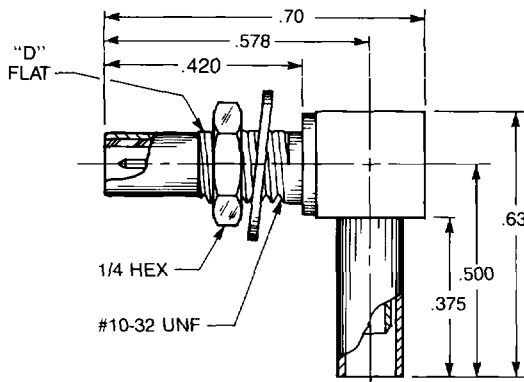


Right Angle Male Bulkhead Cable Jack

Clamp type for flexible cable:
3006-1551-0XX (Gold plated)
3006-7551-0XX (Nickel plated)

Solder-clamp for semi-rigid cable:
3006-1541-0XX (Gold plated)
3006-7541-0XX (Nickel plated)

See page 94 for float-mount version



Right Angle Male Bulkhead Cable Jack

Crimp type for flexible cable:
3106-1521-0XX (Gold plated)
3106-7521-0XX (Nickel plated)

See page 94 for float-mount version

Substitute the appropriate cable group for 'XX':

02	RG178, RG196, M17/93, M17/169	09	.141" semi-rigid, RG402, M17/130
03	RG174, RG179, RG316, M17/113, M17/119, M17/172, M17/173	10	.085" semi-rigid, RG405, M17/133
05	RG178DS, RG196DS	19	RG174DS, RG316DS, M17/152, Times RD316

Designed for use with .093" max thick panel
 See page 143 for D flat location in relation to hex.

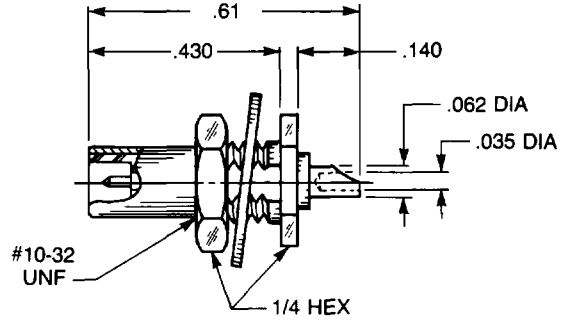


Straight Male Bulkhead Jack Receptacle

- Solder pot contact
- Rear mount

3004-1511-000 (Gold plated)
 3004-7511-000 (Nickel plated)

See page 95 for float-mount version

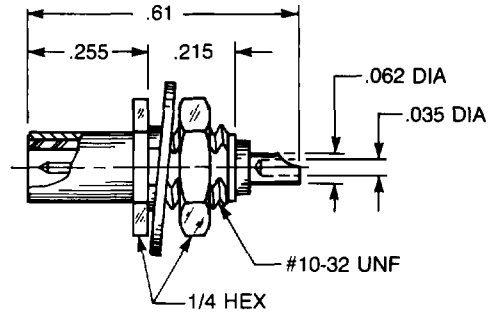


Straight Male Bulkhead Jack Receptacle

- Solder pot contact
- Front mount

3019-1511-000 (Gold plated)
 3019-7511-000 (Nickel plated)

See page 95 for float-mount version

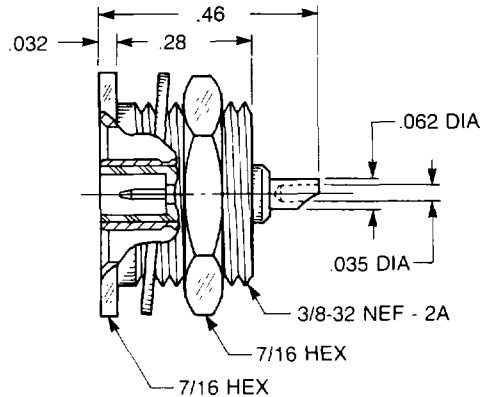


Straight Male Bulkhead Jack Receptacle

- Solder pot contact
- Recessed front mount

3014-1511-000 (Gold plated)
 3014-7511-000 (Nickel plated)

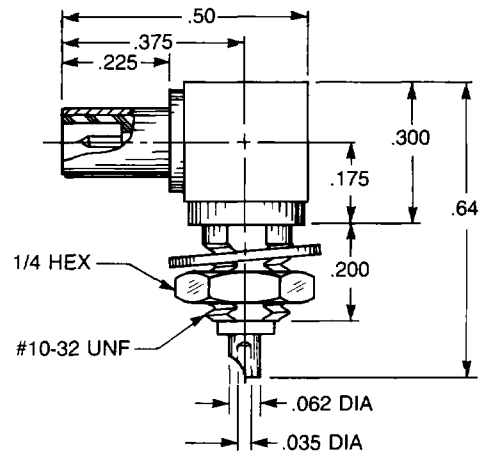
See page 95 for float-mount version

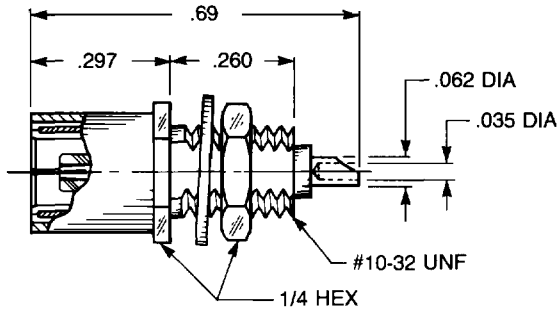


Right Angle Male Bulkhead Jack Receptacle

- Solder pot contact
- Front mount

3012-1511-000 (Gold plated)
 3012-7511-000 (Nickel plated)



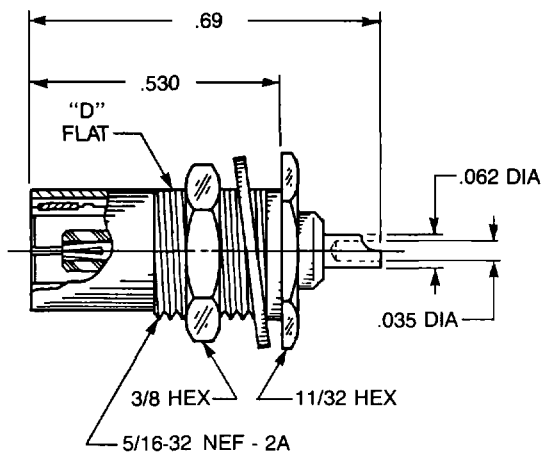


Straight Female Bulkhead Plug Receptacle

- Solder pot contact
- Front mount

3017-1511-000 (Gold plated)
3017-7511-000 (Nickel plated)

See page 96 for float-mount version

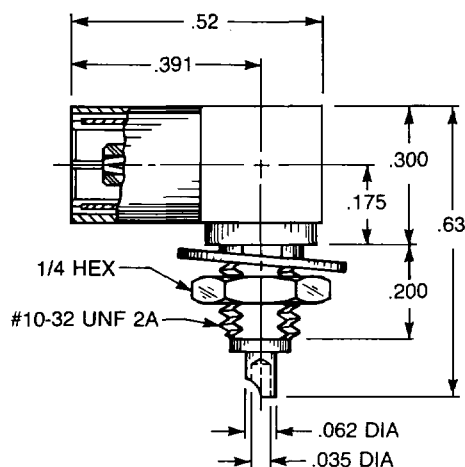


Straight Female Bulkhead Plug Receptacle

- Solder pot contact
- Rear mount

3048-1511-000 (Gold plated)
3048-7511-000 (Nickel plated)

See page 96 for float-mount version



Right Angle Female Bulkhead Plug Receptacle

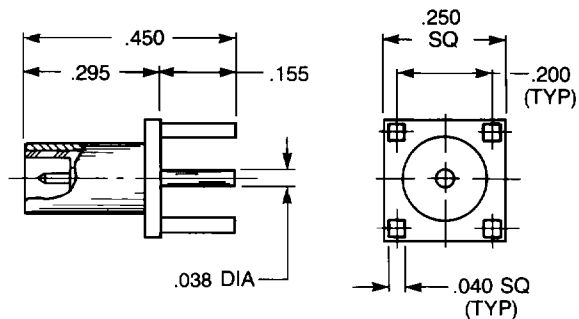
- Solder pot contact
- Front mount

3097-1511-000 (Gold plated)
3097-7511-000 (Nickel plated)

Designed for use with .093" max thick panel

Straight Male Jack Receptacle

- 3009-1511-000 (Gold plated)
- 3009-7511-000 (Nickel plated)



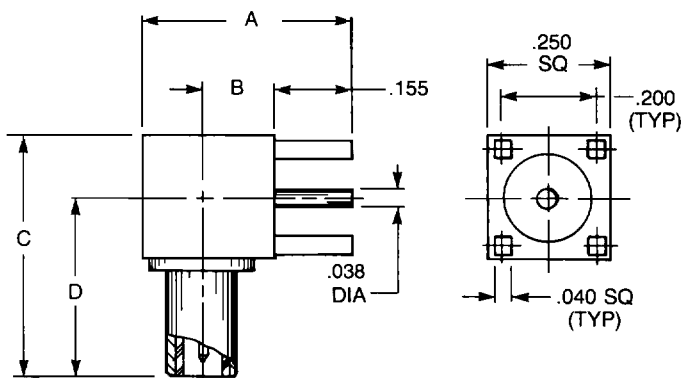
Right Angle Male Jack Receptacle

A	B	C	D
.43	.15	.50	.38

- 3010-1511-000 (Gold plated)
- 3010-7511-000 (Nickel plated)

A	B	C	D
.50	.215	.56	.437

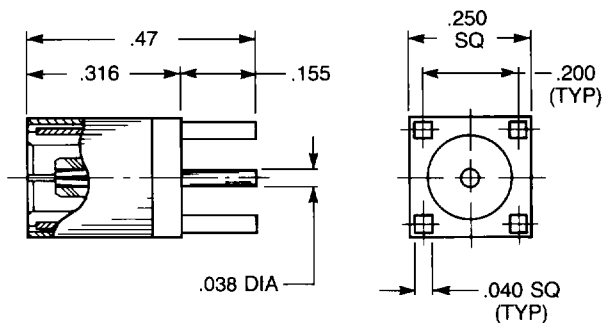
- 3010-1511-003 (Gold plated)
- 3010-7511-003 (Nickel plated)



Straight Female Plug Receptacle

- 3025-1511-000 (Gold plated)
- 3025-7511-000 (Nickel plated)

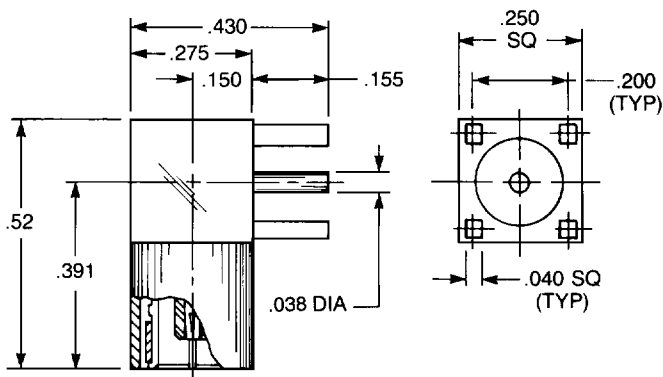
See page 97 for blind-mate version



Right Angle Female Plug Receptacle

- 3042-1511-000 (Gold plated)
- 3042-7511-000 (Nickel plated)

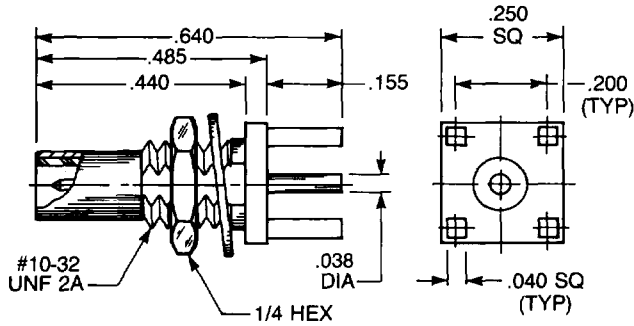
See page 97 for blind-mate version





P.C. BOARD RECEPTACLES

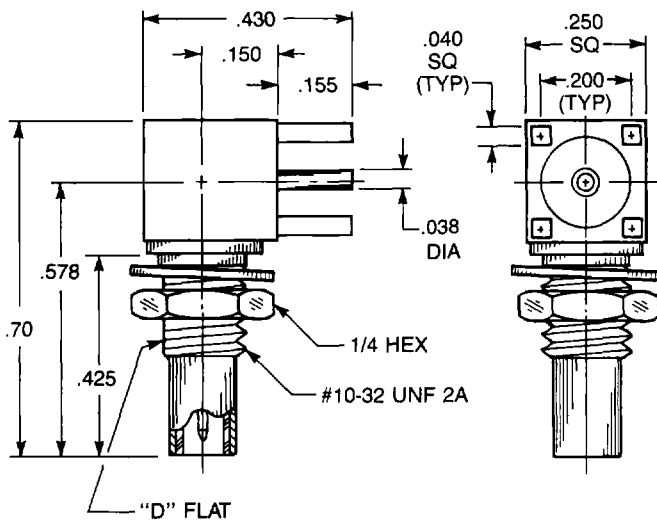
ADAPTERS



Bulkhead Mounted Straight Male Jack P.C. Board Receptacle

- 3109-1511-000 (Gold plated)
- 3109-7511-000 (Nickel plated)

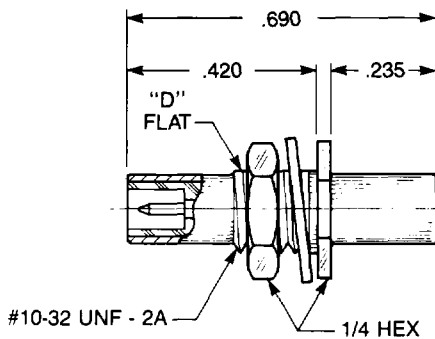
See page 97 for float-mount version



Bulkhead Mounted Right Angle Male Jack P.C. Board Receptacle

- 3110-1511-000 (Gold plated)
- 3110-7511-000 (Nickel plated)

See page 97 for float-mount version



Bulkhead Mounted Straight Male Jack to Jack Adapter

- 5252-1501-000 (Gold plated)
- 5252-7501-000 (Nickel plated)

See page 96 for float-mount version



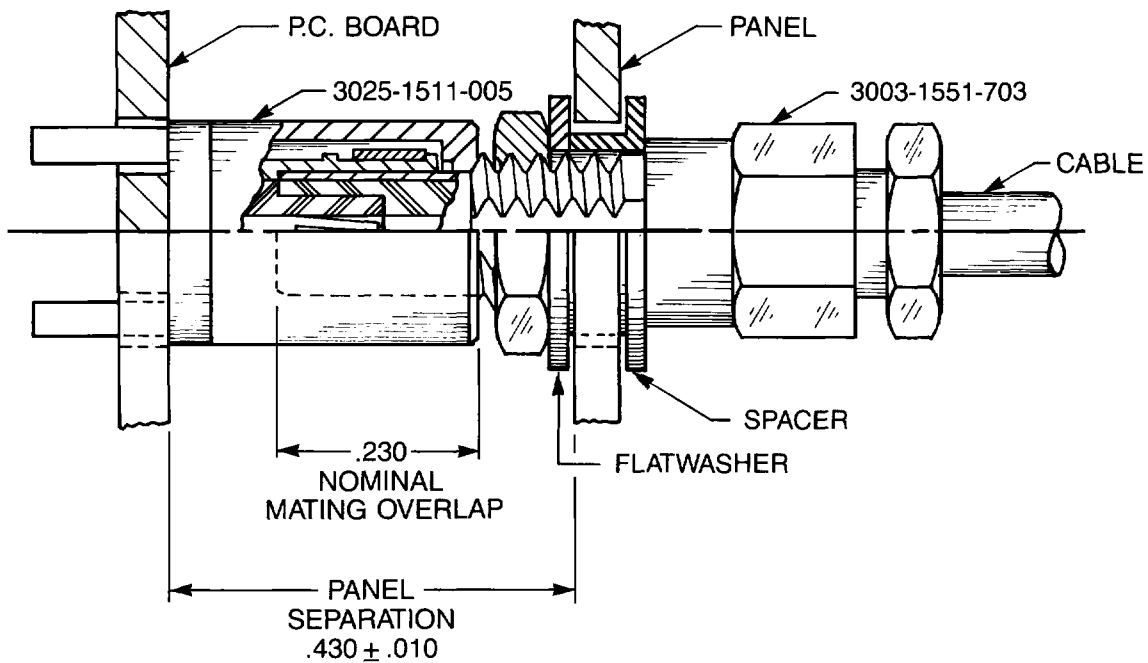
AEP SLB series connectors can provide a low-cost alternative to other float mount/blind mate connector systems in applications below 4 GHz.

The radial float of the panel mounted connectors, combined with the closed-entry mating end hood of the plugs, allows the mating pairs to be misaligned up to about .025" without damage occurring during mating. Since the axial float is not spring-loaded, panel-to-panel separation should be maintained within $\pm .010$ ".

Mating force per connector is 3 pounds maximum, and unmating force is 8 ounces minimum. External actuators, such as levers or jackscrews, should be considered in applications requiring simultaneous mating of multiple connector pairs, especially when one side is P.C. board mounted.

We recommend that only one side of the mating pair be float mounted.

MATING DETAIL, 3025-1511-005 AND 3003-1551-703

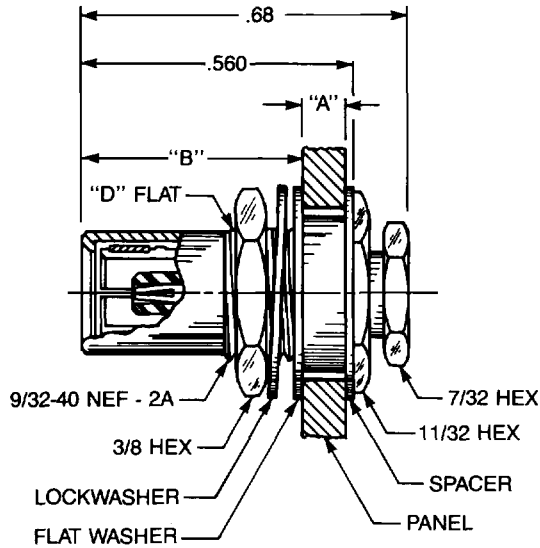


To determine panel separation: Add projection from panel or P.C. board for each connector used and subtract mating overlap (.230). Projection for each connector is shown on product pages, and is with all axial float loaded toward panel. Axial float is .008" for all items. Lockwasher is not included with connectors for .093" panel.

Radial float: When desired float is determined, drill panel to .230" diameter plus float amount.



FLOAT MOUNT / BLIND MATE

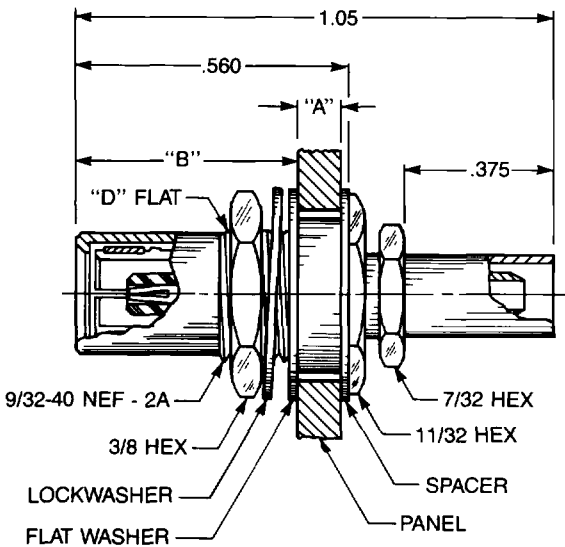


**Bulkhead Mounted
Straight Female Cable Plug
Float Mount/Blind Mate**

- Closed-entry mating end hood

Dim. A	Dim. B	Clamp type for flexible cable:
.031	.500	3028-1551-5XX (Gold plated) 3028-7551-5XX (Nickel plated)
.062	.469	3028-1551-6XX (Gold plated) 3028-7551-6XX (Nickel plated)
.093	.438	3028-1551-7XX (Gold plated) 3028-7551-7XX (Nickel plated)

Dim. A	Dim. B	Solder-clamp for semi-rigid cable:
.031	.500	3028-1541-5XX (Gold plated) 3028-7541-5XX (Nickel plated)
.062	.469	3028-1541-6XX (Gold plated) 3028-7541-6XX (Nickel plated)
.093	.438	3028-1541-7XX (Gold plated) 3028-7541-7XX (Nickel plated)



**Bulkhead Mounted
Straight Female Cable Plug
Float Mount/Blind Mate**

- Closed-entry mating end hood

Dim. A	Dim. B	Crimp type for flexible cable:
.031	.500	3028-1571-5XX (Gold plated) 3028-7571-5XX (Nickel plated)
.062	.469	3028-1571-6XX (Gold plated) 3028-7571-6XX (Nickel plated)
.093	.438	3028-1571-7XX (Gold plated) 3028-7571-7XX (Nickel plated)

Substitute the appropriate cable group for 'XX':			
02	RG178, RG196, M17/93, M17/169	09	.141" semi-rigid, RG402, M17/130
03	RG174, RG179, RG316, M17/113, M17/119, M17/172, M17/173	10	.085" semi-rigid, RG405, M17/133
05	RG178DS, RG196DS	19	RG174DS, RG316DS, M17/152, Times RD316

BULKHEAD CABLE JACKS

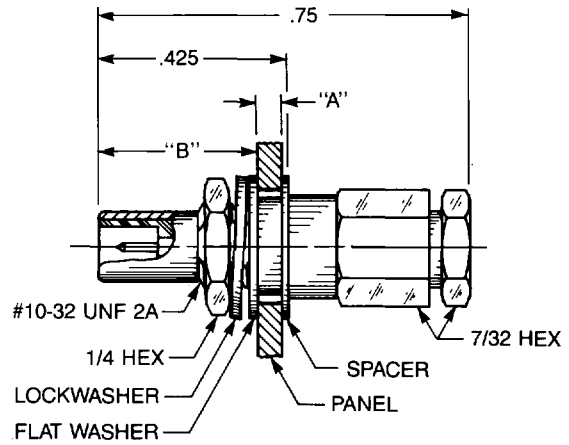


FLOAT MOUNT / BLIND MATE

Float Mount Straight Male Bulkhead Cable Jack

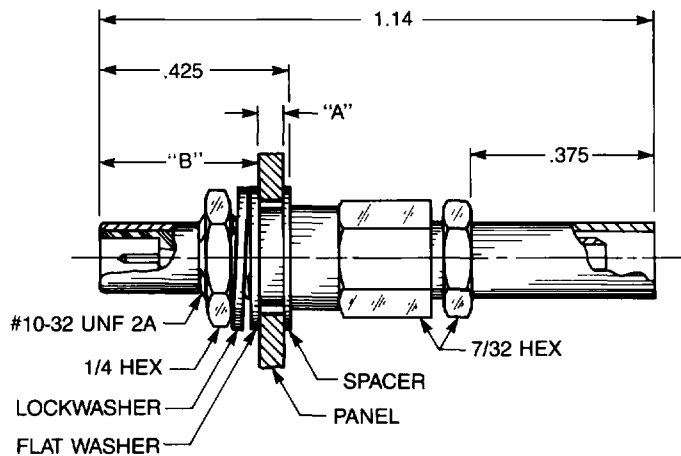
Dim. A	Dim. B	Clamp type for flexible cable:
.031	.365	3003-1551-5XX (Gold plated) 3003-7551-5XX (Nickel plated)
.062	.334	3003-1551-6XX (Gold plated) 3003-7551-6XX (Nickel plated)
.093	.303	3003-1551-7XX (Gold plated) 3003-7551-7XX (Nickel plated)

Dim. A	Dim. B	Solder-clamp for semi-rigid cable:
.031	.365	3003-1541-5XX (Gold plated) 3003-7541-5XX (Nickel plated)
.062	.334	3003-1541-6XX (Gold plated) 3003-7541-6XX (Nickel plated)
.093	.303	3003-1541-7XX (Gold plated) 3003-7541-7XX (Nickel plated)



Float Mount Straight Male Bulkhead Cable Jack

Dim. A	Dim. B	Crimp type for flexible cable:
.031	.365	3003-1571-5XX (Gold plated) 3003-7571-5XX (Nickel plated)
.062	.334	3003-1571-6XX (Gold plated) 3003-7571-6XX (Nickel plated)
.093	.303	3003-1571-7XX (Gold plated) 3003-7571-7XX (Nickel plated)



Substitute the appropriate cable group for 'XX':

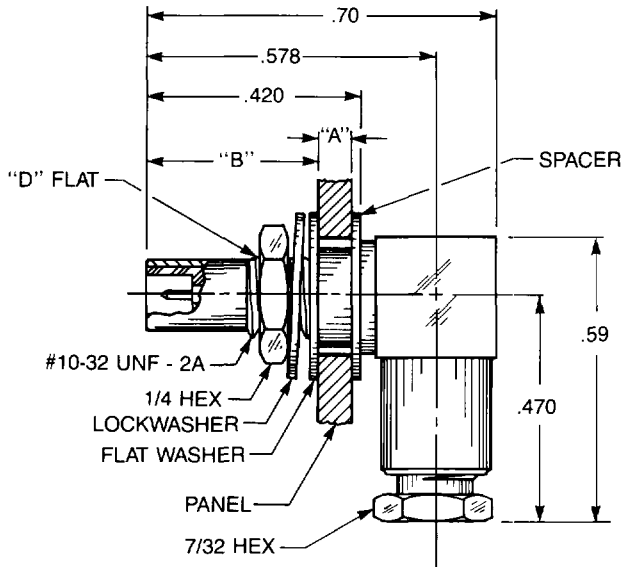
02	RG178, RG196, M17/93, M17/169	09	.141" semi-rigid, RG402, M17/130
03	RG174, RG179, RG316, M17/113, M17/119, M17/172, M17/173	10	.085" semi-rigid, RG405, M17/133
05	RG178DS, RG196DS	19	RG174DS, RG316DS, M17/152, Times RD316



BULKHEAD JACK RECEPTACLES

FLOAT MOUNT / BLIND MATE

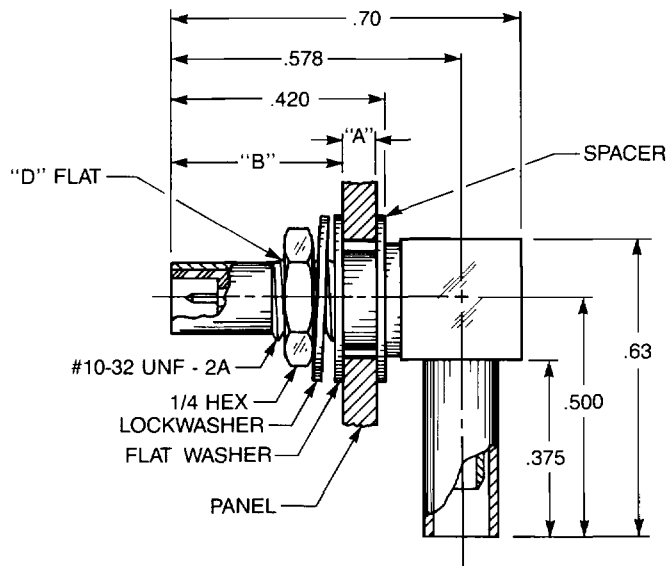
Float Mount Right Angle Male Bulkhead Cable Jack



Dim. A	Dim. B	Clamp type for flexible cable:
.031	.360	3006-1551-5XX (Gold plated)
		3006-7551-5XX (Nickel plated)
.062	.329	3006-1551-6XX (Gold plated)
		3006-7551-6XX (Nickel plated)
.093	.298	3006-1551-7XX (Gold plated)
		3006-7551-7XX (Nickel plated)

Dim. A	Dim. B	Solder-clamp for semi-rigid cable:
.031	.360	3006-1541-5XX (Gold plated)
		3006-7541-5XX (Nickel plated)
.062	.329	3006-1541-6XX (Gold plated)
		3006-7541-6XX (Nickel plated)
.093	.298	3006-1541-7XX (Gold plated)
		3006-7541-7XX (Nickel plated)

Float Mount Right Angle Male Bulkhead Cable Jack



Dim. A	Dim. B	Crimp type for flexible cable:
.031	.360	3106-1521-5XX (Gold plated)
		3106-7521-5XX (Nickel plated)
.062	.329	3106-1521-6XX (Gold plated)
		3106-7521-6XX (Nickel plated)
.093	.298	3106-1521-7XX (Gold plated)
		3106-7521-7XX (Nickel plated)

Substitute the appropriate cable group for 'XX':			
02	RG178, RG196, M17/93, M17/169	09	.141" semi-rigid, RG402, M17/130
03	RG174, RG179, RG316, M17/113, M17/119, M17/172, M17/173	10	.085" semi-rigid, RG405, M17/133
05	RG178DS, RG196DS	19	RG174DS, RG316DS, M17/152, Times RD316

See page 91 for float mount details

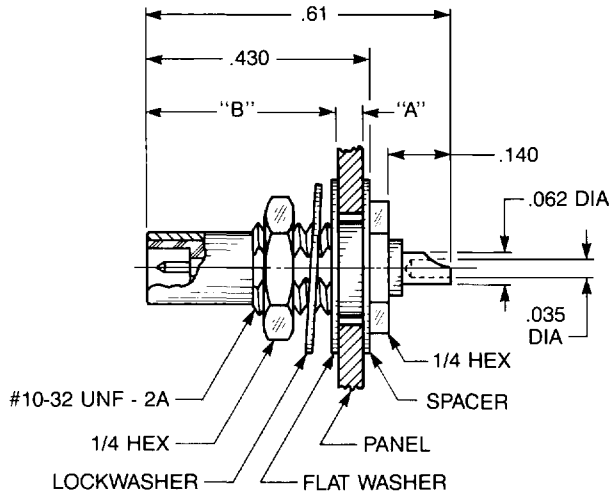
AEP New Haven, CT
203/776-2813

FLOAT MOUNT / BLIND MATE

Float Mount Straight Male Bulkhead Jack Receptacle

- Solder pot contact
- Rear mount

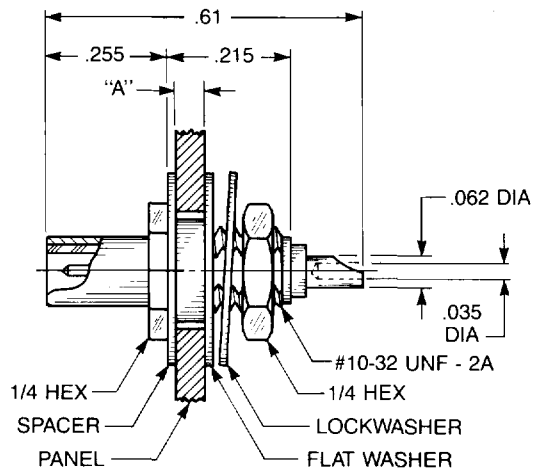
Dim. A	Dim. B	Part Number	Plating
.031	.370	3004-1511-500	(Gold plated)
		3004-7511-500	(Nickel plated)
.062	.339	3004-1511-600	(Gold plated)
		3004-7511-600	(Nickel plated)
.093	.308	3004-1511-700	(Gold plated)
		3004-7511-700	(Nickel plated)



Float Mount Straight Male Bulkhead Jack Receptacle

- Solder pot contact
- Front mount

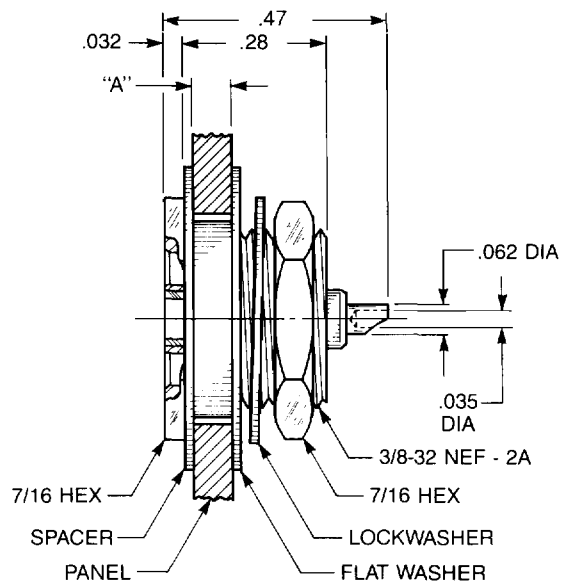
Dim. A	Part Number	Plating
.031	3019-1511-500	(Gold plated)
	3019-7511-500	(Nickel plated)
.062	3019-1511-600	(Gold plated)
	3019-7511-600	(Nickel plated)
.093	3019-1511-700	(Gold plated)
	3019-7511-700	(Nickel plated)



Float Mount Straight Male Bulkhead Jack Receptacle

- Solder pot contact
- Recessed front mount

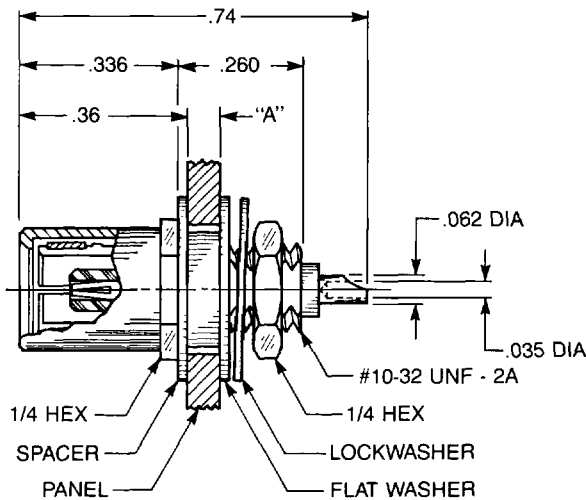
Dim. A	Part Number	Plating
.031	3014-1511-500	(Gold plated)
	3014-7511-500	(Nickel plated)
.062	3014-1511-600	(Gold plated)
	3014-7511-600	(Nickel plated)
.093	3014-1511-700	(Gold plated)
	3014-7511-700	(Nickel plated)





BULKHEAD PLUG RECEPTACLES

FLOAT MOUNT / BLIND MATE

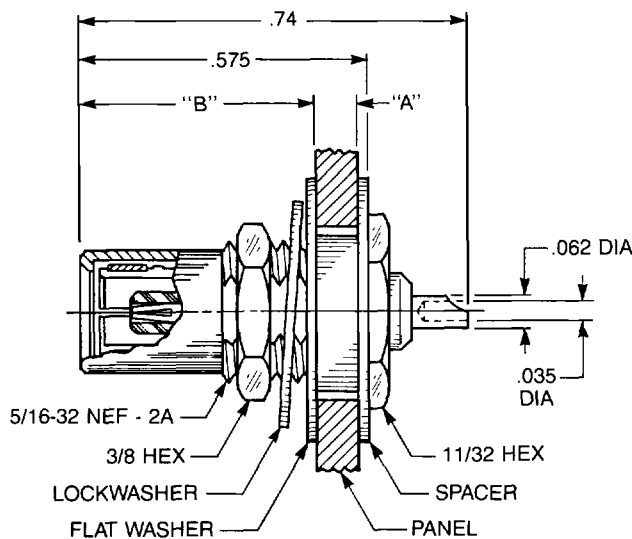


Float Mount Straight Female Bulkhead Plug Receptacle

- Solder pot contact
- Front mount
- Closed-entry mating end hood

Dim. A

.031	3017-1511-500	(Gold plated)
	3017-7511-500	(Nickel plated)
.062	3017-1511-600	(Gold plated)
	3017-7511-600	(Nickel plated)
.093	3017-1511-700	(Gold plated)
	3017-7511-700	(Nickel plated)

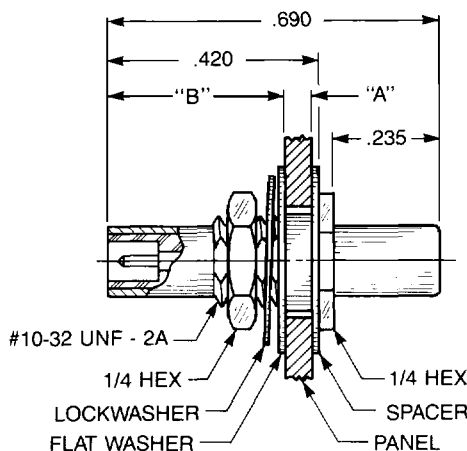


Float Mount Straight Female Bulkhead Plug Receptacle

- Solder pot contact
- Rear mount
- Closed-entry mating end hood

Dim. A Dim. B

.031	.515	3048-1511-500	(Gold plated)
		3048-7511-500	(Nickel plated)
.062	.484	3048-1511-600	(Gold plated)
		3048-7511-600	(Nickel plated)
.093	.453	3048-1511-700	(Gold plated)
		3048-7511-700	(Nickel plated)



Float Mount Straight Male Jack To Jack Adapter

- Connects two plugs

Dim. A Dim. B

.031	.360	5252-1501-500	(Gold plated)
		5252-7501-500	(Nickel plated)
.062	.329	5252-1501-600	(Gold plated)
		5252-7501-600	(Nickel plated)
.093	.298	5252-1501-700	(Gold plated)
		5252-7501-700	(Nickel plated)

See page 91 for float mount details

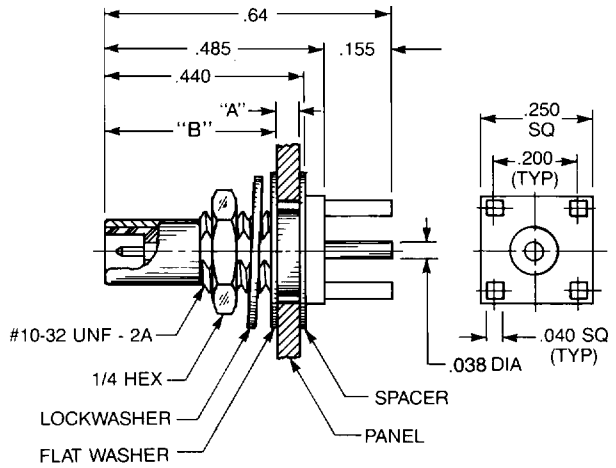
P.C. BOARD RECEPTACLES



FLOAT MOUNT / BLIND MATE

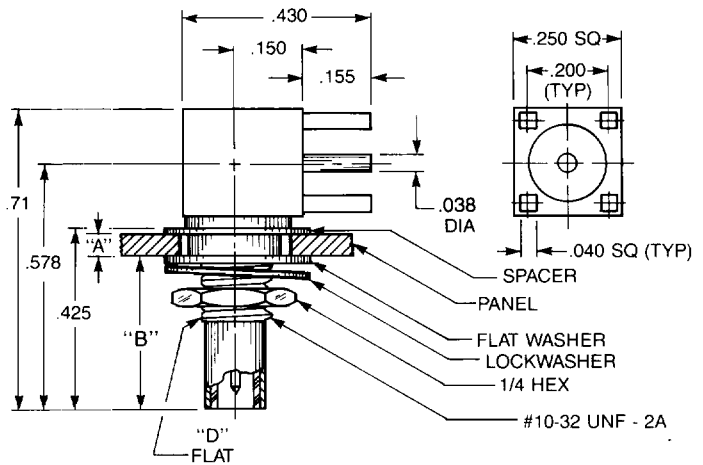
Float Mount Straight Male Jack P.C. Board Receptacle

Dim. A	Dim. B	Part Number	Plating
.031	.380	3109-1511-500	(Gold plated)
		3109-7511-500	(Nickel plated)
.062	.349	3109-1511-600	(Gold plated)
		3109-7511-600	(Nickel plated)
.093	.318	3109-1511-700	(Gold plated)
		3109-7511-700	(Nickel plated)



Float Mount Right Angle Male Jack P.C. Board Receptacle

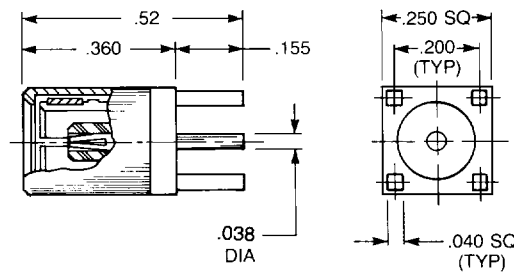
Dim. A	Dim. B	Part Number	Plating
.031	.365	3110-1511-500	(Gold plated)
		3110-7511-500	(Nickel plated)
.062	.334	3110-1511-600	(Gold plated)
		3110-7511-600	(Nickel plated)
.093	.303	3110-1511-700	(Gold plated)
		3110-7511-700	(Nickel plated)



Straight Female Plug P.C. Board Receptacle

- Closed-entry mating end hood

3025-1511-005 (Gold plated)
3025-7511-005 (Nickel plated)



Right Angle Female Plug P.C. Board Receptacle

- Closed-entry mating end hood

3042-1511-006 (Gold plated)
3042-7511-006 (Nickel plated)

