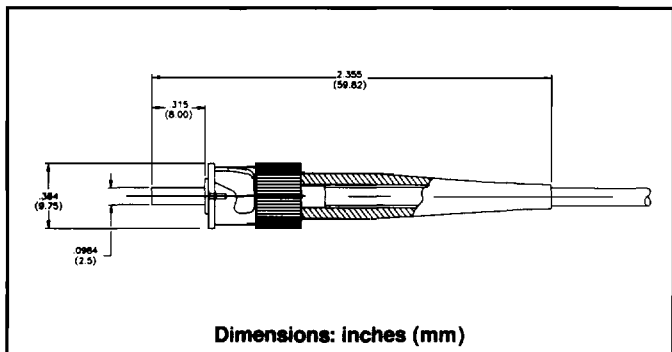
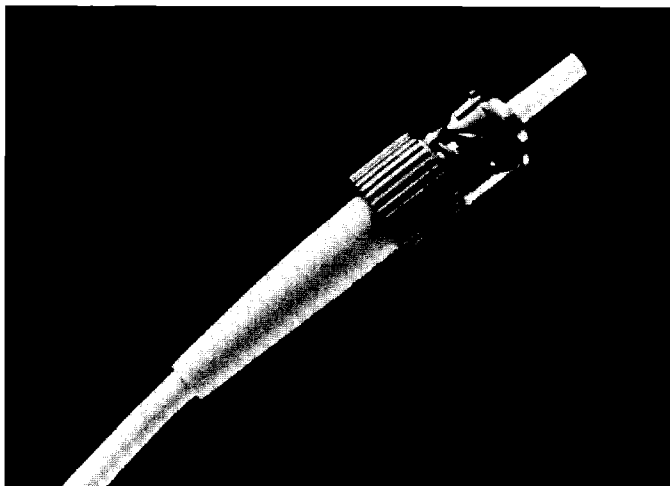


908 Series ST® Style Fiber Optic Connectors



Methode 908 Series ST® Style interconnects are optically and mechanically intermateable with AT&T ST® products and all other functional equivalents. The Methode 908 Series includes single mode and multimode connectors, couplings, device receptacles and factory connectorized assemblies. 908 Series ST® Style connectors feature a one piece nickel plated zinc body construction for easy field or factory termination in less time, and coupling nut with radial track to minimize mating effort. Methode ST® Style connectors are available with a variety of ceramic and polymer (LCP) fiber alignment ferrules, hole sizes, and bend relief boot colors. Methode's unique universal dust cap with lanyard makes sure that protection stays with your connection throughout its service life. No matter what the application, Methode has an ST® to match your fiber size, performance requirements, and budget.

Features

- Coupling nut radial track minimizes the rotation needed to mate the connector
- One-piece body construction simplifies field assembly
- Single mode and multimode versions available
- Accommodates tight and loose tube buffer cables with jacket ODs up to 3.1 mm
- Ceramic ferrules are configured for easy hand or machine PC and "Super" PC polishing
- Multimode connectors are available with ceramic or polymer ferrules
- Optional boot colors available: blue, white, red, beige (in addition to standard black, gray, and yellow boots)
- Polymer ferrule pedestal supports fiber during polishing — no epoxy bead
- Polymer ferrules are available for a variety of fiber sizes from 125 micron to 1.1 mm cladding diameter
- Standard .151" hex crimp
- Tested in accordance with Bellcore TR-TSY-000326
- Universal dust cap with lanyard (fits ST, SC, and FC connectors)

Materials:

Nut (All Connectors): Die Cast Zamak #5, Nickel Plated
 Body (All Ceramic Ferrule Connectors): Die Cast Zamak #5, Nickel Plated
 Body (All Polymer Ferrule Connectors): Reinforced Composite Polymer

Performance Characteristics

Ferrule Type	Fiber Size (microns)	Insertion Loss (dB)		Operating Temperature (°C)	Part Number (Individually Packaged)*
		Typical	Max Increase 500 Cycles		
Ceramic (Zirconia)	9/125	<0.2	<0.1	-40 to +85	G3-001-1
Ceramic	62.5/125	<0.2	<0.1	-40 to +85	H3-001-3
Ceramic	62.5/125+	<0.4	<0.1		H3-503-3
Polymer	62.5/125	<0.4	<0.1	-40 to +85	R3-H01-3
Polymer	62.5/125+	<0.4	<0.1		R3-H01-4
Polymer	100/140	<0.3	<0.1		R3-H01-5
Polymer	230	<0.3	<0.1		R3-H01-6
Polymer	500	<0.3	<0.1		R3-H01-7
Polymer	1,000	<0.3	<0.1		R3-H01-8

ST® Connector Termination Kit (US):	900-118-3010	Consumables Replacement Kit	
ST® Connector Termination Kit, 220V:	900-118-3014	(100 Terminations):	900-118-9017
ST® Connector Polishing Disk:	900-118-9002	"Super" PC Polishing Consumables	
ST® Termination Video Tape (US):	900-118-9004	Replacement Kit (500 Terminations):	900-118-9020
ST® Termination Video Tape (European):	900-118-9005		

*For bulk packaging, add "-B" suffix to part number. For connectors with traditional dust cap rather than universal dust cap with lanyard add "N" suffix. ©Registered trademark of AT&T Technologies