

DO NOT SCALE FROM THIS PRINT

DESIGNED & DIMENSIONED IN MILLIMETERS [INCHES]

ERF8-XXX-01-X-D-EMX-XXXX-TR

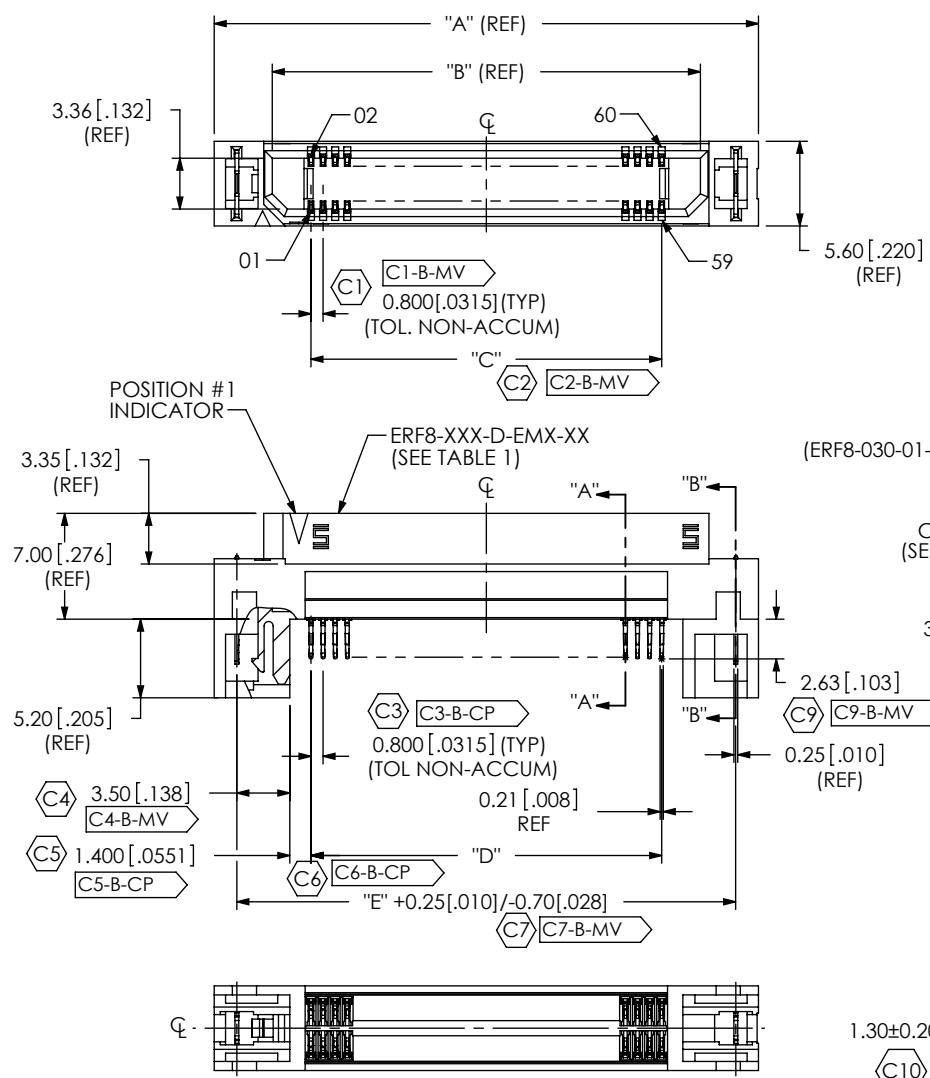


FIG. 1  
(ERF8-030-01-X-D-EM2 SHOWN)

No OF POSITIONS (PER ROW)  
-005, -010, -013, -020, -025, -030, -037, -040, -049, -50, -060, -070, -075

LEAD STYLE

PACKAGING  
-TR: TAPE & REEL  
STANDARD PACKAGING

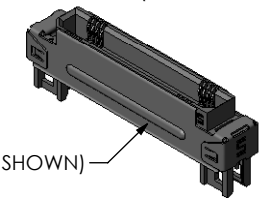
OPTIONS  
-EGPS: EXTENDED GUIDE POST SHIELD (-10, -20, -25 AND -30 POSITIONS ONLY)

TAIL OPTION  
-EM2: 1.58mm (.062) THICK PCB  
\*-EM3: 2.38mm (.093) THICK PCB

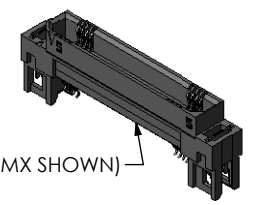
ROW SPECIFICATION  
-D: DOUBLE

PLATING SPECIFICATION  
-L: LIGHT SELECTIVE GOLD / MATTE TIN (USE C-221-XX-L)  
-S: SELECTIVE GOLD / MATTE TIN (USE C-221-XX-S)

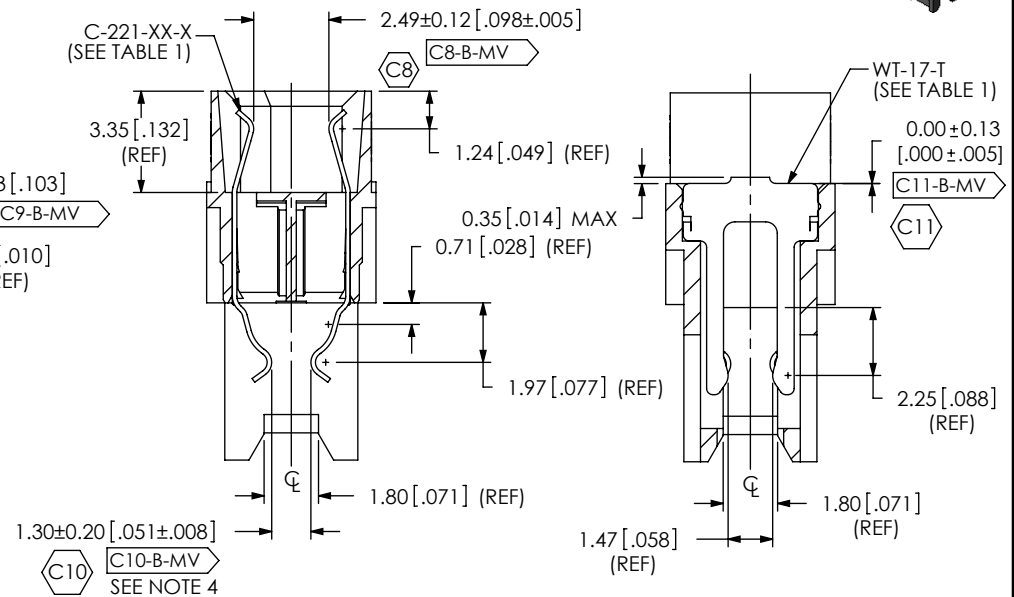
(\* = NOT TOOLED)  
(\*\* = NOT RELEASED FOR PRODUCTION)



(ERF8-030-01-X-D-EMX-EGPS SHOWN)



(ERF8-030-01-X-D-EMX SHOWN)



SECTION "A"- "A"  
SCALE 4 : 1

SECTION "B"- "B"  
SCALE 4 : 1

- NOTES:
1. Ⓢ REPRESENTS A CRITICAL DIMENSION.
  2. MINIMUM PUSHOUT FORCE: 2.22N [.5 LB].
  3. NOTE DELETED.
  4. TO BE MEASURED USING GAGE PINS.
  5. FOR QUANTITIES UP TO 49 PIECES, NO LEADER, TRAILER, OR REEL WILL BE SUPPLIED. FOR QUANTITIES OF 50-124 PIECES, NO LEADER OR TRAILER WILL BE SUPPLIED.

TABLE 1			
TAIL OPTION	BODY P/N	CONTACT P/N	WELD TAB
-EM2	ERF8-XXX-D-EM2-XX	C-221-01-X	WT-17-T
*-EM3	ERF8-XXX-D-EM3-XX	C-221-02-X	WT-17-T

(\* = NOT TOOLED)

UNLESS OTHERWISE SPECIFIED, DIMENSIONS ARE IN MILLIMETERS. TOLERANCES ARE:  
DECIMALS ANGLES  
.X: ±0.3 [0.1] 2°  
.XX: ±0.13 [0.05]  
.XXX: ±0.051 [0.020]

PROPRIETARY NOTE  
THIS DOCUMENT CONTAINS INFORMATION CONFIDENTIAL AND PROPRIETARY TO SAMTEC, INC. AND SHALL NOT BE REPRODUCED OR TRANSFERRED TO OTHER DOCUMENTS OR DISCLOSED TO OTHERS OR USED FOR ANY PURPOSE OTHER THAN THAT WHICH IT WAS OBTAINED WITHOUT THE EXPRESSED WRITTEN CONSENT OF SAMTEC, INC.



520 PARK EAST BLVD, NEW ALBANY, IN 47150  
PHONE: 812-944-6733 FAX: 812-948-5047  
e-Mail: info@SAMTEC.com code: 55322

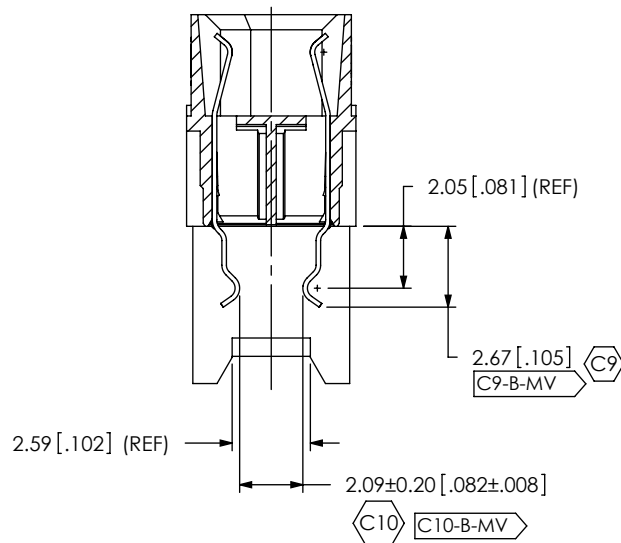
MATERIAL: INSULATOR: LCP  
CONTACTS: BeCu  
WELD TABS: PHOS BRONZE  
SHIELD: PHOS BRONZE

DESCRIPTION:  
.8MM EDGE RATE-EM SOCKET ASSEMBLY  
DWG. NO.  
ERF8-XXX-01-X-D-EMX-XXXX-TR  
BY: KNOWLDEN 09/26/2006 SHEET 1 OF 3

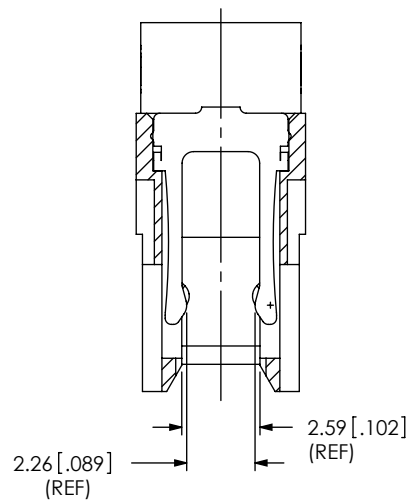
POSITION	"A"	"B"	"C"	"D"	"E"
-005	16.00 [.630]	8.32 [.328]	3.20 [.126]	3.20 [.126]	13.00 [.512]
-010	20.00 [.787]	12.32 [.485]	7.20 [.284]	7.20 [.284]	17.00 [.765]
-013	22.40 [.882]	14.72 [.580]	9.60 [.378]	9.60 [.378]	19.40 [.669]
-020	28.00 [1.102]	20.32 [.800]	15.20 [.598]	15.20 [.598]	25.00 [.984]
-025	32.00 [1.260]	24.32 [.960]	19.20 [.760]	19.20 [.760]	29.00 [1.142]
-030	36.00 [1.417]	28.32 [1.115]	23.20 [.913]	23.20 [.913]	33.00 [1.299]
-037	39.20 [1.543]	31.52 [1.241]	26.40 [1.039]	26.40 [1.039]	36.20 [1.425]
-040	44.00 [1.732]	36.32 [1.430]	31.20 [1.228]	31.20 [1.228]	41.00 [1.614]
-049	51.20 [2.016]	43.52 [1.713]	38.40 [1.512]	38.40 [1.512]	48.20 [1.898]
-050	52.00 [2.047]	44.32 [1.745]	39.20 [1.543]	39.20 [1.543]	49.00 [1.929]
-060	60.00 [2.362]	52.32 [2.060]	47.20 [1.858]	47.20 [1.858]	57.00 [2.244]
-070	68.00 [2.677]	60.32 [2.375]	55.20 [2.173]	55.20 [2.173]	65.00 [2.559]
-075	72.00 [2.835]	64.32 [2.532]	59.20 [2.331]	59.20 [2.331]	69.00 [2.717]

-DV P/N	-EM P/N	"F"
ERM8-XXX-02.0-X-DV	ERF8-XXX-X-D-EMX	8.800
*ERM8-XXX-05.0-X-DV	ERF8-XXX-X-D-EMX	11.800

(\* = NOT TOOLED)



SECTION "A"-"A"  
SCALE 4 : 1  
(ERF8-XXX-01-X-D-EM3-XX)  
(SAME AS FIG. 1)  
(EXCEPT AS SHOWN)



SECTION "B"-"B"  
SCALE 4 : 1  
(ERF8-XXX-01-X-D-EM3-XX)  
(SAME AS FIG. 1)  
(EXCEPT AS SHOWN)

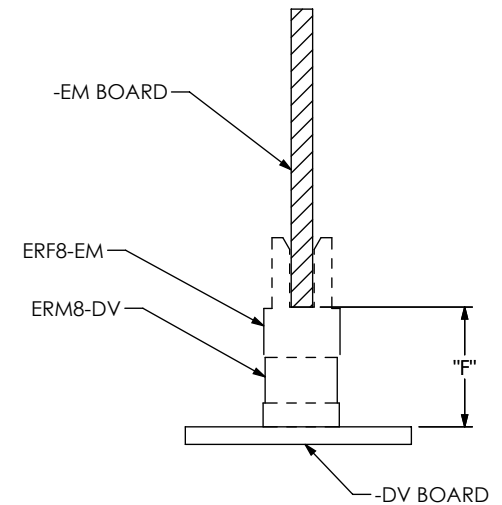


FIG. 2  
(ERF8-EM TO ERM8-DV)  
(SHOWING CIRCUIT BOARD SEPARATION)

ASSEMBLY OPERATION	START-UP INSPECTION INSPECT CODE A	IN-PROCESS INSPECTION INSPECT CODE B
FILL C-221-XX-X		C1, C2, C3, C5, C6, C8, C9, C10
FILL WT-17-XX-X		C4, C5, C7, C11
ASSEMBLE SH29-XX-05-X		C12, C13

PROPRIETARY NOTE  
THIS DOCUMENT CONTAINS INFORMATION  
CONFIDENTIAL AND PROPRIETARY TO  
SAMTEC, INC. AND SHALL NOT BE REPRODUCED  
OR TRANSFERRED TO OTHER DOCUMENTS OR  
DISCLOSED TO OTHERS OR USED FOR ANY  
PURPOSE OTHER THAN THAT WHICH IT WAS  
OBTAINED WITHOUT THE EXPRESSED WRITTEN  
CONSENT OF SAMTEC, INC.

DO NOT SCALE DRAWING

SHEET SCALE: 1:1

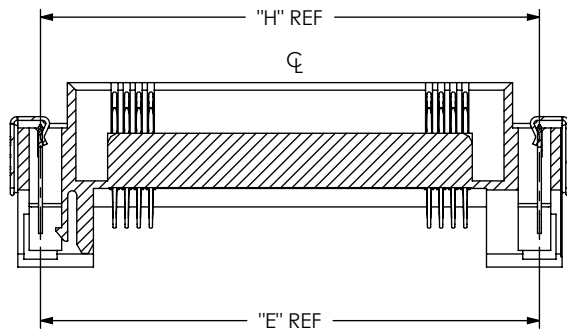
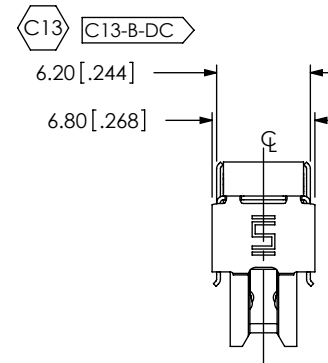
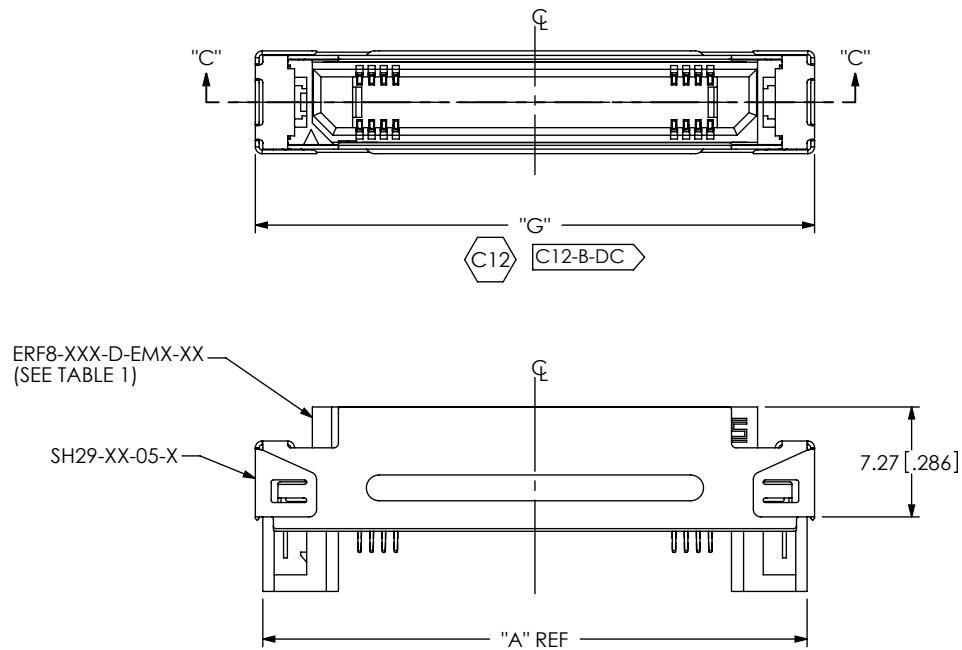


520 PARK EAST BLVD, NEW ALBANY, IN 47150  
PHONE: 812-944-6733 FAX: 812-948-5047  
e-Mail: info@SAMTEC.com code: 55322

DESCRIPTION:  
.8MM EDGE RATE-EM SOCKET ASSEMBLY

DWG. NO.  
ERF8-XXX-01-X-D-EMX-XXXX-TR

BY: KNOWLDEN 09/26/2006 SHEET 2 OF 3



SECTION "C"- "C"

FIG. 3  
(ERF8-030-01-X-D-EM2-EGPS SHOWN)  
(SAME AS FIG. 1, EXCEPT AS SHOWN)

**TABLE 4**

No. OF POS.	"G"	"H"
-10	21.0 [0.83]	17.00 [0.669]
-20	29.0 [1.14]	25.00 [0.984]
-25	33.0 [1.30]	29.00 [1.142]
-30	37.0 [1.46]	33.00 [1.299]

**PROPRIETARY NOTE**  
THIS DOCUMENT CONTAINS INFORMATION CONFIDENTIAL AND PROPRIETARY TO SAMTEC, INC. AND SHALL NOT BE REPRODUCED OR TRANSFERRED TO OTHER DOCUMENTS OR DISCLOSED TO OTHERS OR USED FOR ANY PURPOSE OTHER THAN THAT WHICH IT WAS OBTAINED WITHOUT THE EXPRESSED WRITTEN CONSENT OF SAMTEC, INC.

DO NOT SCALE DRAWING

SHEET SCALE: 2:1



520 PARK EAST BLVD, NEW ALBANY, IN 47150  
PHONE: 812-944-6733 FAX: 812-948-5047  
e-Mail: info@SAMTEC.com code: 55322

DESCRIPTION:  
.8MM EDGE RATE-EM SOCKET ASSEMBLY

DWG. NO.  
ERF8-XXX-01-X-D-EMX-XXXX-TR

BY: KNOWLDEN09/26/2006 SHEET 3 OF 3