

Fig. 1

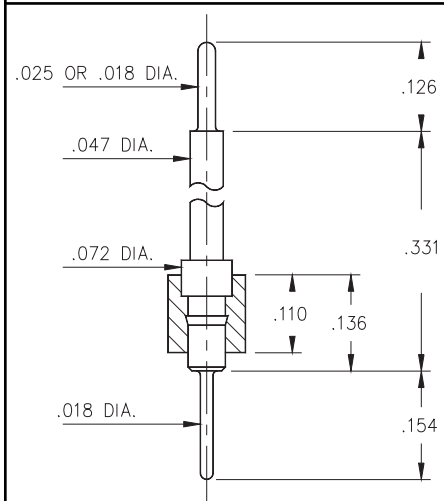


Fig. 2

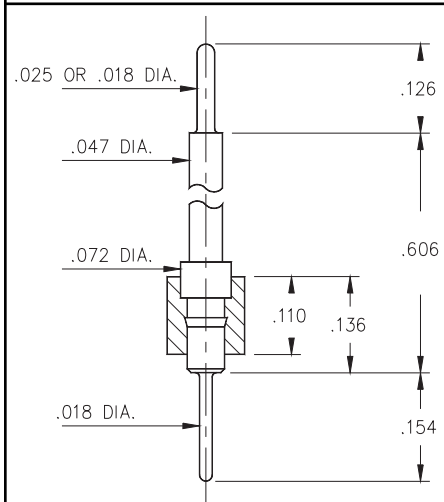


Fig. 3

- Series 351 Interconnect Header Strips come in three lengths with .018" dia. pluggable solder tails at one end and .025" dia. pins at the other. (M-M# 5503, 5504 or 5505 see page 172 for details).
- .018" pluggable solder tails are available at both ends, see series:
 351...009
 351...010
 351...011
 (using M-M# 5509, 5510, 5511 pins respectively, see page 170 & 172 for details).



Ordering Information

Fig. 1	Series 351...003 .018 / .025 Solder Tails						
	351-XX-1__-00-003 Specify # of pins → 01-64						
Fig. 2	Series 351...009 .018 / .018 Solder Tails						
	351-XX-1__-00-009 Specify # of pins → 01-64						
Fig. 3	Series 351...004 .018 / .025 Solder Tails						
	351-XX-1__-00-004 Specify # of pins → 01-64						
Fig. 3	Series 351...010 .018 / .018 Solder Tails						
	351-XX-1__-00-010 Specify # of pins → 01-64						
Fig. 3	Series 351...005 .018 / .025 Solder Tails						
	351-XX-1__-00-005 Specify # of pins → 01-64						
Fig. 3	Series 351...011 .018 / .018 Solder Tails						
	351-XX-1__-00-011 Specify # of pins → 01-64						
<div style="border: 2px solid black; border-radius: 50%; padding: 10px; display: inline-block;"> XX= Plating Code See Below </div>							
SPECIFY PLATING CODE XX=							
Pin Plating	<table border="1" style="width: 100%;"> <tr> <td style="width: 33%; text-align: center;">10</td> <td style="width: 33%; text-align: center;">90</td> <td style="width: 33%;"></td> </tr> <tr> <td style="text-align: center;">10μ" Au</td> <td style="text-align: center;">200μ" Sn/Pb</td> <td></td> </tr> </table>	10	90		10μ" Au	200μ" Sn/Pb	
10	90						
10μ" Au	200μ" Sn/Pb						