



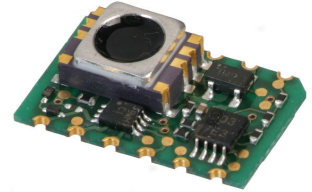
Barometric Pressure Sensor Module

Model No. HPM-013

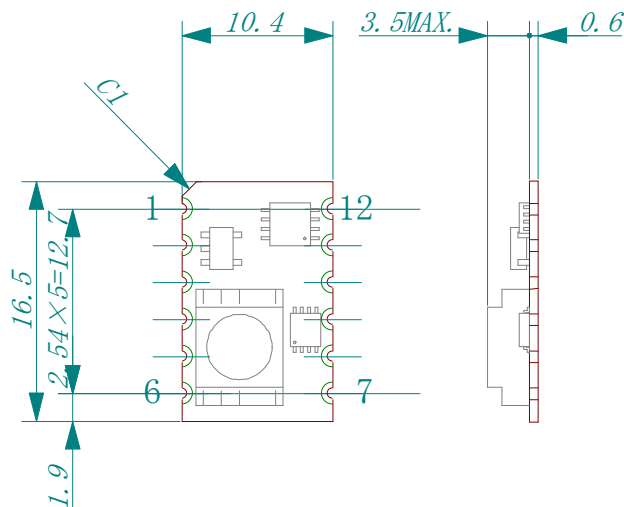
Power-saving design with low consumption current!

■ Features

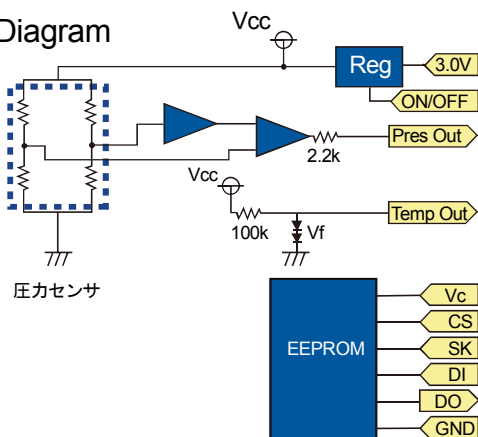
- Compact, low profile 16.5mm × 10.4mm × 3.5mm
- Low power, operating 3mA Max, Standby 1uA Max.
- High precision ±2hPa



■ Dimensions



■ Circuit Diagram



■ Specifications

Item	Rating			Unit	Remarks
	Min.	Typ.	Max.		
Pressure Range	850	-	1050	hPa	
Supply Voltage	2.9	3	3.2	V	
Current Consumption	-	1.2	3	mA	
Standby Current	-	-	1	μA	
Barometric Pressure Output	-	2.5	-	mV/hPa	
Temperature Output	-	-4.6	-	mV/°C	
Accuracy	-	±2	-	hPa	10 ~ 30°C After calculation with approximation