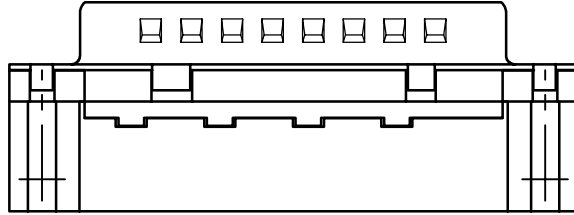
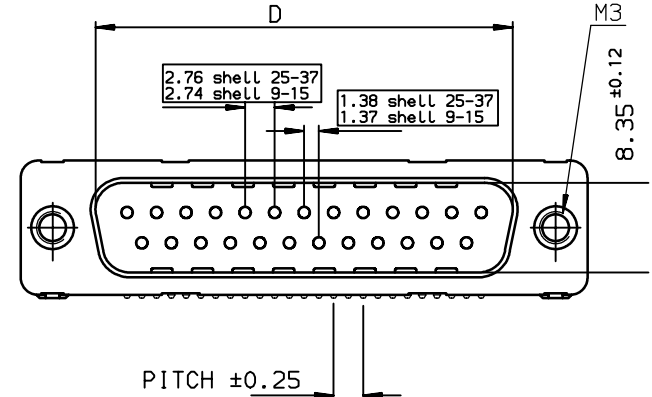
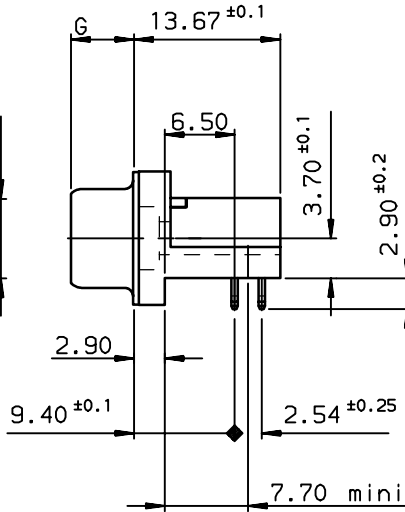
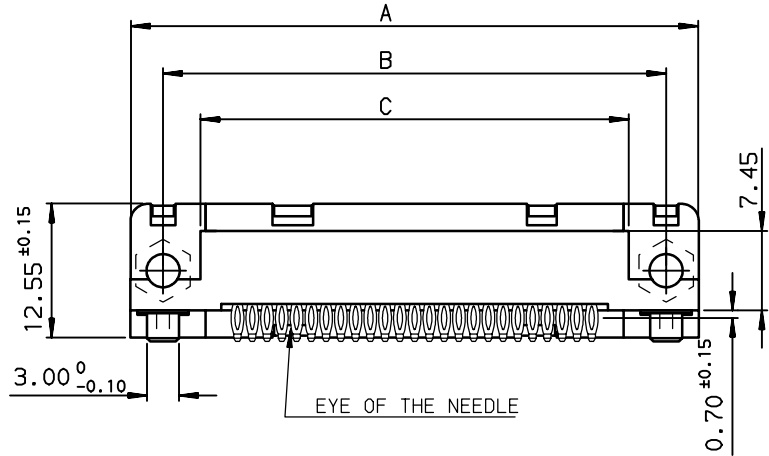
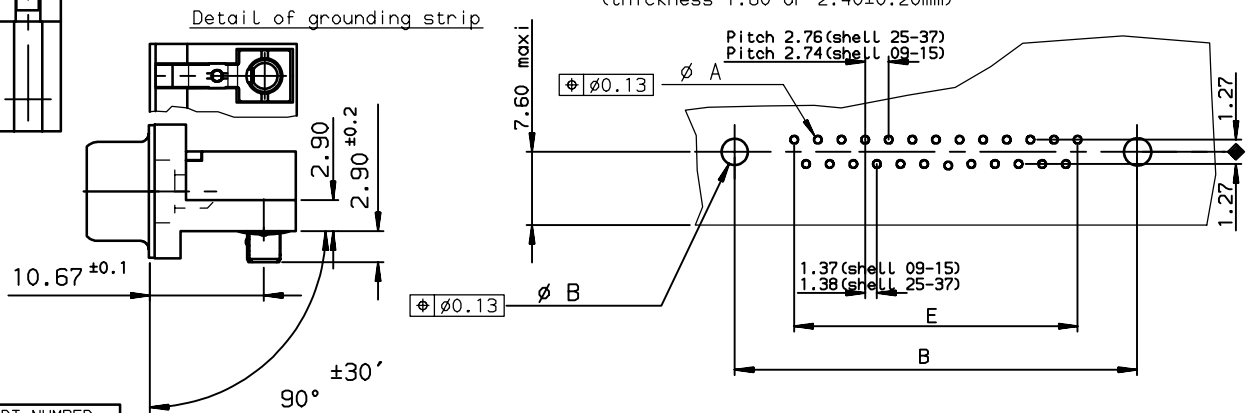


view shown without plastic pin



PC card drilling dimensions(after plating)  
(thickness 1.60 or 2.40±0.20mm)



TIN LEAD PART NUMBER

SHELL	A±0.38	B±0.12	C±±0.10	D +0.25	E±0.07	G	PART NUMBER	PART NUMBER
09	30.81	24.99	18.00	16.79	10.96	5.90 +0.15	D09P82C4GL00	D09P82C6GL00
15	39.14	33.32	26.32	25.12	19.18	5.90 +0.15	D15P82C4GL00	D15P82C6GL00
25	53.03	47.04	40.04	38.84	33.12	5.70 +0.25	D25P82C4GL00	D25P82C6GL00
37	69.32	63.50	56.50	55.30	49.68	5.70 +0.25	D37P82C4GL00	D37P82C6GL00
							Gold flash	0,76 µ gold

LEAD FREE PART NUMBER

SHELL	A±0.38	B±0.12	C±±0.10	D +0.25	E±0.07	G	PART NUMBER	PART NUMBER
09	30.81	24.99	18.00	16.79	10.96	5.90 +0.15	D09P82C4GL00LF	D09P82C6GL00LF
15	39.14	33.32	26.32	25.12	19.18	5.90 +0.15	D15P82C4GL00LF	D15P82C6GL00LF
25	53.03	47.04	40.04	38.84	33.12	5.70 +0.25	D25P82C4GL00LF	D25P82C6GL00LF
37	69.32	63.50	56.50	55.30	49.68	5.70 +0.25	D37P82C4GL00LF	D37P82C6GL00LF
							Gold flash	0,76 µ gold

rev	ecn no	dr	date
C	-	MAS	1999/07/23
D	LS05-004	MPE	2005/02/10
E	LS06-0095	LGO	2006/06/28
F	LS06-0140	LGO	2006/09/25
-	-	-	-
-	-	-	-
-	-	-	-

GENERAL CHARACTERISTICS AND ROHS INFORMATIONS:  
SEE DRAWING C01-8646-0001

European Views

www.fciconnect.com		surface ISO 1302	tolerance std ISO 406 ISO 1101	projection mm
TOLERANCES UNLESS OTHERWISE SPECIFIED				
Dr	PESSON	1995/08/07	0.X ±0.1	size A3
Eng	PESSON	1995/08/07	0.XX ±0.1	Scale 2
Chr	LEGARE	1995/08/07	0.XXX ±0.1	ECN LS06-0140
Appr	LEGARE	1995/08/07	Product family	D-SUB Spec ref -
FCJ		MALE CONNECTOR DELTA D EUROSTYLE		Rev. F
right angle press fit		C01-8646-0386		
catalog no		CUSTOMER		sheet 1 of 1

Copyright FCI. FCJ