



PRODUCT SPECIFICATION

SPEC. No: _____

Attn: _____

DATE: Dec.17.2012

| |
|---|
| CUSTOMER PRODUCT NAME: |
| TDK PRODUCT NAME: <p style="text-align: center;">WR-483250-15M2-G</p> |
| APPROVED BY: |
| CUSTOMER COMMENT: |
| REMARK: Please sign back specification after customer conformation until 2weeks. If customer can't sign back specification, customer should be approved TDK specification. |

TDK-EPC Corporation

Head Office Address:

1-13-1, Nihonbashi, Chuo-ku, Tokyo
103-0027 , Japan

SALES

| | |
|---------|-------|
| MANAGER | SALES |
| | |

ENGINEERING

| | | |
|----------|---------|--------|
| APPROVED | CHECKED | ISSUED |
| | | |

Sales Office _____

Sales Tel. _____

| | |
|---------|--|
| PRODUCT | |
|---------|--|

REVISED HISTORY

CUSTOMER PRODUCT NAME: _____

TDK PRODUCT NAME:

WR-483250-15M2-G

| NO. | REV. | REVISED CONTENT | REVISED REASON | DATE |
|-----|------|----------------------------|----------------|------------|
| 1 | 0 | To establish specification | | 2012.12.17 |
| | | | | |
| | | | | |
| | | | | |
| | | | | |
| | | | | |

PRODUCT SPECIFICATION

TDK PRODUCT NAME:

WR-483250-15M2-G

SPEC. NO.

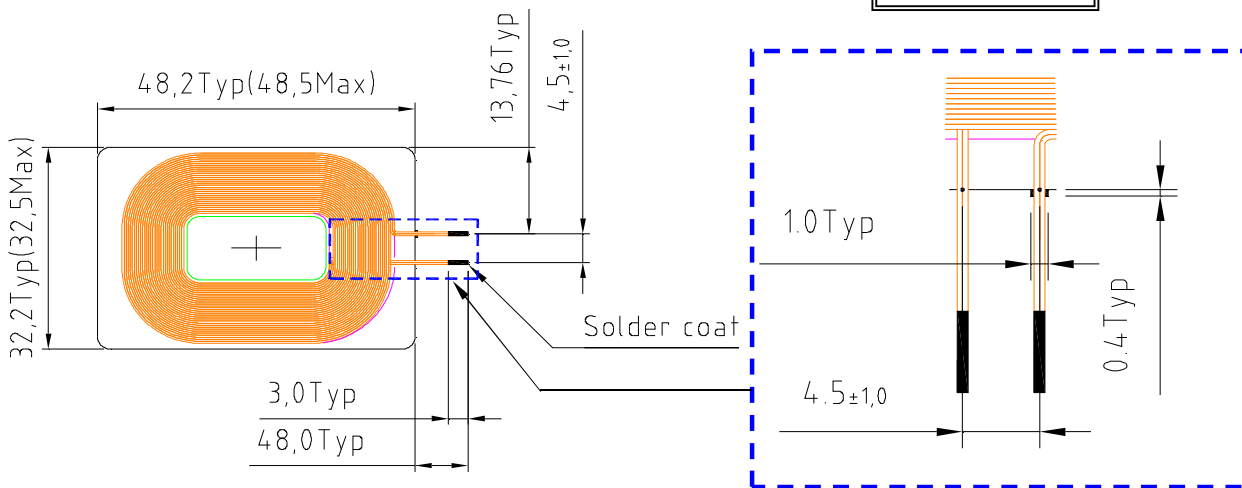
CUSTOMER PRODUCT NAME:

(1) Appearance & Dimensions (Unit: mm)

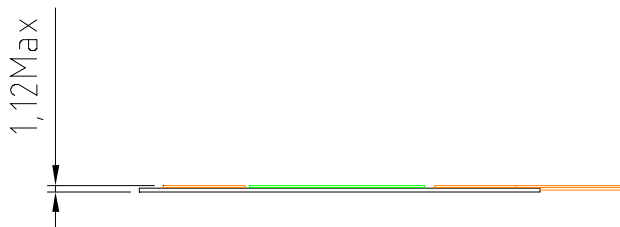
Weight: 6.30g (Typ.)

TOP VIEW

Lead wire pitch
/PET position
(Promised position)



SIDE VIEW



[Remarks]

1. Lead Wire Pitch is the end of wire position, not Output terminal.

2. Marking Content:

a. T: Manufacturing Centers

b. Lot No.: □□ ○○ △△

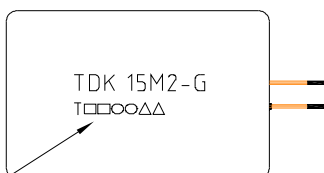
(1) (2) (3)

(1) Year: A.D. end number in double

(2) Month: Jan.(01) , Feb.(02)...Dec.(12)

(3) Day: 01,02,03,...31.

LOT NO.



PRODUCT SPECIFICATION

TDK PRODUCT NAME:

WR-483250-15M2-G

SPEC. NO.

CUSTOMER PRODUCT NAME:

(2) Air coil specification

Wire Diameter: $\phi 0.30 \times 2$ (Bifilar Winding Coil)

Coil Turns: 15Ts

(3) Electrical Characteristics

| No. | Parameter | Specification | Test Instrument |
|-----|------------------|--------------------------------|---|
| 1 | Inductance | 10.5 $\mu\text{H} \pm 5\%$ | HP 4284A DIGITAL LCR METER or EQUIVALENT (@100kHz 1.0 Vrms) |
| 2 | DC Resistance | 0.20 Ω Max (At 25°C) | CHEN HWA 502A OHM METER or EQUIVALENT |

(4) Temperature Characteristics

| No. | Parameter | Specification |
|-----|-----------------------|---------------|
| 1 | Operating Temperature | -30~70°C |
| 2 | Storage Temperature | -40~85°C |

(5) Application

1. Reflow and dip-flow soldering can not used for this product.
2. The product fit in with RoHS rule.
3. The product fit in with Halogen-Free.

PRODUCT SPECIFICATION

| | | |
|--|-----------|------------------------|
| TDK PRODUCT NAME: WR-483250-15M2-G | SPEC. NO. | CUSTOMER PRODUCT NAME: |
|--|-----------|------------------------|

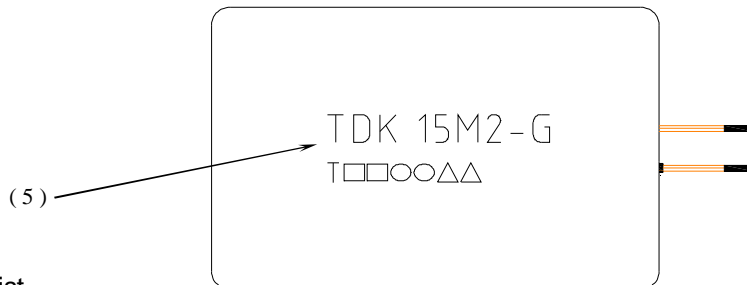
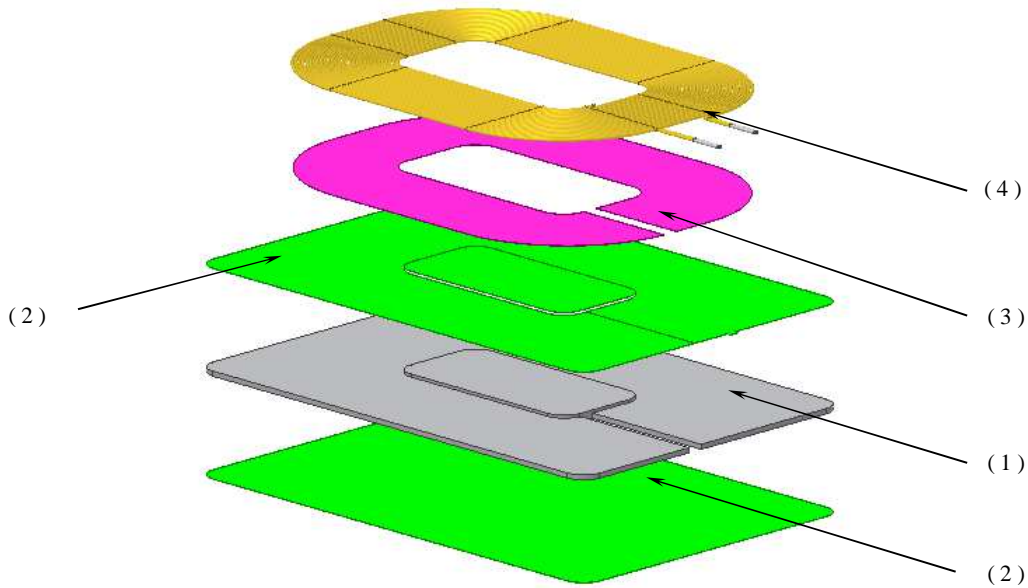
(6) Reliability Conditions

| No. | Parameter | Conditions |
|-----|-------------------------------------|---|
| 1 | Low Temperature (Storage) | (1) Temperature : $-40\pm 2^{\circ}\text{C}$ (2) Time : 240Hrs |
| 2 | High Temperature (Storage) | (1) Temperature : $+85\pm 2^{\circ}\text{C}$ (2) Time : 240Hrs |
| 3 | Thermal Shock (Storage) | (1) Temperature : $-40\pm 5^{\circ}\text{C}$ / 30min ~ $+85\pm 5^{\circ}\text{C}$ / 30min (2) Ambient Time : 5min (3) Times : 100cycles |
| 4 | Vibration | Unpacked: (1) frequency: 10~500Hz sweep octave wave(1 oct/ min) (2) Amplitude: 10G or 1.5mm P-P (3) Testing time : XYZ 2h/axis, total 6h |
| 5 | Shock Test | Fixed within the jig (1) Acceleration : $1000\text{m} / \text{s}^2$ (2) Pulse width : 6 msec (3) Direction : $\pm X$, $\pm Y$, $\pm Z$ (4) Frequency of shock : 3 times each (Total 18 times) Half-sine shock (1) 200G, 3ms(Gravity) (2) One shock per face (3) Total 6 shocks |
| 6 | Temperature / Humidity (Storage) | (1) Temperature : $+60\pm 2^{\circ}\text{C}$ (2) Humidity: 90% RH. (3) Time: 240Hrs |
| 7 | Drop Test | (1) Height : 160cm to the concrete floor (fixture weight : 100g(REF)) (2) Direction : 6 directions (3) Times : 3 times / direction |
| 8 | Package Drop | (1) Drop the sample package in a carton box. (2) Height : 100 cm (3) Direction : 1corner, 3 edges, 6 faces (4) Drop time : 16 times |

PRODUCT SPECIFICATION

| | | |
|--|-----------|------------------------|
| TDK PRODUCT NAME: WR-483250-15M2-G | SPEC. NO. | CUSTOMER PRODUCT NAME: |
|--|-----------|------------------------|

(7) Construction



(8) Material List

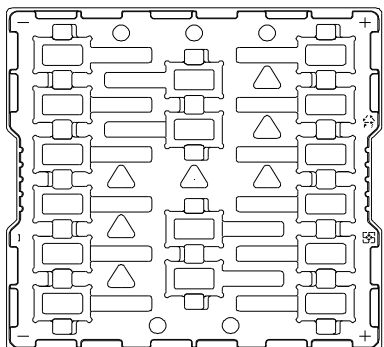
| No. | Material Name |
|-----|---------------|
| 1 | Iron Sheet |
| 2 | PET Tape |
| 3 | Adhesive Tape |
| 4 | Air Coil |
| 5 | Ink |

PRODUCT SPECIFICATION

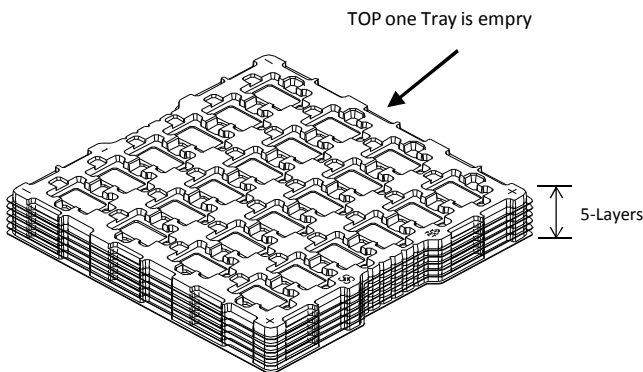
| | | |
|--|-----------|------------------------|
| TDK PRODUCT NAME: WR-483250-15M2-G | SPEC. NO. | CUSTOMER PRODUCT NAME: |
|--|-----------|------------------------|

(9) Packing

- To stack the the Trays onto 5 Layers. :
 - PS tray dimension: 326*329*9.5mm (REF.)
 - 16 Pcs / per PS tray



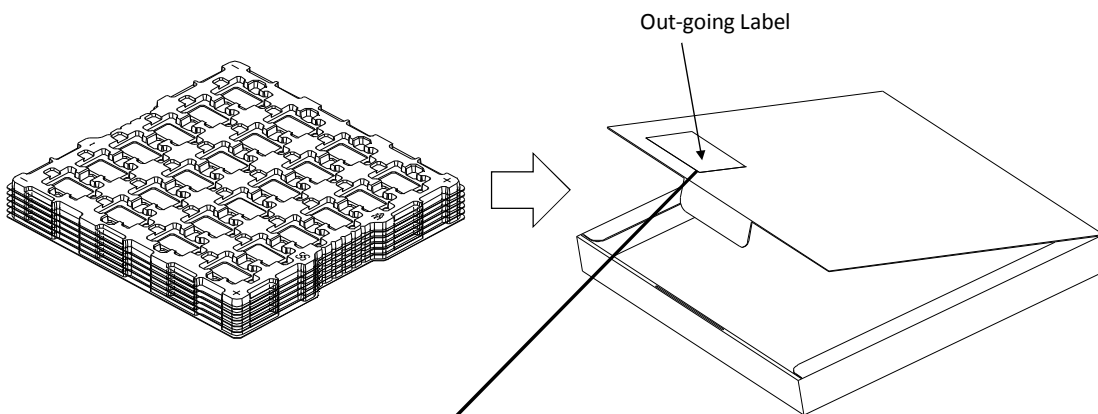
Total : 6x2+4=16pcs



Total : 16x4=64pcs

- To put 5 Trays of products into the small Carton and affixing the out-going label on the outside .

- Small carton dimension: 331*337*33mm (REF.)
- 5 PS Trays / per small carton (One PS tray of the top side is empty in the small carton)



| | | |
|---|-----------------------------------|-------------------------------|
| CUST PROD ID(P): WR-383250-17M2-XX | | Customer |
| | | ROHS |
| QTY(Q): 120 | (6P):TXDF10108TWN050009010 | |
| | | |
| TDK ITEM(1P): R-383250-17M2-XX | VDR(V):TDK | |
| | | |
| LOT NO(1T): WL11K06001+M0001 | DATE CODE(T): 1143 | 0001 |
| | | 001/014 |
| 2011/10/09 | MADE IN TAIWAN | 12296A1181 |
| | | TDK (S) |
| (ITEM:WR-383250-17M2-XX) | (1M)TTXDF10108 | TDK TAIWAN CORPORATION |

Out-going Label

PRODUCT SPECIFICATION

TDK PRODUCT NAME:

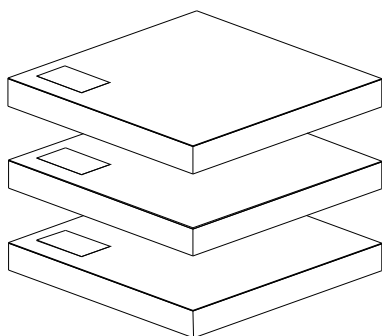
WR-483250-15M2-G

SPEC. NO.

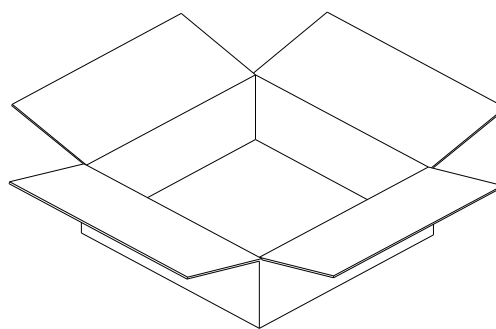
CUSTOMER PRODUCT NAME:

3. To put 3 small carton into the Carton .

- Outer carton dimension: 347*340*124mm (REF.)
- 3 small cartons / per outer carton
- Total quantity : 192 Pcs



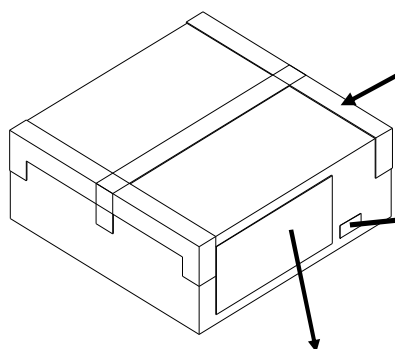
3 small cartons



Outer carton

4. Packing.

- To pack the carton by scotch tape and affix out-going label (outside) on it outside.
- The Inspection data in the box , there would be a signet mark on it outside.



scotch tape

INSPECTION DATA
ENCLOSED
檢驗紀錄表在內

signet mark of Inspection data

| | | | |
|--|-----------|------------------------------------|-------------------|
| (3S) TTW+WL11K0600200101400000360 | | CUSTOMER: Customer | |
| | | CUST. PART NO(P): 12A34567-89A | |
| (6S) C/NO:1 | BOX COUNT | | |
| | 001/009 | TDK ITEM CODE(6P): TXDF10105TWN | |
| SHIPPING MARK | | P/O NO.(K): TSHV-S001016344 | |
| ROHS | | | |
| <p>SAMPLE</p> <p>Customer</p> <p>SHANGHAI</p> <p>MADE IN TAIWAN</p> <p>WLXXXXXXXXX 12345A6789</p> | | LOT NO.(IT): WL12345678 | DATE: Oct.07.2011 |
| | | QTY(Q): 288 | |
| | | TDK ITEM (1P): WR-483250-15M2-S-XX | |
| | | (WR-483250-15M2-XX) | |
| SUB P/O NO.(6K): 4500059424 | | | |
| TDK SPEC. | | | |
| C/NO:1 | WAREHOUSE | (CT) | |
| | NW 3.6 | GW 4.0 | 9 |
| TDK TAIWAN CORPORATION | | YANGMEI, TAIWAN | |

out-going label (outside)