

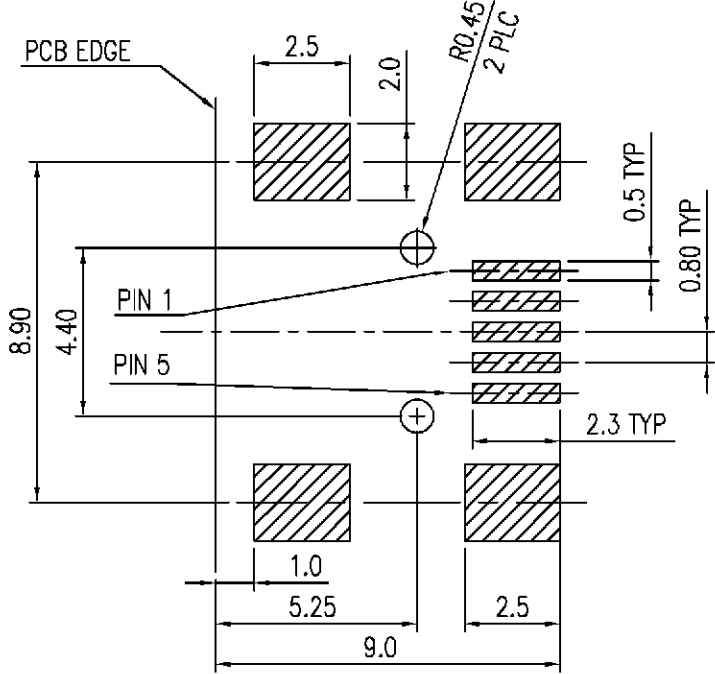
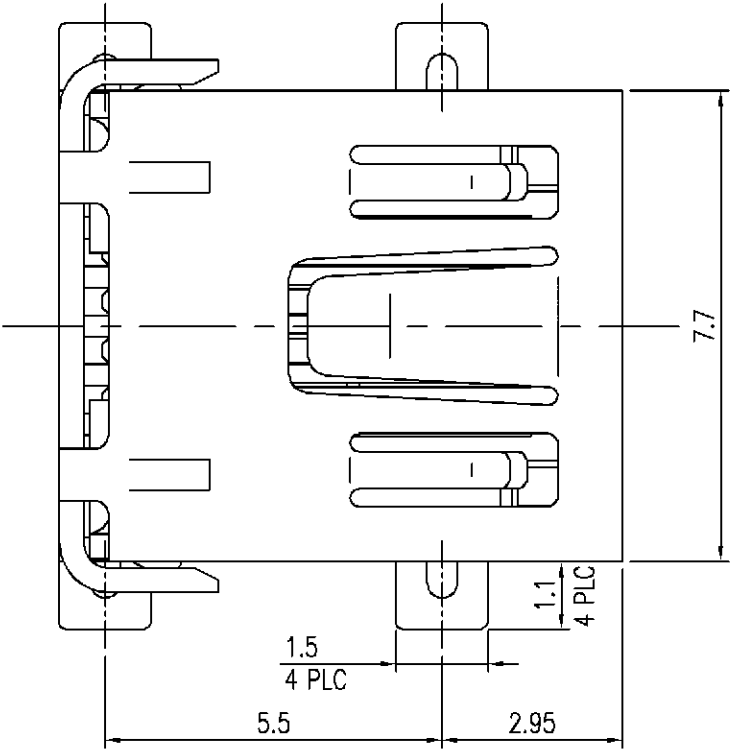
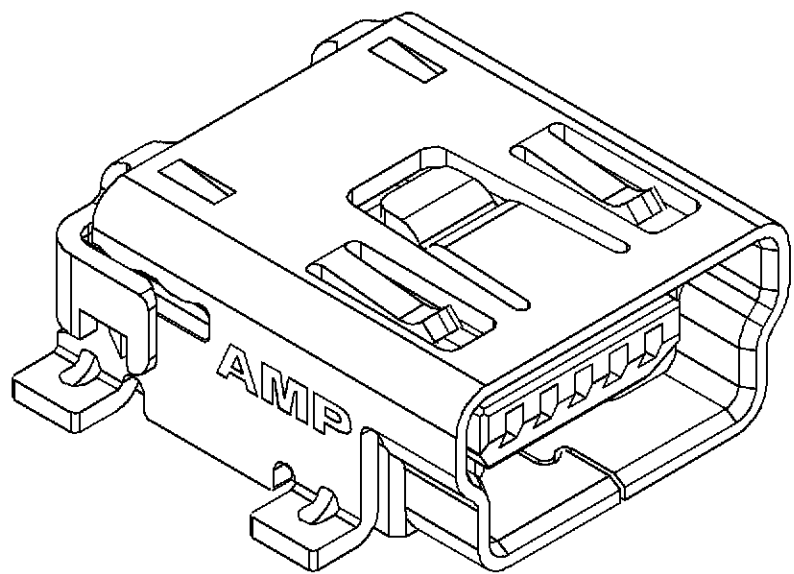
NUMBER
C-440247

3RD ANGLE PROJECTION

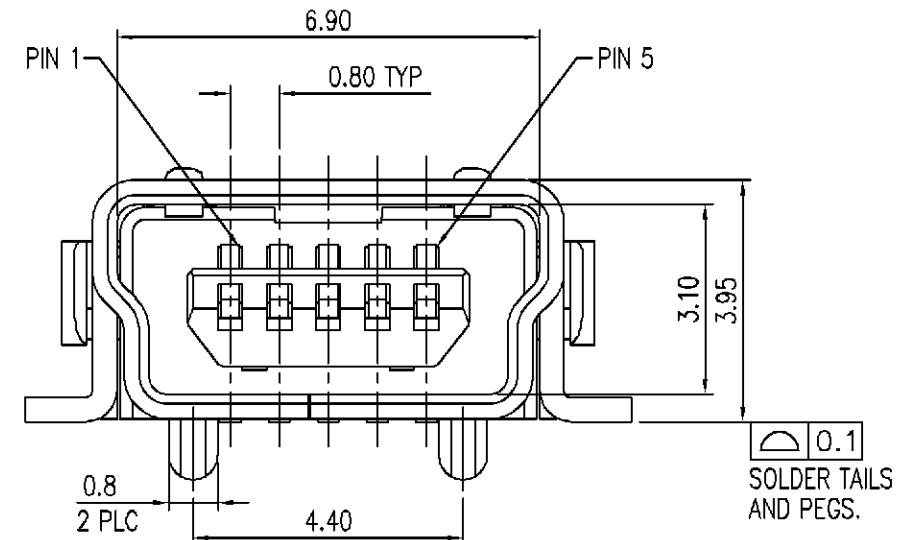
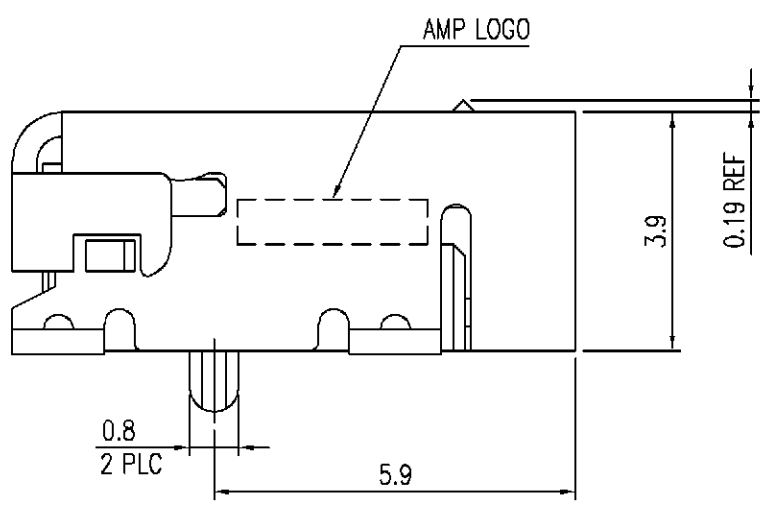
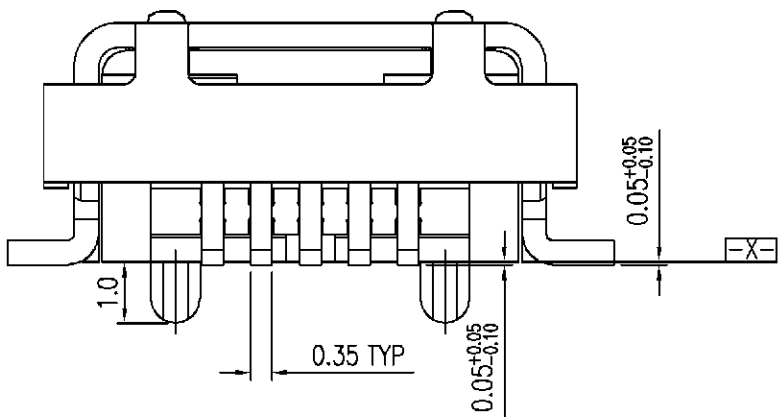
METRIC

THIS INFORMATION IS CONFIDENTIAL AND IS DISCLOSED TO YOU ON CONDITION THAT NO FURTHER DISCLOSURE IS MADE BY YOU TO OTHER THAN AMP PERSONNEL WITHOUT WRITTEN AUTHORIZATION FROM AMP (TAIWAN) LTD. DIMENSION IN MILLIMETERS. DO NOT SCALE PRINT.

PRINT
DW



RECOMMENDED PCB LAYOUT (MOUNTING SIDE)
THICKNESS 1.57mm



- NOTE:
- MATERIAL:
HOUSING: HIGH TEMPERATURE THERMOPLASTIC UL 94V-0, COLOR: BLACK.
CONTACT: PHOSPHOR BRONZE.
SHELL: PHOSPHOR BRONZE.
 - FINISH:
CONTACT: 30u" MIN. GOLD PLATED IN CONTACT AREA, 100u" MIN. TIN-LEAD TIN ON SOLDER TAILS, 50u" MIN. NICKEL UNDERPLATED ALL OVER.
SHELL: 100u" MIN. HALF-BRIGHT TIN OVER 100u" MIN. Cu UNDERPLATED.

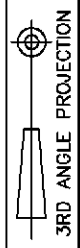
W/	W/O	TAPE REEL	W/	440247-4
W/O	W/	TAPE REEL	W/	440247-3
W/O	W/O	TAPE REEL	W/	440247-2
W/O	N/A	TRAY	W/	440247-1
MYLAR	LONG CARRIER & COVER TAPE	PACKAGE	POST	PART NUMBER

DIMENSION :		DWN	O. HU	 TYCO HOLDINGS (BERMUDA) VII LTD. TAIWAN BRANCH
0 PLC ±0.38		27-JUN-2003		
1 PLC ±0.25		CHK	A. WU	NAME
2 PLC ±0.13		27-JUN-2003		
3 PLC ±0.05		MATERIAL	APVD	MINI USB RIGHT ANGLE, SMT, B TYPE
ANGLES ±3'		J. CHENG 27-JUN-2003		
SEE NOTE		PRODUCT SPEC 108-57062		LOC SIZE DRAWING NO DW A ₃ C-440247 REV D
SEE NOTE		APPLICATION SPEC		
D ADD P/N FOR PACKAGE FZ00-0149-03 OH AW 04JUL 2003		WEIGHT		SCALE
LTR REVISION RECORD ECN DWN CHK DATE				SHEET 1 OF 4

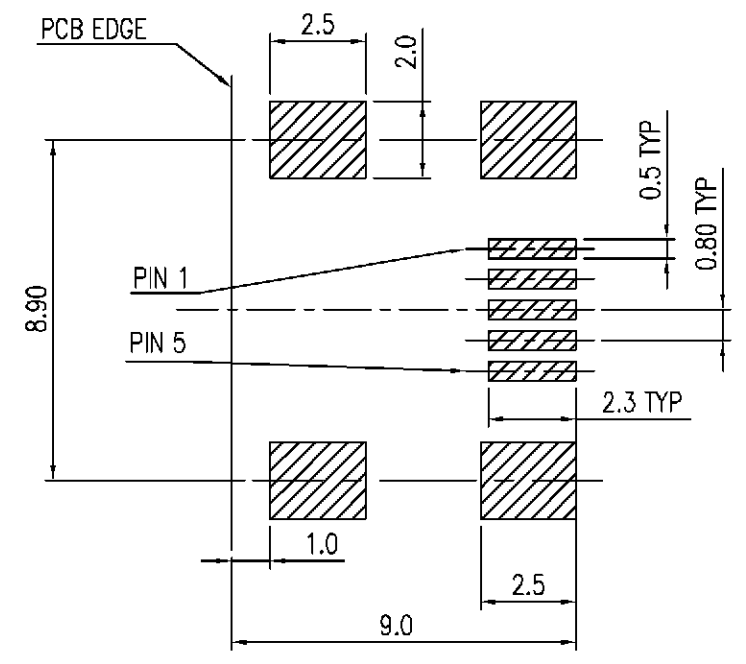
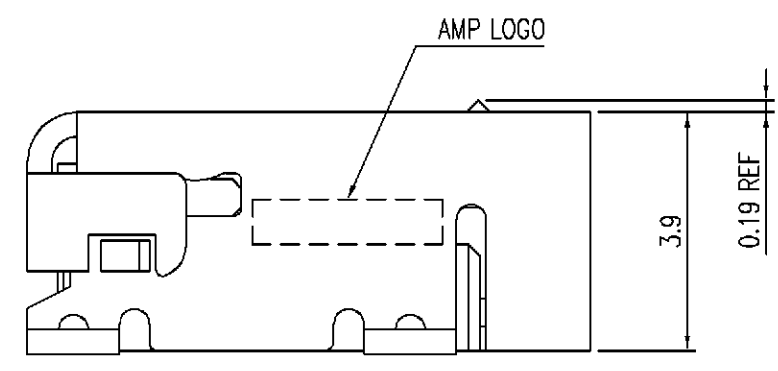
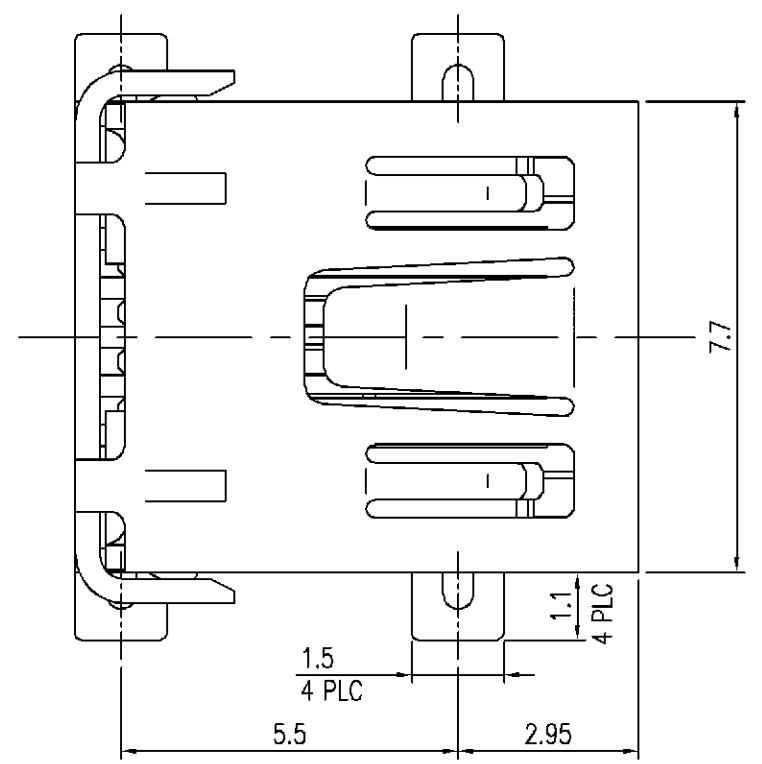
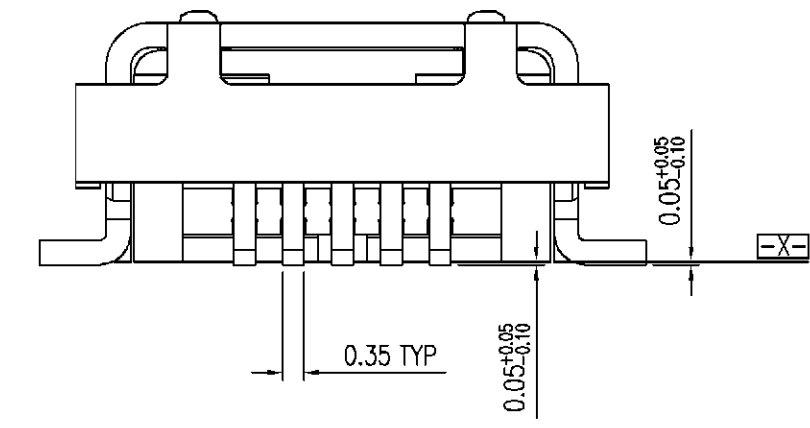
THIS INFORMATION IS CONFIDENTIAL AND IS DISCLOSED TO YOU ON CONDITION THAT NO FURTHER DISCLOSURE IS MADE BY YOU TO OTHER THAN AMP PERSONNEL WITHOUT WRITTEN AUTHORIZATION FROM AMP (TAIWAN) LTD. DIMENSION IN MILLIMETERS. DO NOT SCALE PRINT.

PRINT DIST
DW

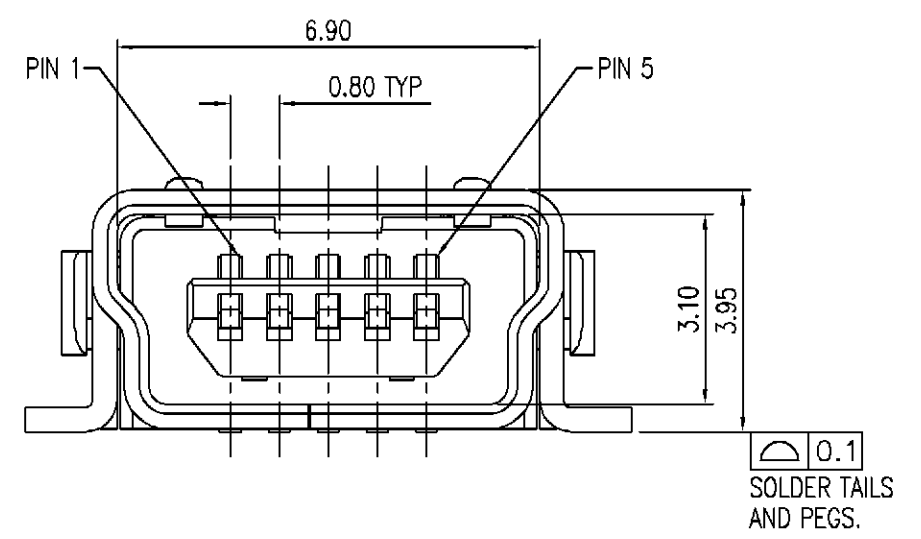
METRIC



NUMBER
C-440247



RECOMMENDED PCB LAYOUT (MOUNTING SIDE)
THICKNESS 1.57mm

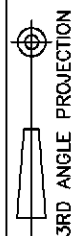


W/O	W/	TAPE REEL	W/O	1-440247-3
	W/O	TAPE REEL	W/O	1-440247-2
	N/A	TRAY	W/O	1-440247-1
MYLAR	LONG CARRIER & COVER TAPE	PACKAGE	POST	PART NUMBER

DIMENSION :	DWN	O. HU		TYCO HOLDINGS (BERMUDA) VII LTD. TAIWAN BRANCH
	0 PLC ±0.38	27-JUN-2003		
1 PLC ±0.25	CHK	A. WU	NAME	MINI USB RIGHT ANGLE, SMT, B TYPE
2 PLC ±0.13		27-JUN-2003		
3 PLC ±0.05	MATERIAL	APVD	J. CHENG	
ANGLES ±3'	SEE SHEET 1.		27-JUN-2003	
	FINISH	APPLICATION SPEC		
	SEE SHEET 1.	WEIGHT		
		LOC	SIZE	DRAWING NO
		DW	A ₃	C-440247
		SCALE		REV D
				SHEET
				2 OF 4

LTR	REVISION RECORD	ECN	DWN	CHK	DATE
	SEE SHEET 1.				

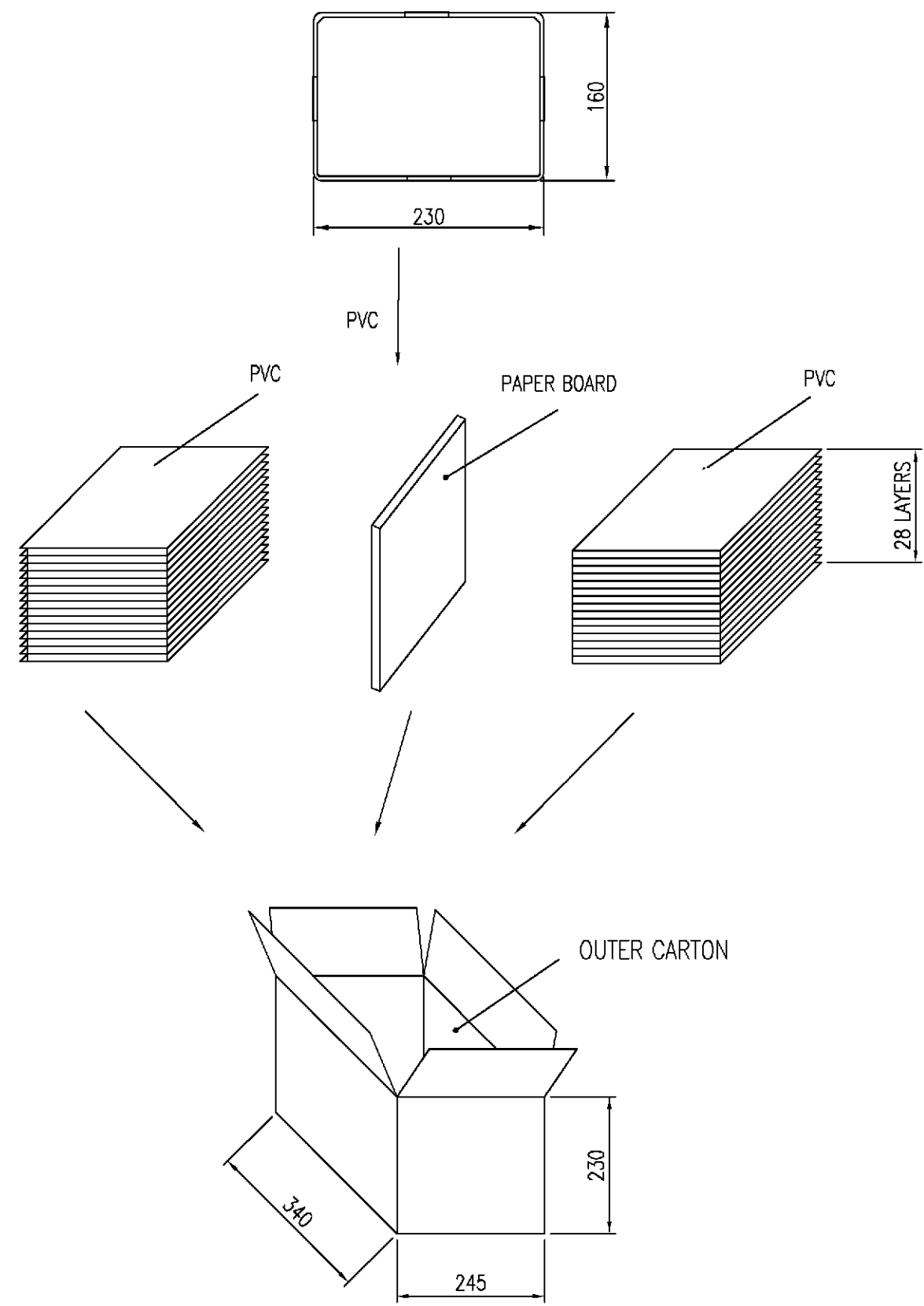
NUMBER
C-440247



METRIC

THIS INFORMATION IS CONFIDENTIAL AND IS DISCLOSED TO YOU ON CONDITION THAT NO FURTHER DISCLOSURE IS MADE BY YOU TO OTHER THAN AMP PERSONNEL WITHOUT WRITTEN AUTHORIZATION FROM AMP (TAIWAN) LTD. DIMENSION IN MILLIMETERS. DO NOT SCALE PRINT.

PRINT
DW



9.2	6.7	8400 (56 TRAY)	150	1-440247-1
				440247-1
G.W(KGS)	N.W(KGS)	PACKAGING QTY' / CARTON	PCS/TRAY	PART NUMBER

DIMENSION :		DWN	O. HU	TYCO HOLDINGS (BERMUDA) VII LTD. TAIWAN BRANCH	
0 PLC ±			27-JUN-2003		
1 PLC ±		CHK	A. WU	NAME	
2 PLC ±			27-JUN-2003		
3 PLC ±				MINI USB RIGHT ANGLE, SMT, B TYPE	
ANGLES ±					
MATERIAL		APVD	J. CHENG	LOC SIZE DRAWING NO REV DW A ₃ C-440247 D	
-		PRODUCT SPEC	27-JUN-2003		
FINISH		APPLICATION SPEC		SCALE SHEET -- 3 OF 4	
-		WEIGHT			

	SEE SHEET 1.			
LTR	REVISION RECORD	ECN	DWN CHK	DATE

NUMBER
C-440247

METRIC
3RD ANGLE PROJECTION

METRIC

THIS INFORMATION IS CONFIDENTIAL AND IS DISCLOSED TO YOU ON CONDITION THAT NO FURTHER DISCLOSURE IS MADE BY YOU TO OTHER THAN AMP PERSONNEL WITHOUT WRITTEN AUTHORIZATION FROM AMP (TAIWAN) LTD. DIMENSION IN MILLIMETERS. DO NOT SCALE PRINT.

PRINT
DW

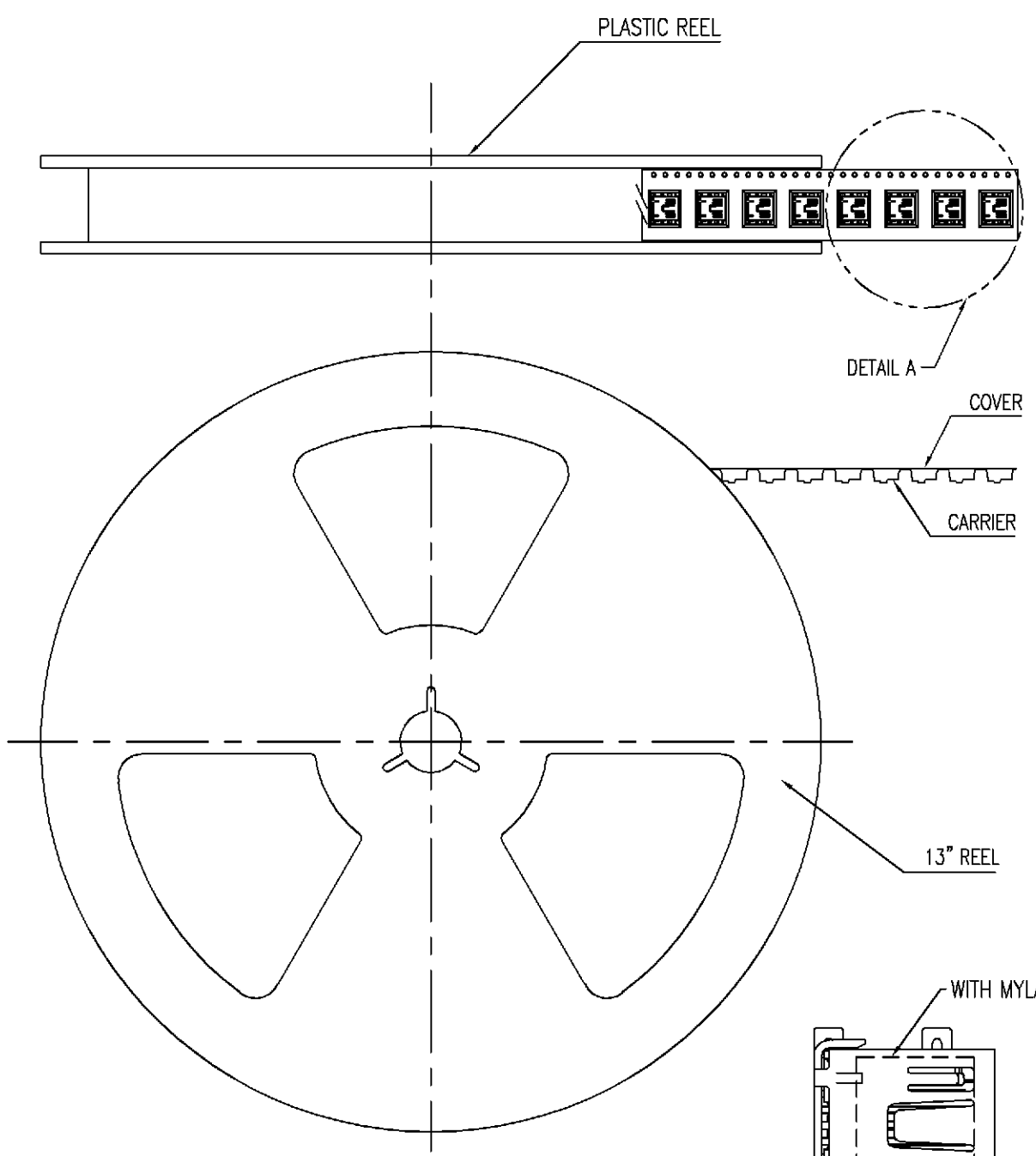
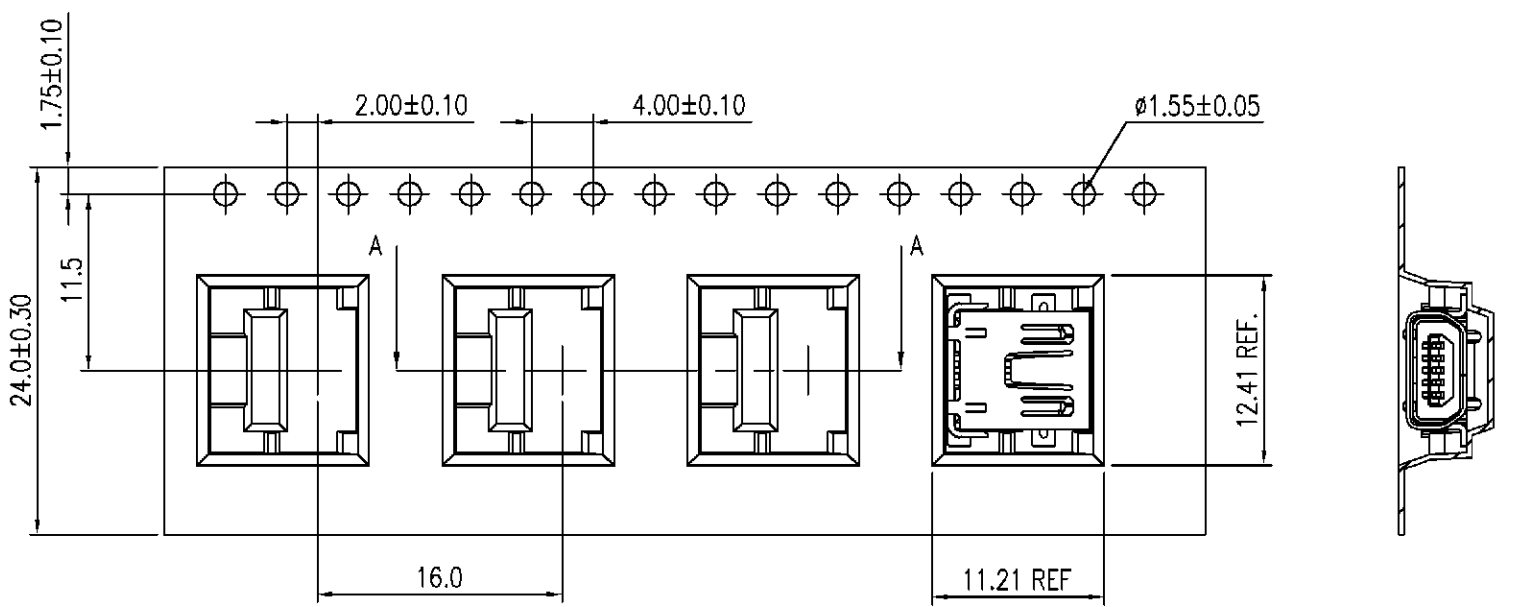
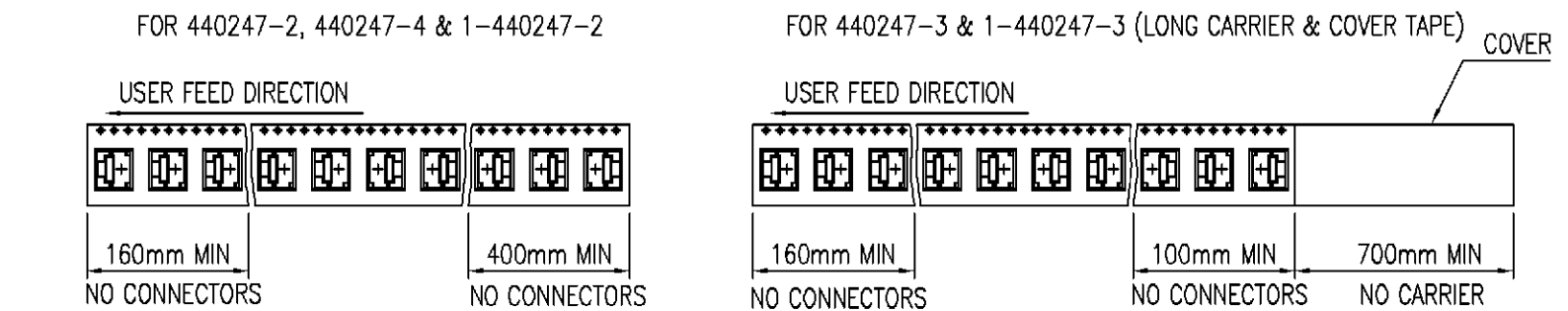
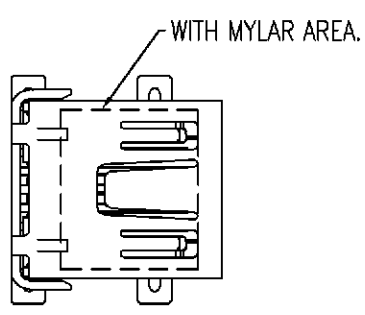


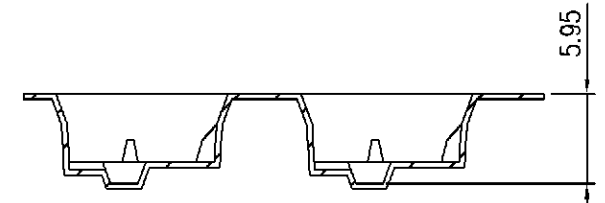
FIGURE E



DETAIL A (SCALE 2 : 1)

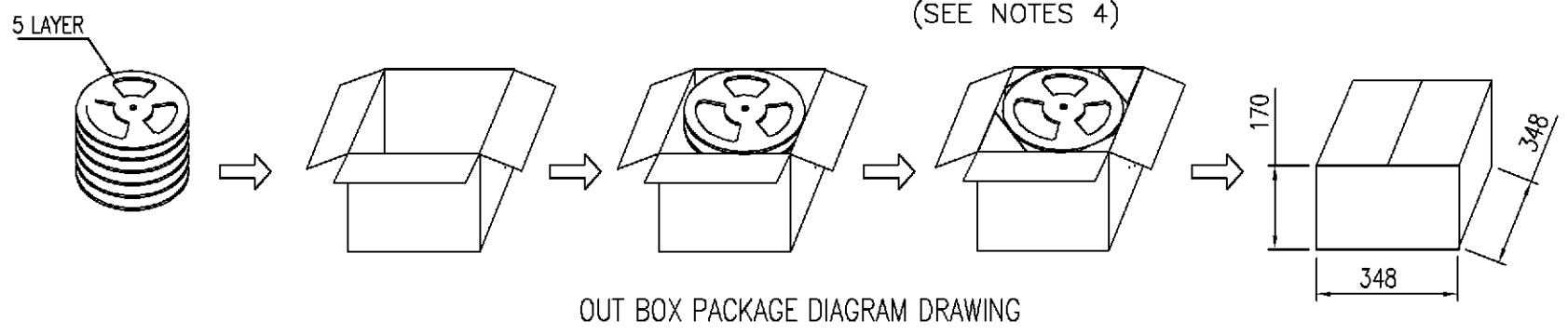


VIEW A
(SEE NOTES 4)



SECTION A-A

- NOTES:
1. APPLICABLE DOCUMENT : EIA-481-2
 2. PACKAGE: 700 PCS/REEL , 5 REEL/BOX
W.G. : 6.5Kg , N.G. : 5.5Kg
 3. QUANTITY: 3500 PCS.
 4. VIEW SHOW THE MYLAR AREA FOR P/N 440247-4



OUT BOX PACKAGE DIAGRAM DRAWING

W/O	W/	1-440247-3
W/O	W/O	1-440247-2
W/	W/O	440247-4
W/O	W/	440247-3
W/O	W/O	440247-2
MYLAR	LONG CARRIER & COVER TAPE	PART NUMBER

DIMENSION : 0 PLC ± 1 PLC ± 2 PLC ± 3 PLC ± ANGLES ±	DWN	O. HU 27-JUN-2003	 TYCO HOLDINGS (BERMUDA) VII LTD. TAIWAN BRANCH			
	CHK	A. WU 27-JUN-2003				
MATERIAL	APVD	J. CHENG 27-JUN-2003	MINI USB RIGHT ANGLE, SMT, B TYPE			
	PRODUCT SPEC	-				
FINISH	APPLICATION SPEC	-	LOC	SIZE	DRAWING NO	REV
	WEIGHT	-	DW	A ₃	C-440247	D
			SCALE	SHEET		
					4 OF 4	

SEE SHEET 1.				
LTR	REVISION RECORD	ECN	DWN CHK	DATE