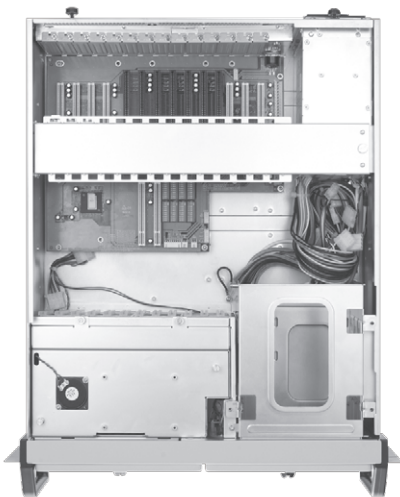


# AX6156LE

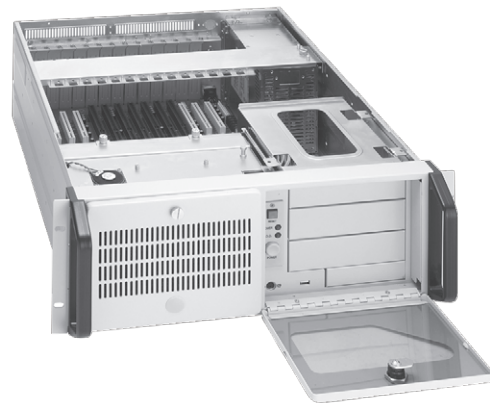
4U 14-slot Rackmount Chassis

## Features

- Three 5.25" and one 3.5" HDD drive bays
- One 12 cm ball-bearing fan (optional two 12 cm fans)
- Supports 14-slot backplane or ATX MB
- Hot-swap redundant power supply supported



▲ Top view



## Specifications

Standard Color	Beige
Construction	Heavy-duty steel
Drive Capacity	Exposed 3 x 5.25" HDD drive bay and 1 x 3.5" HDD drive bay
Cooling	1 x 12 cm ball-bearing fan (88 CFM/each) with a removable filter (optional two fans)Front Panel Indicators 1 x power on/off; 1 x HDD
Front Panel Controls	1 x power on/off; 1 x system reset
Front Panel Connectors	1 x USB, 1x PS/2 5-pin keyboard
Pre-punched Panel	2 x 9-pin; 1 x DIN 5-pin keyboard
System Board	SBCs, ATX MB or IMB series

Expansion Interface	14-slot backplane
Speaker	1 x 0.3W speaker
Operating Temperature Range	0°C ~ 40°C (32°F ~ 104°F)
Dimensions	484.7 mm (19") (W) x 537.6 mm (21.2") (D) x 176.7 mm (7") (H)
Weight (net/gross)	18 kg (39.68 lb)/19.5 kg (43 lb)

## Power Supply Specifications

Items	Watt	Input	Specifications		MTBF
			Output		
PS300-XP2	ATX 300W (PFC)	Slide Switch (115Vac/230Vac)	+5V @ 30/21.5A	100,000 hours	
			+12V @ 15A		
			-12V @ 0.8A		
			+3.3V @ 15/28A		
			+5VSB @ 2A		
-5V @ 0.3A					
RPS400-HRP	ATX 400W HRP (PFC)	AC 90-264V(Auto)	+5V @ 35A	100,000 hours	
			+12V @ 28A		
			-5V @ 0.5A		
			-12V @ 1.2A		
			+3.3V @ 25A		
+5VSB @ 2.0A					
PS400-XP2	ATX 400W (PFC)	AC 90-264V (Auto)	+5V @ 25A	100,000 hours	
			+12 @ 41A		
			-12V @ 0.8A		
			+3.3V @ 25A		
			+5VSB @ 3.5A		
PS501-HRP	ATX 500W HRP (PFC)	AC 90-264V (Auto)	+5V @ 25A	100,000 hours	
			+12 @ 41A		
			-12V @ 0.8A		
			+3.3V @ 25A		
			+5VSB @ 3.5A		

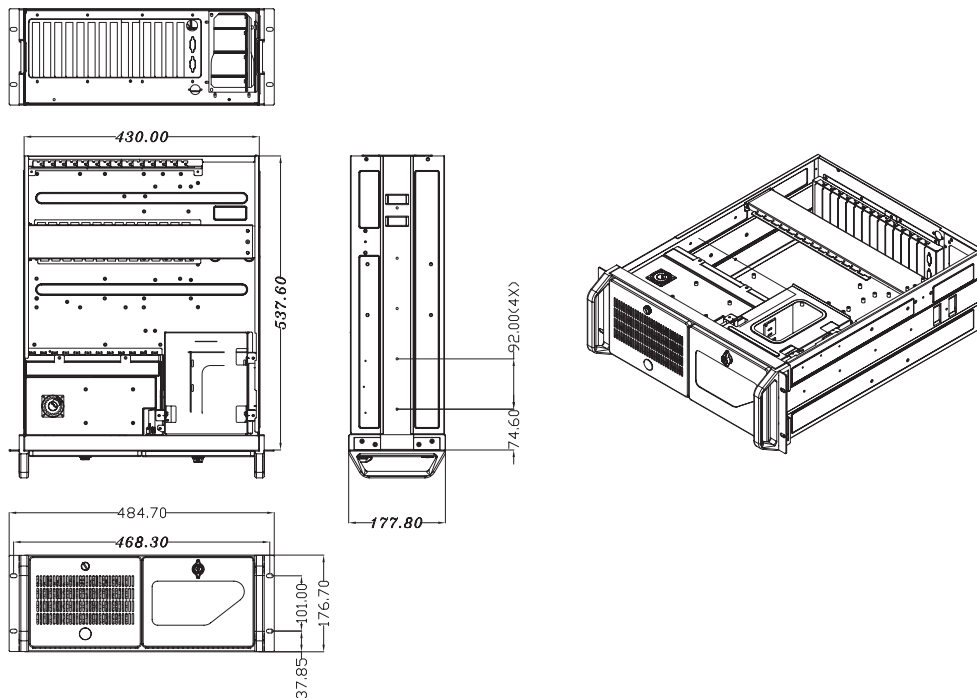
## Ordering Information

AX6156LET(W)B/X300	14-slot version, with ATX 300W power supply
AX6156LET(W)B/X400	14-slot version, with ATX 400W power supply
AX6156LET(W)B/X300R	14-slot version, with ATX 300W redundant power supply
AX6156LET(W)M/X300	MB version, with ATX 300W power supply
AX6156LET(W)M/X400	MB version, with ATX 400W power supply
AX6156LET(W)M/X300R	MB version, with ATX 300W redundant power supply

\*Specifications and certifications are based on options and may vary.

\*\* T-Black color; W-Beige color

## Dimensions



\* All specifications and photos are subject to change without notice.  
© 2013 Axiomtek Co., Ltd. All rights reserved.

## Backplane Options

### PICMG 1.0

Models	Slots per Segment (ISA/PCI/PCle/CPU)	Segment
ATX6022/13L	8/4/1	Single
ATX6022/14	9/4/1	Single
ATX6022/14G	1/12/1	Single
ATX6022/14GP7	6/7/1	Single

### PICMG 1.3

Models	Slots per Segment (ISA/PCI/PCle/CPU)	Segment
FAB100	4/4/5/1	Single
FAB101	0/13/0/1	Single
FAB112	0/10/2/1	Single
FAB113	0/4/8/1	Single
FAB114	0/8/4/1	Single
FAB118	0/7/6/1	Single

## Optional Items

ATX 500W power supply with PFC  
 ATX 300W redundant power supply with PFC  
 ATX 500W redundant power supply with PFC

Overview

Embedded Systems

Embedded Systems for Transportation

Embedded Field Controllers

Embedded MicroBoxes

Industrial Barebone Systems

Industrial Chassis

Backplanes

Power Supplies

Peripherals & Accessories

Appendix