



50 Ohm SMA Female to 75 Ohm F Female Adapter

TECHNICAL DATA SHEET

PE91002

50 Ohm SMA Female to 75 Ohm F Female Adapter

Configuration

Connector 1	SMA Female
Impedance 1	50 Ohms
Connector 2	F Female
Impedance 2	75 Ohms
Adapter Design	Standard
Body Style	Straight

Mechanical Specifications

Size

Length, in [mm]	1.035 [26.29]
Width/Dia., in [mm]	0.375 [9.53]

Connector 1

Type	SMA Female
Inner Conductor Material and Plating	Gold
Body Material and Plating	Brass, Nickel
Dielectric Type	PTFE

Connector 2

Type	F Female
Inner Conductor Material and Plating	Gold
Body Material and Plating	Brass, Nickel
Dielectric Type	PTFE

Compliance Certifications (visit www.Pasternack.com for current document)

Plotted and Other Data

Notes: Values at 25 °C, sea level

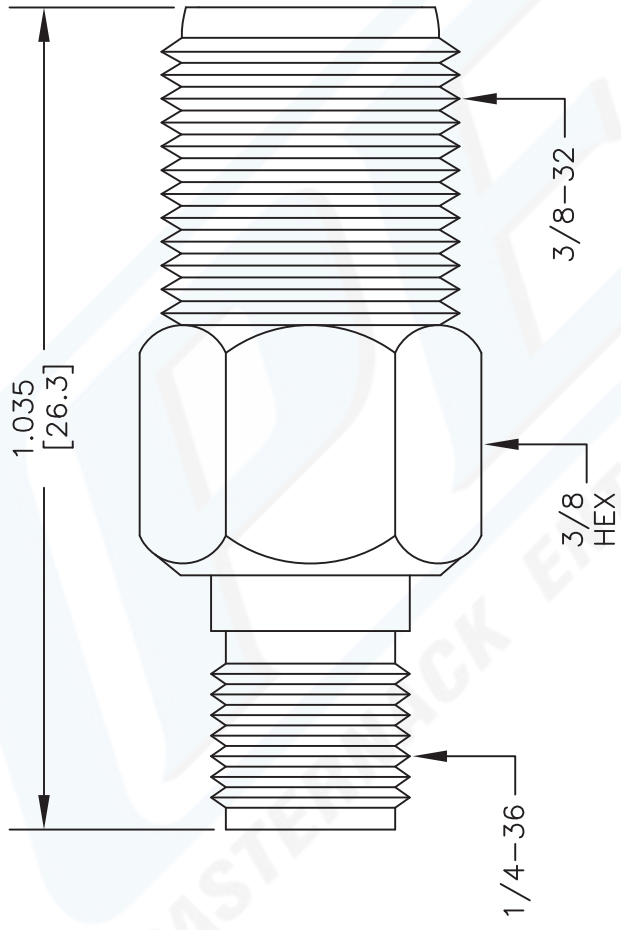
URL: <http://www.pasternack.com/sma-female-f-female-straight-adapter-pe91002-p.aspx>

50 Ohm SMA Female to 75 Ohm F Female Adapter from Pasternack Enterprises has same day shipment for domestic and International orders. Our RF, microwave and fiber optic products maintain a 99% availability and are part of the broadest selection in the industry.

The information contained in this document is accurate to the best of our knowledge and representative of the part described herein. It may be necessary to make modifications to the part and/or the documentation of the part, in order to implement improvements. Pasternack reserves the right to make such changes as required. Unless otherwise stated, all specifications are nominal.

PE91002 CAD Drawing

50 Ohm SMA Female to 75 Ohm F Female Adapter



NOTES:
1. UNLESS OTHERWISE SPECIFIED ALL DIMENSIONS ARE NOMINAL.
2. ALL SPECIFICATIONS ARE SUBJECT TO CHANGE WITHOUT NOTICE AT ANY TIME.
3. DIMENSIONS ARE IN INCHES [mm].

DWG TITLE
PE91002

FSCM NO. 53919

CAD FILE 040209

SCALE N/A

SIZE A

2233

PE PASTERNAK®
Pasternack Enterprises, Inc.
P.O. Box 16759 | Irvine | CA | 92623
Phone: (949) 261-1920 | Fax: (949) 261-7451
Website: www.pasternack.com | E-Mail: sales@pasternack.com