

Clip, 6.3x32 mm, 30 A, BeCu



500 VAC · 30 A (UL)

**Description**

- BeCu Clip for 30 A Application

**Standards**

- UL 512  
- CSA C22.2 no. 39

**Applications**

- Industrial electronic

**References**

[General Product Information](#)  
Fuseholder to SUT 6.3x32

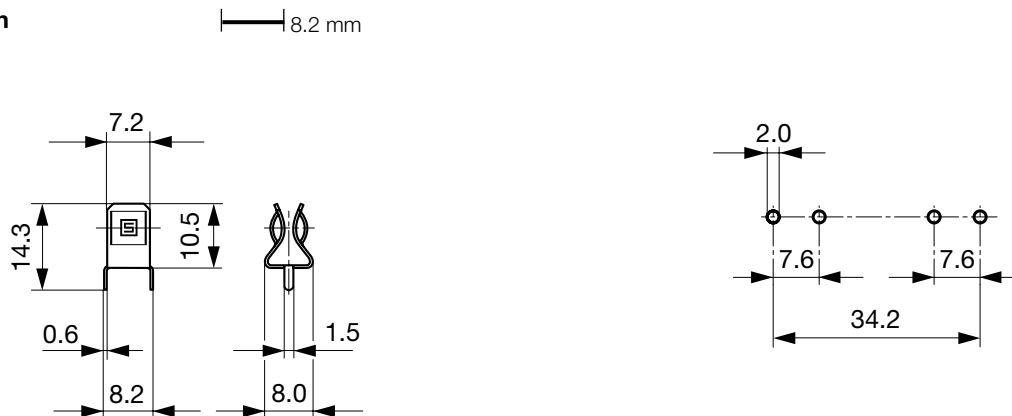
**Weblinks**

[Approvals](#), [RoHS](#), [CHINA-RoHS](#), [e-Store](#), [Distributor-Stock-Check](#),  
[Accessories](#), [Product Change Notification \(PCN\)](#)

**Technical Data**

Fuse-Link	6.3 x 32mm
Mounting	PCB
Terminal	Solder THT
Rated Voltage	500VAC
Rated Current	30A (UL)
Admissible Ambient Air Temp.	-55 °C to 125 °C
Material: Terminals	BeCu
Storage Conditions	0 °C to 60 °C, max. 70% r.h.

Soldering Methods	Wave
Solderability	235 °C / 2 sec acc. to IEC 60068-2-20, Test Ta, method 1
Resistance to Soldering Heat	260 °C / 10 sec acc. to IEC 60068-2-20, Test Tb, method 1A

**Abmessungen**

Drilling diagram

**Variants**

Clip	Material: Terminals	Order Number
•	Tin-plated Beryllium-Copper	8040.0001
•	Silver-plated Beryllium-Copper	8040.0003

**Packaging Unit**

Bulk (1000 pcs.)