



## SMA Male to 7/16 DIN Female Adapter

### TECHNICAL DATA SHEET

PE9411

#### SMA Male to 7/16 DIN Female Adapter

##### Configuration

|                |                 |
|----------------|-----------------|
| Connector 1    | SMA Male        |
| Impedance 1    | 50 Ohms         |
| Connector 2    | 7/16 DIN Female |
| Impedance 2    | 50 Ohms         |
| Adapter Design | Standard        |
| Body Style     | Straight        |

##### Mechanical Specifications

###### Temperature

|                        |             |
|------------------------|-------------|
| Operating Range, deg C | -65 to +165 |
|------------------------|-------------|

###### Size

|                     |              |
|---------------------|--------------|
| Length, in [mm]     | 1.56 [39.62] |
| Width/Dia., in [mm] | 1.14 [28.96] |

###### Connector 1

|                                       |               |
|---------------------------------------|---------------|
| Type                                  | SMA Male      |
| Inner Conductor Material and Plating  | Gold          |
| Inner Conductor Plating Specification | MIL-G-45204   |
| Coupling Nut Material and Plating     | Brass, Nickel |
| Hex Size, in.                         | 5/16          |
| Torque, in-lbs [Nm]                   | 5 [0.57]      |
| Body Material and Plating             | Brass, Nickel |
| Dielectric Type                       | Teflon        |

###### Connector 2

|                                       |                 |
|---------------------------------------|-----------------|
| Type                                  | 7/16 DIN Female |
| Inner Conductor Material and Plating  | Gold            |
| Inner Conductor Plating Specification | MIL-G-45204     |
| Body Material and Plating             | Brass, Nickel   |
| Dielectric Type                       | Teflon          |

##### Compliance Certifications (visit [www.Pasternack.com](http://www.Pasternack.com) for current document)

|                |     |
|----------------|-----|
| RoHS Compliant | Yes |
|----------------|-----|

##### Plotted and Other Data

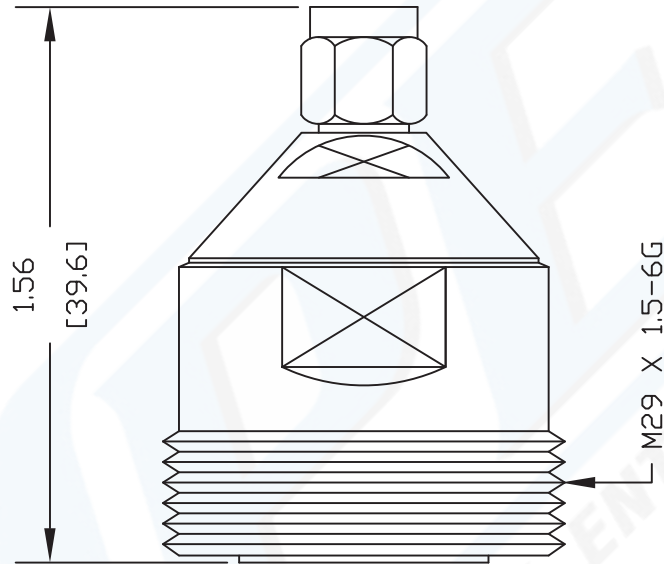
Notes: Values at 25 °C, sea level

URL: <http://www.pasternack.com/sma-male-7-16-din-female-straight-adapter-pe9411-p.aspx>

SMA Male to 7/16 DIN Female Adapter from Pasternack Enterprises has same day shipment for domestic and International orders. Our RF, microwave and fiber optic products maintain a 99% availability and are part of the broadest selection in the industry.

The information contained in this document is accurate to the best of our knowledge and representative of the part described herein. It may be necessary to make modifications to the part and/or the documentation of the part, in order to implement improvements. Pasternack reserves the right to make such changes as required. Unless otherwise stated, all specifications are nominal.

**PE9411 CAD Drawing**  
SMA Male to 7/16 DIN Female Adapter



NOTES:  
 1. UNLESS OTHERWISE SPECIFIED ALL DIMENSIONS ARE NOMINAL.  
 2. ALL SPECIFICATIONS ARE SUBJECT TO CHANGE WITHOUT NOTICE AT ANY TIME.  
 3. DIMENSIONS ARE IN INCHES [mm].

DWG TITLE  
**PE9411**

REV. -

FSCM NO. 53919

CAD FILE 092002

SCALE N/A

SIZE A

127

**PASTERNAK ENTERPRISES, INC.**  
 P O BOX 16759, IRVINE, CA 92623  
 PHONE (949) 261-1920 FAX (949) 261-7451  
 WEB ADDRESS: [www.pasternack.com](http://www.pasternack.com)  
 E-MAIL ADDRESS: [sales@pasternack.com](mailto:sales@pasternack.com)  
**COAXIAL & FIBER OPTICS**

