

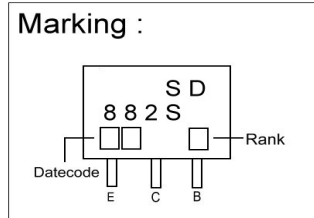
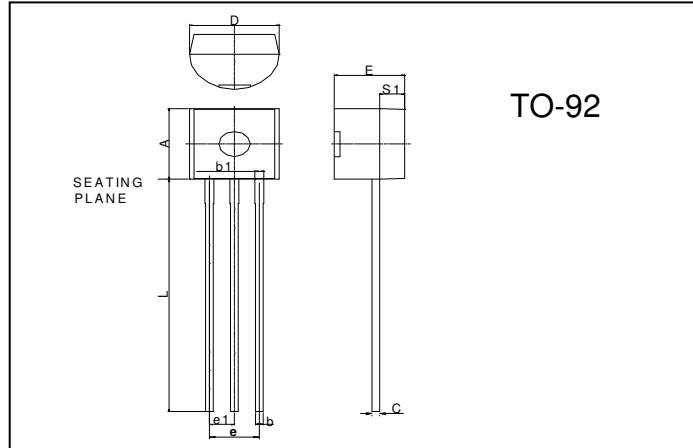
GSD882S

PNP EPITAXIAL PLANAR TRANSISTOR

Description

The GSD882S is suited for the output stage of 0.75W audio, voltage regulator, and relay driver.

Package Dimensions



REF.	Millimeter		REF.	Millimeter	
	Min.	Max.		Min.	Max.
A	4.45	4.7	D	4.44	4.7
S1	1.02	-	E	3.30	3.81
b	0.36	0.51	L	12.70	-
b1	0.36	0.76	e1	1.150	1.390
C	0.36	0.51	e	2.42	2.66

Absolute Maximum Ratings at Ta = 25°C

Parameter	Symbol	Ratings	Unit
Junction Temperature	Tj	+150	°C
Storage Temperature	Tstg	-55 ~ +150	°C
Collector to Base Voltage at Ta=25°C	VCBO	40	V
Collector to Emitter Voltage at Ta=25°C	VCEO	30	V
Emitter to Base Voltage at Ta=25°C	VEBO	5.0	V
Collector Current at Ta=25°C	IC	3.0	A
Total Power Dissipation at Ta=25°C	PD	750	mW

Characteristics at Ta = 25°C

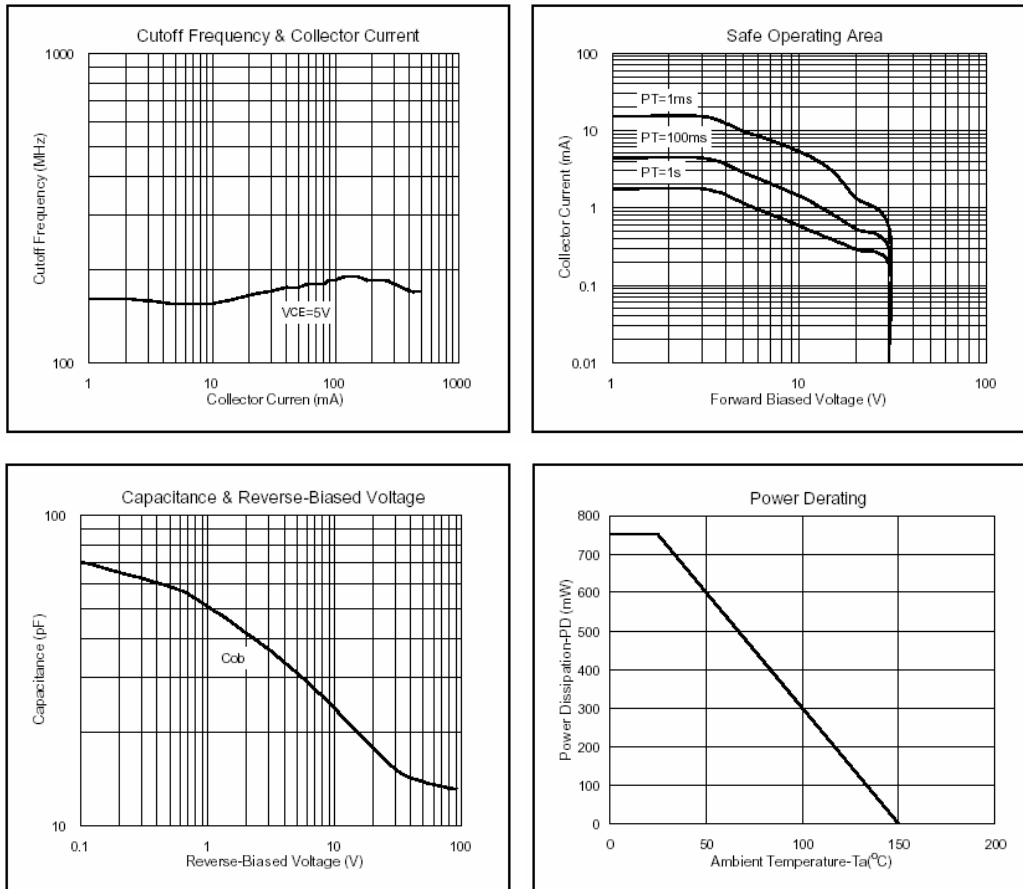
Symbol	Min.	Typ.	Max.	Unit	Test Conditions
BVCBO	40	-	-	V	IC=100uA, IE=0
BVCEO	30	-	-	V	IC=1mA, IB=0
BVEBO	5	-	-	V	IE=10uA
ICBO	-	-	1	uA	VCB=30V
IEBO	-	-	1	uA	VEB=3V
*VCE(sat)	-	-	0.5	V	IC=2A, IB=0.2A
*VBE(sat)	-	-	2	V	IC=2A, IB=0.2A
*hFE1	30	-	-		VCE=2V, IC=20mA
*hFE2	100	-	500		VCE=2V, IC=1A
FT	-	90	-	MHz	VCE=5V, IC=0.1A, f=100MHz
Cob	-	45	-	Pf	VCB=10V, IE=0, f=1MHz

*Pulse Test: Pulse Width ≤ 380us, Duty Cycle ≤ 2%

Classification Of hFE2

Rank	Q	P	E
Range	100-200	160-320	250-500

Characteristics Curve



Important Notice:

- All rights are reserved. Reproduction in whole or in part is prohibited without the prior written approval of GTM.
- GTM reserves the right to make changes to its products without notice.
- GTM semiconductor products are not warranted to be suitable for use in life-support Applications, or systems.
- GTM assumes no liability for any consequence of customer product design, infringement of patents, or application assistance.

Head Office And Factory:

- **Taiwan:** No. 17-1 Tatung Rd. Fu Kou Hsin-Chu Industrial Park, Hsin-Chu, Taiwan, R. O. C.
- TEL : 886-3-597-7061 FAX : 886-3-597-9220, 597-0785
- **China:** (201203) No.255, Jang-Jiang Tsai-Lueng RD. , Pu-Dung-Hsin District, Shang-Hai City, China
- TEL : 86-21-5895-7671 ~ 4 FAX : 86-21-38950165