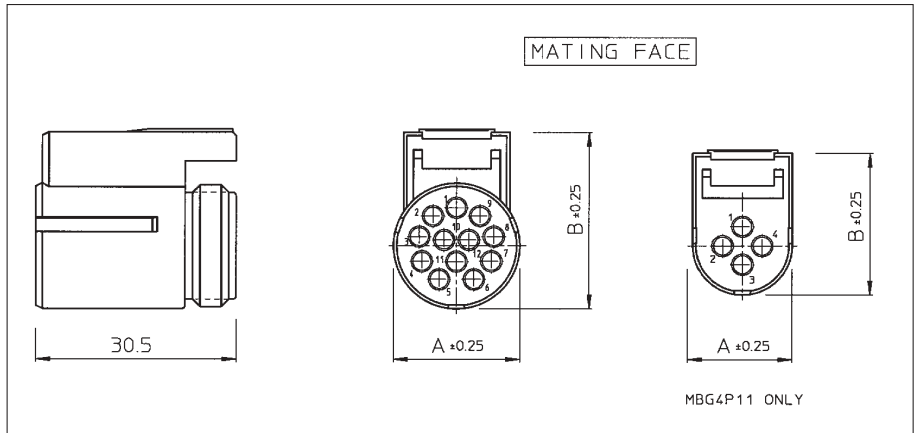


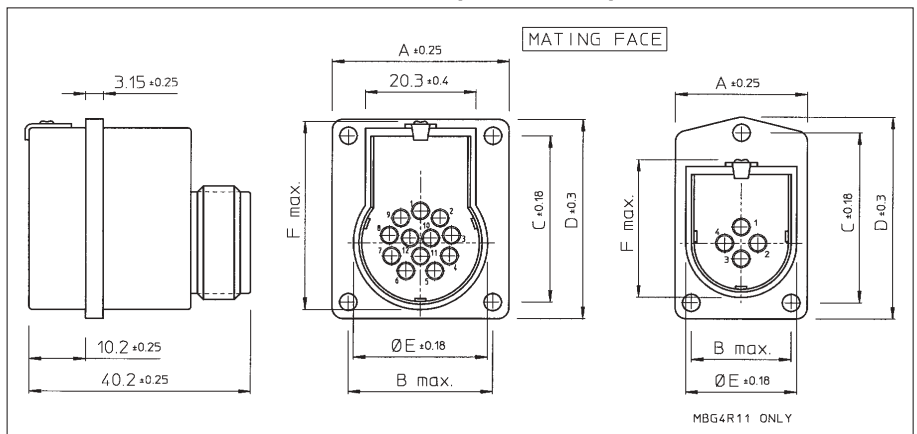


**Female plug connector for socket contacts (MBG--P1) - Standard version**  
**Male plug connector for pin contacts (MBG--P11) - Reversed version**



Female plug	Part number	Male plug	$\varnothing A \pm 0.25$	$B \pm 0.25$
MBG4P1		MBG4P11	15.08	21.90
MBG12P1		MBG12P11	19.43	27.25
MBG19P1		MBG19P11	22.83	30.53
MBG30P1		MBG30P11	27.94	35.51
MBG46P1		MBG46P11	34.42	41.91

**Panel mounting male receptacle connector for pin contacts (MBG--R1) - Standard version**  
**Panel mounting female receptacle connector for socket contacts (MBG--R11) - Reversed version**



Part number	Male Receptacle	Female Receptacle	$\varnothing A \pm 0.25$	B max.	$C \pm 0.18$	$D \pm 0.30$	$\varnothing E \pm 0.18$	F max.
MBG4R1		MBG4R11	23.90	18.08	31.45	37.36	20.07	29.46
MBG12R1		MBG12R11	32.49	26.54	30.76	36.86	24.64	34.93
MBG19R1		MBG19R11	32.44	26.54	34.04	40.13	27.86	38.10
MBG30R1		MBG30R11	35.61	28.65	38.00	44.91	38.10	43.31
MBG46R1		MBG46R11	42.24	35.13	46.94	54.05	39.70	49.61