

NOTES:

1.0 PINS WITHOUT ELECTRICAL CONNECTION ARE OMITTED.



InNet Technologies, Inc.
<http://www.innet-tech.com>



Stewart Connector Systems
<http://www.stewartconnector.com>

SHEET

1 OF 4

DRAWING NO.

SI-50062

REV.

X

ELECTRICAL SPECIFICATIONS:

- 1.0 TURNS RATIO: ((TD-) - (TD+)) : ((MX-) - (MX+)) : 1CT : 1CT ±3%
- 2.0 INDUCTANCE: ((TD-) - (TD+)) : 350 uH MIN. @ 0.01V, 100KHz, 8 mA DC BIAS
- 3.0 LEAKAGE INDUCTANCE: ((TD-) - (TD+)) (WITH (MX-) AND (MX+) SHORT) : 0.3uH MAX. @ 1MHz
- 4.0 INTERWINDING CAPACITANCE: ((TD-) - (TD+)) TO ((MX-) - (MX+)) : 70pf MAX @ 1MHz
- 5.0 DC RESISTANCE: ((MX-) - (MX+)) : 1.2 ohms Max.
- 6.0 RETURN LOSS: 1MHz TO 30MHz : -18dB MIN.
30MHz TO 80MHz : $-12+20 \text{ LOG} \left(\frac{F}{80\text{MHz}} \right)$
- 7.0 DIELECTRIC WITHSTAND: ((TD+) - (TD-)) TO ((MX-) - (MX+)) : 1500 VAC
- 8.0 INSERTION LOSS: RS=RL=100 ohms : -1.1 dB MAX
100KHz TO 100MHz
- 9.0 RISE TIME: RS=100 OHMS AND RL = 100 OHMS : 3.0 nS MAX
OUTPUT VOLTAGE = 1 V peak : 3.0 nS MAX
PULSE WIDTH= 112nS
- 10.0 CROSS TALK: 1-100 MHz : -33 dB MIN
- 11.0 COMMON TO COMMON MODE ATTENUATION: 1MHz TO 100MHz : -35dB TYP



InNet Technologies, Inc.
<http://www.innet-tech.com>



Stewart Connector Systems
<http://www.stewartconnector.com>

SHEET
2 OF 4

DRAWING NO. SI-50062

REV. X

NOTES:

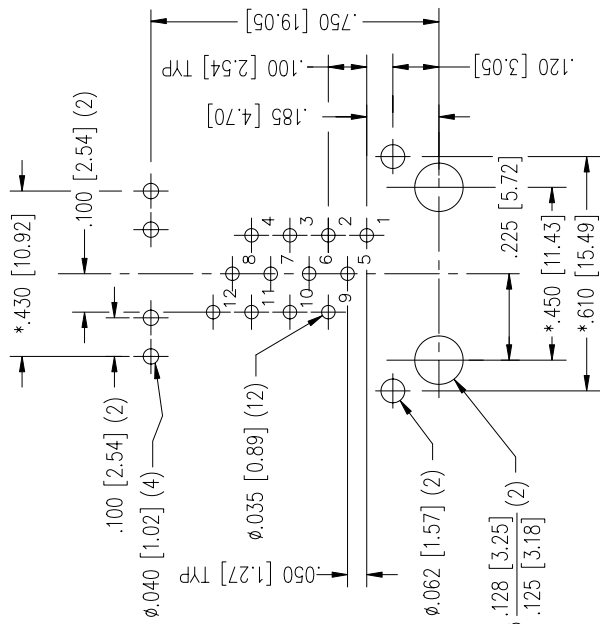
- TOLERANCES COMPLY WITH F.C.C. DIMENSION REQUIREMENTS
- DIMENSIONS SHOWN WITH "*" TO BE CENTRAL ABOUT CENTER LINE
- DIMENSIONS SHOWN ARE SUBJECT TO CHANGE WITHOUT NOTICE.
- PIN NOT ELECTRICALLY CONNECTED MAYBE OMITTED. SEE ELECTRICAL DRAWING FOR OMITTED PINS.
- 50 MICRO-INCH SELECTIVE GOLD PLATING

LED COLOR COMBINATIONS:

- YELLOW, RED & GREEN
- AVAILABLE IN ANY COMBINATION

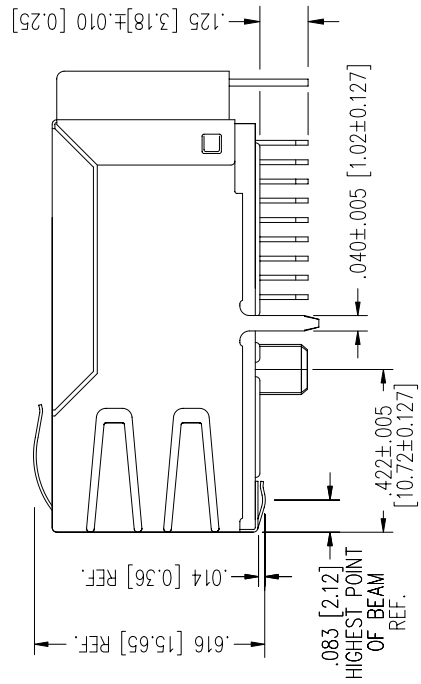
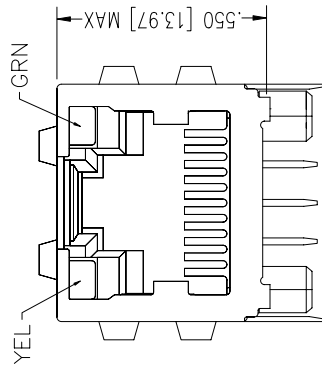
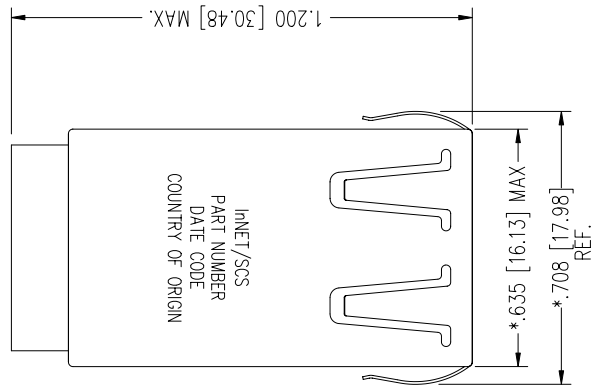
STANDARD LED	WAVELENGTH	* Forward V (MAX)	(TYP)
YELLOW	590 nm	2.5 V	2.1 V
GREEN	565 nm	2.5 V	2.2 V

* WITH A FORWARD CURRENT OF 20 mA

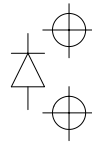


P.C.B. RECOMMENDED HOLE LAYOUT
SEEN FROM COMPONENT SIDE

TOLERANCE ±.003 [0.08] UNLESS OTHERWISE SPECIFIED



LED POLARITY
(ENLARGED VIEW)



SINGLE COLOR LED



InNet Technologies, Inc.
<http://www.innet-tech.com>

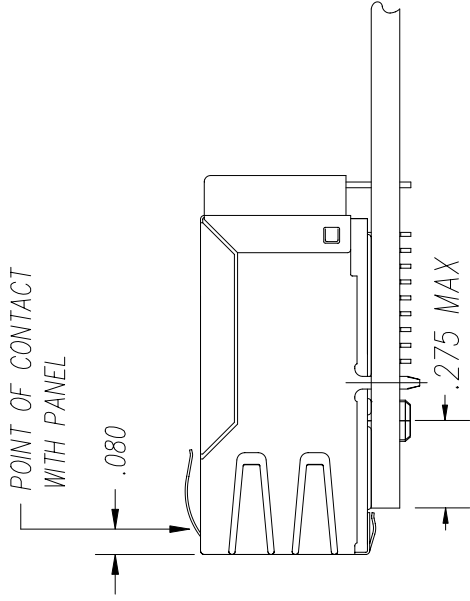
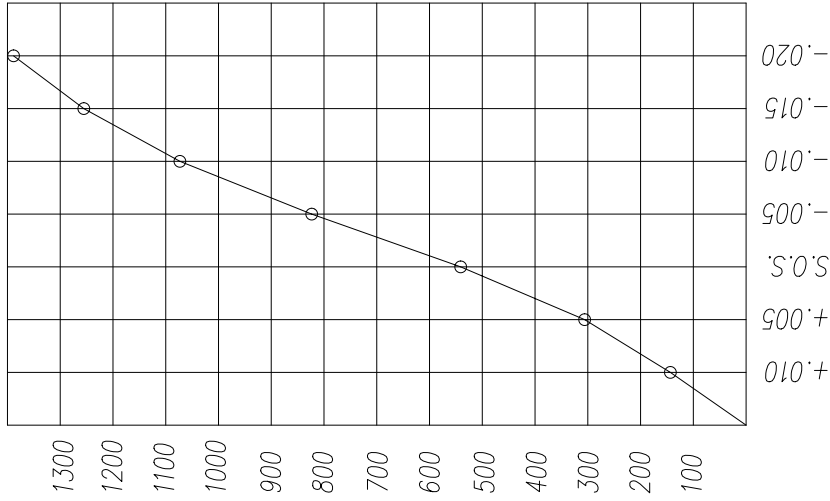


Stewart Connector Systems
<http://www.stewartconnector.com>

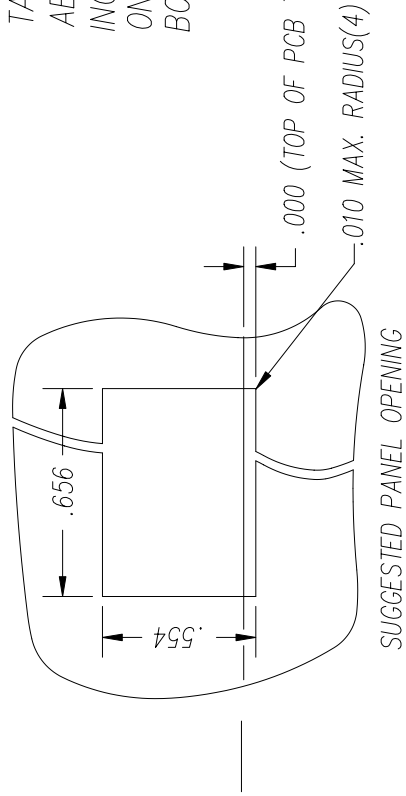
SHEET
3 OF 4

DRAWING NO. SI-50062

REV. X1



THE SUGGESTED PANEL OPENING IS INTENDED TO GIVE THE USER THE ABILITY TO HAVE REASONABLE JACK / PANEL CLEARANCES YET MAINTAIN RELIABLE GROUNDING CAPABILITY. THESE VARIABLES CAN BE ADJUSTED IN EITHER DIRECTION BUT MAY CARRY SOME CONSEQUENCES IN THE FORM OF LOWER MATING FORCES OR TIGHTER ASSEMBLY TOLERANCES. FORCE VALUES ON THE GRAPH ARE GENERAL AVERAGES TAKEN AT THE POINT OF CONTACT SHOWN ABOVE. THE SUGGESTED PANEL OPENING INCLUDES APPROXIMATELY .020 CLEARANCE ON THE SIDES AND TOP AND .013 ON THE BOTTOM, AT PANEL OPENING.



SUGGESTED PANEL OPENING