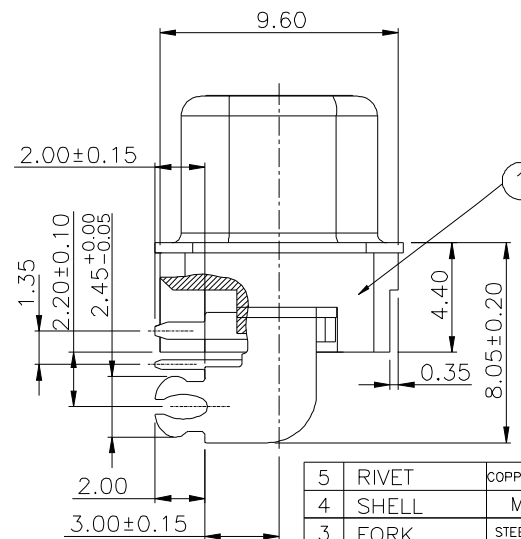
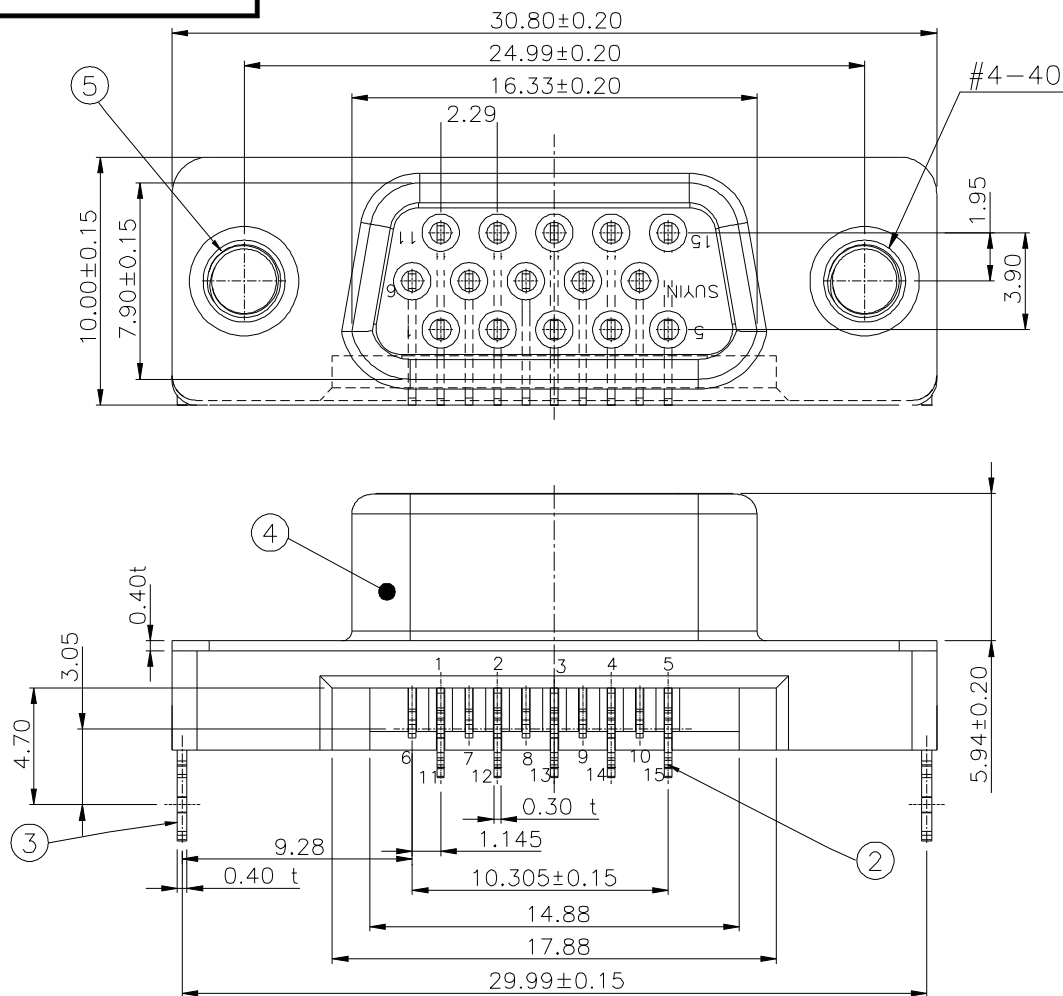




RoHS Compliant
2002/95/EC
HSF

Level-1 Controlled Substances are banned



NO.	DESCRIPTION	MATERIAL	COLOR	REMARK
5	RIVET	COPPER ALLOY	—	NICKEL PIATED
4	SHELL	METAL	—	NICKEL PIATED
3	FORK	STEEL ALLOY	—	TIN PLATED
2	TERMINAL	COPPER ALLOY	—	SELECTIVE GOLD/TIN
1	PLASTIC	HIGH TEMP PLASTIC	BLACK	UL 94V-0

SUYIN
CONNECTOR

CUSTOMER COPY	TITLE: D-SUB CONNECTOR		
PART NO.	070546FR015S260ZR		
PRODUCT SPEC.	070546FR/7846S		
FILE NAME.	D ING	070546FR015S260ZR-C	
SCALE	5:1	UNIT:mm	A4 SHEET: 1 of 3

ECN(DCN) NO.	REV	DATE	DESCRIPTION	CHANGE	APPRO.	GENERAL TOLERANCE UNLESS OTHERWISE NOTED	APPRO.	DATE
	0		NEW RELEASE	覃繁榮	江文業	Angle $\pm 2^\circ$ $30 \sim \pm 0.50$	DRAW	覃繁榮 08'/01/25
	PO	07'/07/11	NEW	劉學慶	許俊賢	$10 \sim 30 \pm 0.30$ $\sim 10 \pm 0.15$	DESIGN	覃繁榮 08'/01/25
							CHECK	龍以彪 08'/01/25
							APPRO.	江文業 08'/01/25

Original: Draw: 劉學慶 Design: 劉學慶 Check: 莫輝 Appro: 許俊賢 發行日期: 07'/07/11

070711-BC211