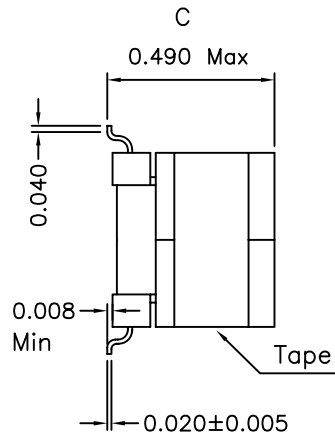
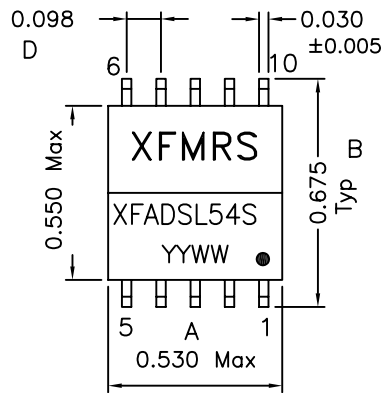
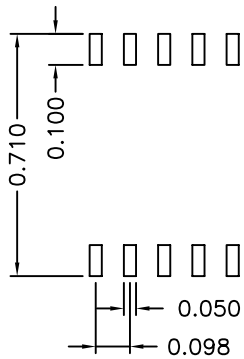


1. Dimensions:



CO-PLANARITY: 0.004 Max

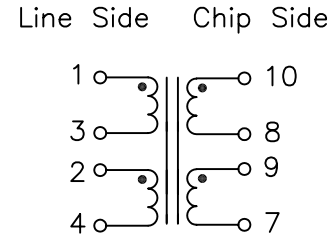


Suggested PCB Layout

Note:

1. Solderability: Leads shall meet MIL-STD-202, Method 208D for solderability.
2. Flammability: UL94V-0,
3. ASTM oxygen index: > 28% ,
4. Temperature rating: 155°C. UL file E151556,
5. Operating Temperature Range: 0°C to +70°C
6. Designed to meet the requirements of IEC 60950 Supplementary Insulation with 250 working volts.

2.Schematic:



3.Electrical Specifications: @25°C

OCL: P10-7 470uH±5% @10KHz, 0.1V Tie 8+9
 LL: P10-7 14uH Max @100KHz, 0.1V Tie 8+9, Short 1,2,3,4
 DCR: P10-8 0.600±10% Ohms
 DCR: P9-7 0.600±10% Ohms
 DCR: P1-3 0.750±10% Ohms
 DCR: P2-4 0.750±10% Ohms
 Turns Ratio: P1-4:10-7 = 1.26:1±1%
 Isolation Voltage: 1875VAC, P1-10
 Isolation Voltage: 650VDC, All Wdgs. to Core
 THD: -72dB Max @10KHz, 2Vrms Line:IC
 THD: -80dB Max @30KHz, 2.5Vrms Line:IC
 LB: -55dB Min @20KHz-1.1MHz
 Cww: P1-8 7pF Max @100KHz, 0.1V Tie 1,2,3,4 and 7,8,9,10

DOC. REV A/1

XFMRS Inc	Title: LINE TRANSFORMER			
	UNLESS OTHERWISE SPECIFIED TOLERANCES: .xxx ±0.010 Dimensions in INCH		P/N: XFADSL54S	REV. A
	DWN.	李小锋	Mar-26-03	
	CHK.	廖玉坤	Mar-26-03	
SHEET 1 OF 1	APP.	BW	Mar-26-03	