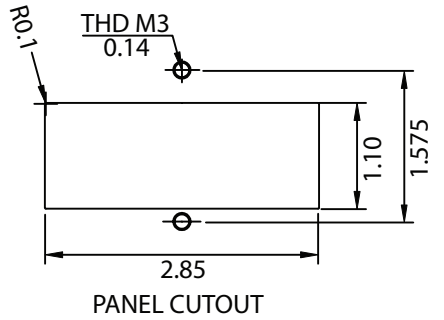
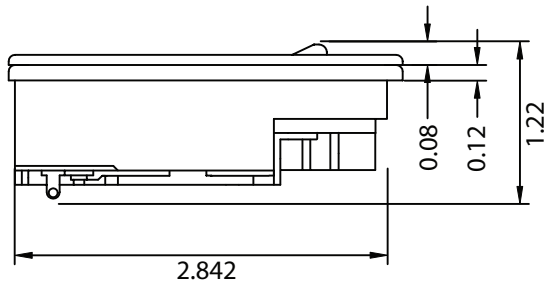
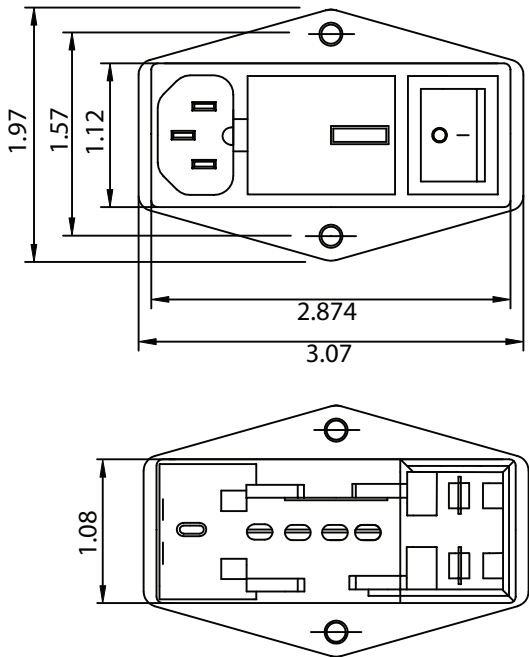


THESE DRAWINGS ARE THE PROPERTY OF QUALTEK ELECTRONICS AND NOT TO BE REPRODUCED FOR OR COMMUNICATED TO A THIRD PARTY WITHOUT THE EXPRESS WRITTEN PERMISSION OF AN OFFICER OF QUALTEK ELECTRONICS.

REVISION			
REV.	DESCRIPTION	DATE	APPROVED
B	RoHS Compliancy	06-01-06	DP
C	Updated Specifications	01-24-08	DP

MECHANICAL DIMENSIONS:

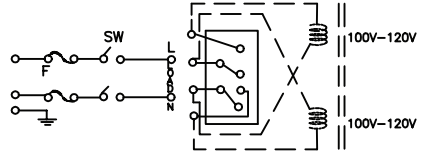


NOTES:

ELECTRICAL CHARACTERISTICS:
 RATED CURRENT:
 UL / CSA / SEMKO @ 250 VAC.....10 AMP
 DPST POWER SWITCH:
 UL / CSA / @ 250 VAC.....10 AMP
 SEMKO @ 250VAC.....10 AMP
 VOLTAGE SELECTOR CARD:
 100-120 VAC or 200-240 VAC INPUT VOLTAGE
 UL / CSA / SEMKO @ 250.....10 AMP
 DOUBLE 5x20mm FUSEHOLDER
 SOLDER TAB TERMINALS
 FLAMMABILITY CLASS UL94V-0
 PLASTIC CASE
 SCREW MOUNT TYPE

APPROVALS: UL, CSA, SEMKO
 RoHS COMPLIANT

ELECTRICAL SCHEMATIC:



CONTROLLED

		Qualtek Electronics Corp. PPC DIVISION		
Dim range (mm)	Tolerance +/- (mm)	Part Number: 764-00/003		RoHS Compliant
0-1	0.15	Description: MULTI-FUNCTION MODULE		
1-6	0.20		UNIT: in	REV. C
6-18	0.30		UNIT: in	REV. C
18-50	0.50		UNIT: in	REV. C
50-120	0.70	Drawn / Date	Checked / Date	Approved / Date
120-250	0.90	B.ZHANG 09-24-03	09-24-03	JJH / 09-24-03
250-500	1.20			