

PLEASE CHECK WWW.MOLEX.COM FOR LATEST PART INFORMATION

Part Number: [0504097125](#)
Status: **Active**
Description: Ring Tongue Terminal for 400MCM AWG, Closed Uninsulated Brazed Barrel, Stud Size M10, Oxygen-Free Copper, Length 72.00mm (2.835")

Documents:

[Drawing \(PDF\)](#) [RoHS Certificate of Compliance \(PDF\)](#)
[Product Specification PS-50409-001 \(PDF\)](#)

General

Product Family	Ring and Spade Terminals
Series	50409
Crimp Quality Equipment	Yes
Mil-Spec	N/A
Product Name	R (Ring)
Type	Ring

Physical

Barrel Type	Closed - Brazed
Insulation	None
Material - Plating Mating	Tin
Packaging Type	Bag
Stud Size	M10
Wire Size AWG	400MCM
Wire Size mm ²	192.6 - 242.27

Material Info

Reference - Drawing Numbers

Product Specification	PS-50409-001
Sales Drawing	SD-50409-001



Series

image - Reference only

EU RoHS

**ELV and RoHS
Compliant**
**REACH SVHC
Not Reviewed**
**Halogen-Free
Status
Not Reviewed**

China RoHS



**Need more information on product
environmental compliance?**

Email productcompliance@molex.com
 For a multiple part number RoHS Certificate of Compliance, [click here](#)

Please visit the [Contact Us](#) section for any non-product compliance questions.

Search Parts in this Series

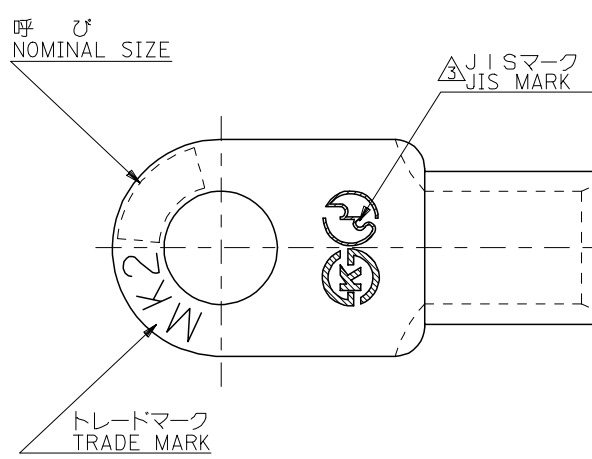
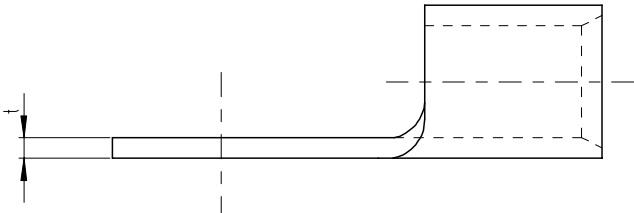
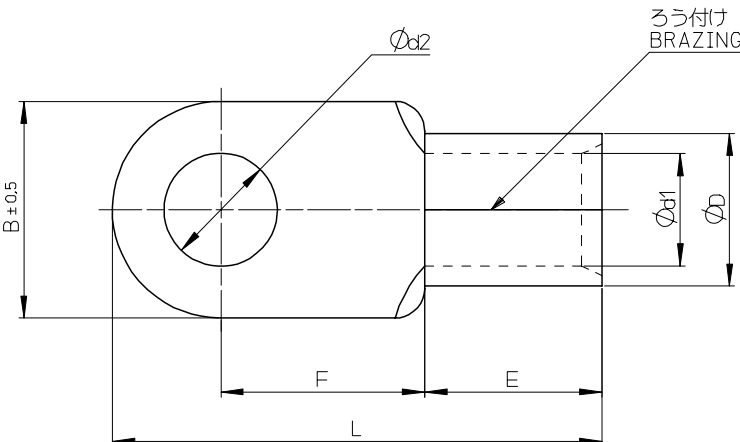
[50409Series](#)

Application Tooling | [FAQ](#)

Tooling specifications and manuals are found by selecting the products below. Crimp Height Specifications are then contained in the Application Tooling Specification document.

Japan

Description	Product #
Tool Kit For 57343-9012	0573439001



注記 NOTES

1 材質 MATERIAL
 端子：無酸素銅、錫めっき
 TERMINAL: OXYGEN-FREE COPPER, TIN PLATING
 ろう付け部：銀ろう
 PART OF BRAZING : SILVER SOLDER

2 適用電線 APPLICABLE WIRE RANGE

単線 SOLID WIRE	撚線 STRANDED WIRE
15.6-17.5 mm	192.6-242.27 mm ²

⚠ JIS認定品にのみ刻印。
 DIE STAMPED MARK IS ALLOWED ONLY
 FOR JIS FILED PRODUCTS.

JIS	3.9 MN	28 ^{+0.5} ₀	94 MAX	34.5 MN	30.5 MN	24 ±0.6	32.7 ^{+0.9} _{-0.6}	44	200	27	50409-7926
		25 ^{+0.5} ₀		32.5 MN						24	50409-7826
		23 ^{+0.5} ₀		30 MN						22	50409-7726
		21 ^{+0.5} ₀		27 MN						20	50409-7626
		19 ^{+0.5} ₀		24.5 MN						18	50409-7526
	4 ^{+0.22} _{-0.1}	17 ^{+0.5} _{-0.1}	91 ±12	37.5 ±1.1	31.5 ±1	24 ^{+0.7} _{-0.6}	32.7 ^{+0.9} _{-0.7}			L16	50409-7426
		15 ^{+0.5} _{-0.1}								L14	50409-7326
		13 ^{+0.5} _{-0.1}								L12	50409-7226
		10.5 ^{+0.5} _{-0.1}								L10	50409-7126
		8.4 ^{+0.5} _{-0.1}								L8	50409-7026
JIS	3.9 MN	17 ^{+0.5} ₀	94 MAX	22.5 MN	30.5 MN	24 ±0.6	32.7 ^{+0.9} _{-0.6}			16	50409-7925
	4 ^{+0.22} _{-0.1}	15 ^{+0.5} _{-0.1}	78 ±12	24.5 ±1.1	31.5 ±1	24 ^{+0.7} _{-0.6}	32.7 ^{+0.9} _{-0.7}			14	50409-7825
		13 ^{+0.5} _{-0.1}								12	50409-7725
		10.5 ^{+0.5} _{-0.1}								10	50409-7625
		8.4 ^{+0.5} _{-0.1}								S16	50409-7525
										S14	50409-7425
	S12	50409-7325									
	S10	50409-7225									
	S8	50409-7125									
		8	50409-7025								

REVISED EC NO: J2007-0312 DR: N. H. YAJIMA 2007/05/17 CHK: K. KASAHARA 2007/05/18 APP: R. NUKITA 2007/05/18	GENERAL TOLERANCES (UNLESS SPECIFIED)		DIMENSION STYLE MM ONLY		SCALE ---	DESIGN UNITS METRIC	THIRD ANGLE PROJECTION	
	10 UNDER	± ---	DRAWN BY H. IJIMA	DATE '98/02/27	TITLE RING TERMINAL NON-INSULATED CRIMPSTYLE TERM FOR CU CONDUCTORS			
	10 OVER 30 UNDER	± ---	CHECKED BY M. FUKUSHIMA	DATE '98/03/03	MOLEX INCORPORATED			
	30 OVER	± ---	APPROVED BY M. FUKUSHIMA	DATE '98/03/03	MATERIAL NO. SEE CHART			
	ANGULAR	± --- °	DRAFT WHERE APPLICABLE MUST REMAIN WITHIN DIMENSIONS		DOCUMENT NO. SD-50409-001	SHEET NO. 1 OF 1		