

ELECTRICAL SPECIFICATIONS:

- 1.0 TURNS RATIO: (P6-P4-P3) : (J3-J6) : 1CT : 1CT ± 3%  
(P8-P5-P7) : (J1-J2) : 1CT : 1CT ± 3%
- 2.0 INDUCTANCE: (P8-P7) : 350uH MIN. @ 0.1V, 100KHz, 8mA DC Bias  
(P3-P6) : 350uH MIN. @ 0.1V, 100KHz, 8mA DC Bias
- 3.0 DC RESISTANCE: (J6-J3)=(J2-J1) : 1.4 ohms Max.

NOTE

1.0 P  
CON

2.0 E

Bel Stewart C  
11118 Susquehanna  
Glen Rock, Pa 1732  
717.234.7512

THIS DRAWING AND THE SUBJECT MATTER SHOWN THEREON ARE CONFIDENTIAL AND PROPERTY OF BEL STEWART CONNECTOR AND SHALL NOT BE REPRODUCED, COPIED, OR USED IN ANY MANNER WITHOUT PRIOR WRITTEN CONTENT OF BEL STEWART CONNECTOR. THE SUBJECT MATTER MAY BE PATENTED OR A PATENT MAY BE PENDING.

RECEIVE

4.0 RETURN LOSS: (P6-P3)=100 OHMS AND (P8-P7)=100 OHM REF.

1MHz TO 30MHz : 18dB MIN.  
30MHz TO 80MHz : 12dB MIN.

NOTE: 100 OHMS CONNECTED TO (J2-J1) OR (J6-J3).

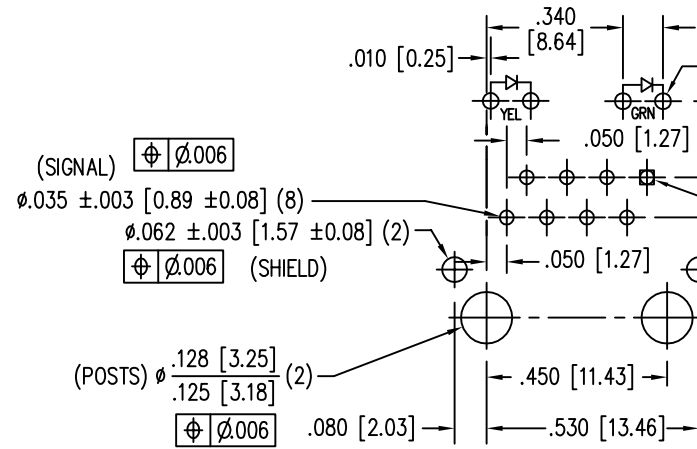
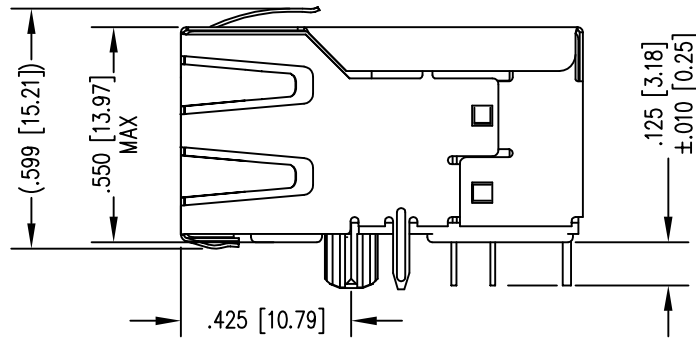
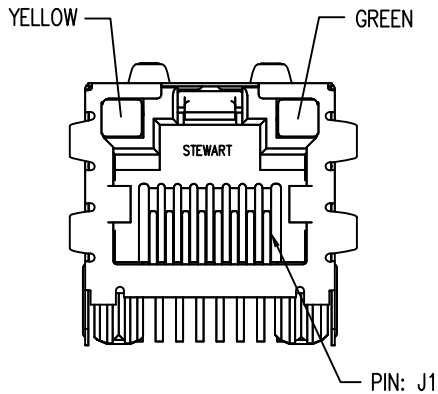
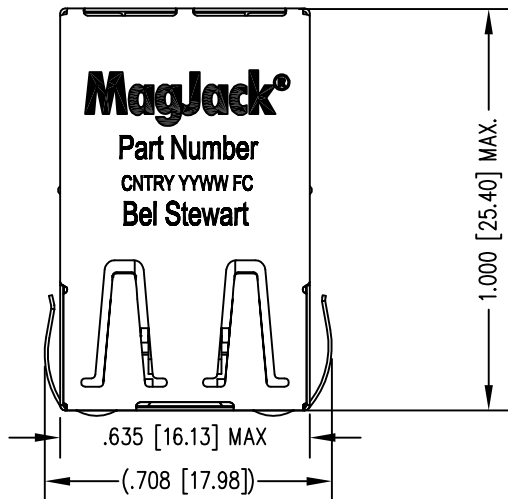
5.0 DIELECTRIC WITHSTAND: (J1, J2) TO (P8, P7) : 1500 VAC  
(J3, J6) TO (P3, P6) : 1500 VAC

6.0 INSERTION LOSS: RS=RL=100 ohms : 1.1 dB TYP  
100KHz TO 100MHz

7.0 CROSS TALK: 1-100 MHz : 30 dB TYP

8.0 COMMON TO COMMON MODE ATTENUATION: CH1: 1MHz TO 100MHz : 28dB TYP

CH2: 1MHz TO 100MHz : 20dB TYP



P.C.B. RECOMMENDED HOLE L  
SEEN FROM COMPONENT S

ALL CENTERLINE DIMENSIONS AP

NOTES:

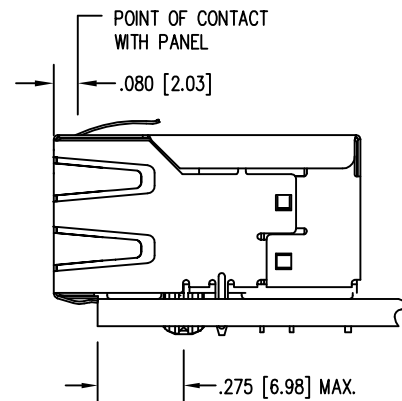
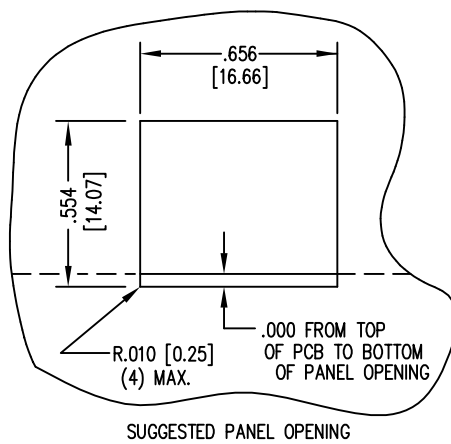
1. CONNECTOR MATERIALS:  
HOUSING: THERMOPLASTIC  
CONTACT/SHIELD: COPPER  
SHIELD PLATING: NICKEL  
CONTACT PLATING: SILVER
2. PIN NOT ELECTRICAL  
SEE ELECTRICAL DRAWING
3. TOLERANCES COMPLIANT WITH MIL-STD-203
4. ALL TOLERANCES NOMINAL UNLESS OTHERWISE SPECIFIED
5. WAVE SOLDER COMPATIBLE  
HIGH TEMPERATURE

LED SPECIFICATION			
STANDARD LED	WAVELENGTH	* Forward V (MAX)	(TYP)
GREEN	565 nm	2.5 V	2.1 V
YELLOW	590 nm	2.5 V	2.1 V

\*WITH A FORWARD CURRENT OF 20 mA

THIS DRAWING AND THE SUBJECT MATTER SHOWN THEREON ARE CONFIDENTIAL AND PROPERTY OF BEL STEWART CONNECTOR AND SHALL NOT BE REPRODUCED, COPIED, OR USED IN ANY MANNER WITHOUT PRIOR WRITTEN CONTENT OF BEL STEWART CONNECTOR. THE SUBJECT MATTER MAY BE PATENTED OR A PATENT MAY BE PENDING.

Bel Stewart  
11118 Susquehanna  
Glen Rock, Pa 1732  
717.234.7512



1. THE SUGGESTED... TO GIVE THE US... REASONABLE JA... YET MAINTAIN R... CAPABILITY.
2. ALL TOLERANCE... TO BE  $\pm 0.005$  [0.127] MAX.