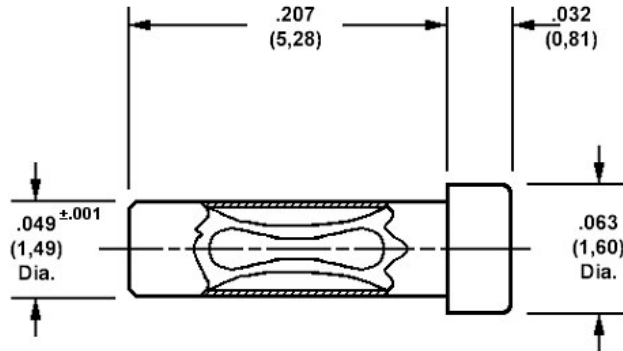


450-3268 Solder mount socket, for .016 (0,41) to .020 (0,51) diameter pins

Recommended mounting hole .052 (1,32) +.002 (0,05) -.001 (0,03), #55 drill



Min hole depth .197 (5,00).

How to order code
450-3268-01-XX-00
Basic Part No XX = Finish

MATERIALS				
Component	Material	Finish(-03)	Finish(-04)	Finish(-06)
Body	Brass	Gold over Nickel	Tin	Tin
Spring	Beryllium copper	Gold over Nickel	Tin	Gold over Nickel