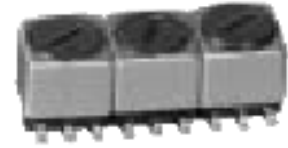
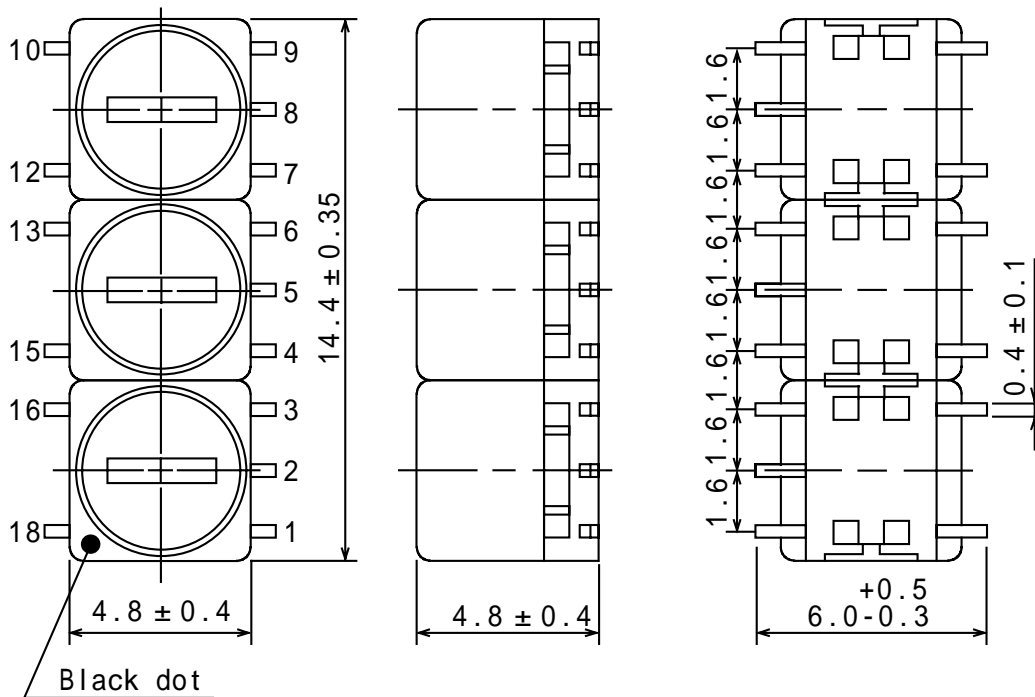


Type: CY-4T
Product Description

- 14.75 × 5.2mm Max.(L × W), 5.2mm Max. Height.
- Operating frequency:0.1~20MHz
- In addition to the reference versions of parameters shown here, custom designs are available to meet your exact requirements.

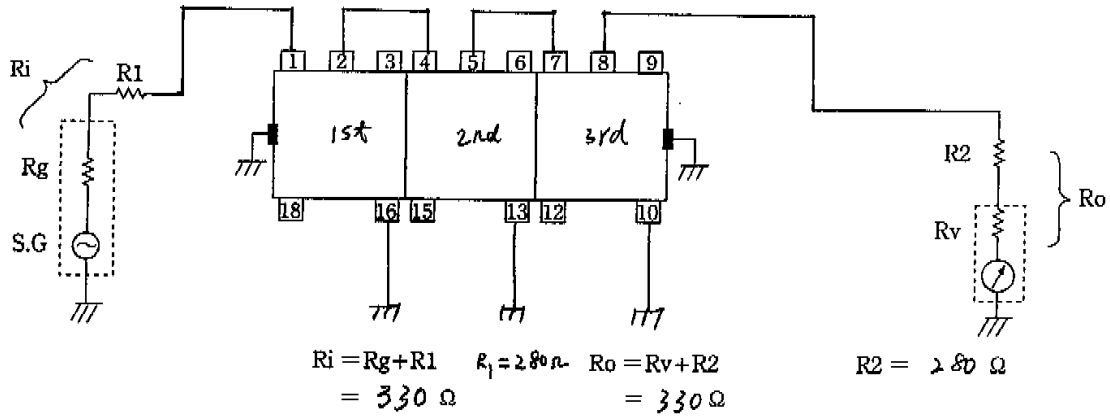

Feature

- Combined with three adjustable or Nonadjustable individual coils.
- Two capacitors can be internally mounted in one section.
- Ideally used as Video Filters(LPF, BPF, Delay Line)
- Superior distortion factor.
- RoHS Compliance

Dimensions (mm)


Type: CY-4T

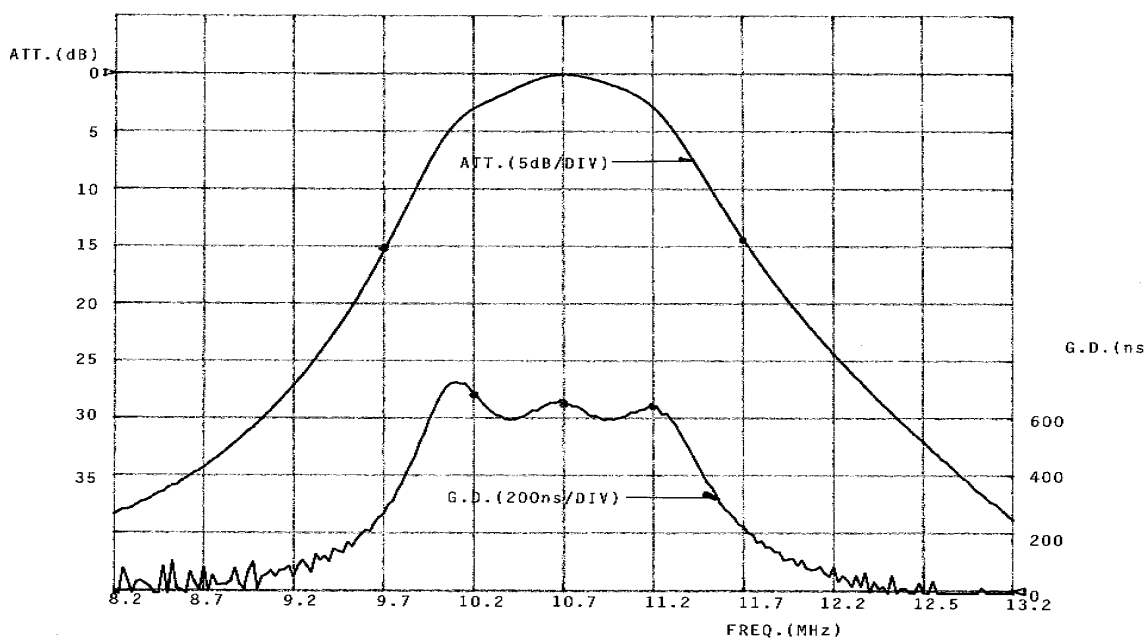
Testing circuit



Specification (Part Number: 2570-T007)

Item		Specification
Input impedance	Rin	330Ω
Output impedance	Rout	330Ω
Attenuation	10.2MHz	3dB±2.8dB Within
	11.2MHz	3dB±2.8dB Within
	9.7MHz	MIN. 15dB
	11.7MHz	14dB(TYP)
Group Delay	10.2MHz	720ns±140ns Within
Insertion Loss	10.7MHz	4.5dB(TYP)

Frequency Response (Attenuation 0dB at 10.7MHz)



Please refer to the sales offices on our website for a representative near you