

Features

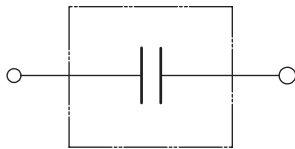
- High performance.
- Insulation resistance more than 20,000ΩF.
- Dissipation factor less than 0.001 at 1,000Hz.
- High surge withstand voltage and high current withstand capability.



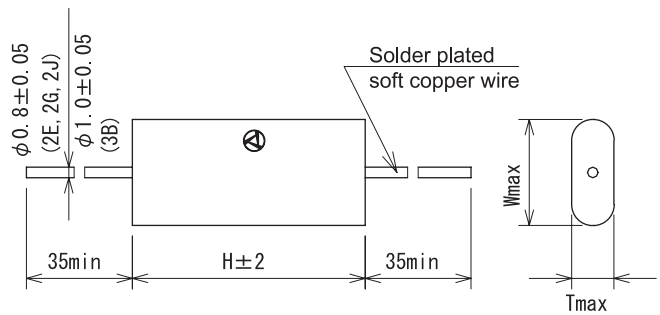
Applications

- High frequency circuit, High voltage resonant circuit, Snubber circuit and Protection of semiconductors.

Circuit



Dimensions



Unit: mm

Electrical Specifications

Operating Temperature: -40 ~ +85°C

PART NO.	WV		2E(250WV)			2G(400WV)			2J(630WV)			3B(1250WV)			Dissipation factor	Test voltage	Insulation resistance
	μF	W	T	H	W	T	H	W	T	H	W	T	H				
824	0.82							20.5	9.5					0.001max (at 1000±100Hz)	WV × 1.75 (2~5sec)	20000ΩF min (at 20°C 100V _{DC})	
105	1.0							21.5	10.0								
125	1.2				20.5	9.0	44.0	23.0	11.5	44.0	30.0	20.5	60.0				
155	1.5				22.0	10.5		24.5	13.0		32.5	23.0					
185	1.8				23.5	11.5		26.5	14.5		35.5	26.0					
225	2.2	20.0	8.0	44.0	25.0	13.0		28.0	16.0		38.5	29.0					70.0
275	2.7	21.5	9.0		26.5	14.5		30.5	17.5		41.5	32.0					
335	3.3	22.0	10.5		28.5	16.5		35.0	20.0		45.5	36.0					
395	3.9	23.5	11.5		32.0	17.0					49.0	39.5					
475	4.7	25.0	13.0		34.5	19.0					53.0	44.0					
565	5.6	27.0	14.5														
685	6.8	28.5	16.5														
825	8.2	33.5	17.5														
106	10.0	34.5	19.5														
126	12.0	37.0	22.0														

● Model Numbering System

