



TAI-SAW TECHNOLOGY CO., LTD.

No. 3, Industrial 2nd Rd., Ping-Chen Industrial District,
Taoyuan, 324, Taiwan, R.O.C.

TEL: 886-3-4690038 FAX: 886-3-4697532

E-mail: tstsales@mail.taisaw.com Web: www.taisaw.com

Approval Sheet For Product Specification

Issued Date:

Product Name: SAW Filter 433MHz SMD 3.8×3.8mm

TST Parts No.: TA0692A

Customer Parts No.: _____

| |
|---------------------|
| Company: _____ |
| Division: _____ |
| Approved by : _____ |
| Date: _____ |

Checked by: _____ Asin Lin

Approval by: _____ Francis Chen

Date: _____ 2007/05/11



TAI-SAW TECHNOLOGY CO., LTD.

No. 3, Industrial 2nd Rd., Ping-Chen Industrial District,
Taoyuan, 324, Taiwan, R.O.C.

TEL: 886-3-4690038 FAX: 886-3-4697532

E-mail: tstsales@mail.taisaw.com Web: www.taisaw.com

SAW Filter 433 MHz

MODEL NO.: TA0692A

REV. NO.:1

A. MAXIMUM RATING:

1. Input Power Level: 10 dB_m
2. DC voltage: 3 V
3. Operating Temperature: -30°C to 72°C
4. Storage Temperature: -30°C to +85°C

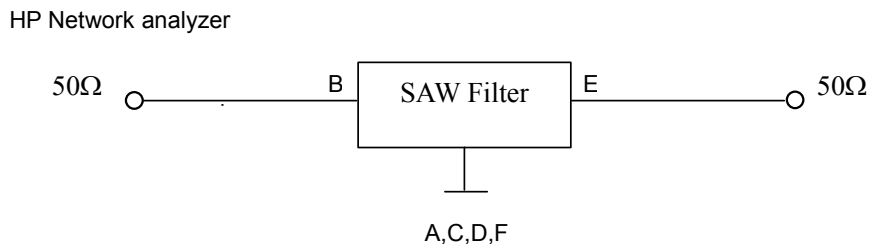
RoHS Compliant
Lead free
Lead-free soldering

B. CHARACTERISTICS:

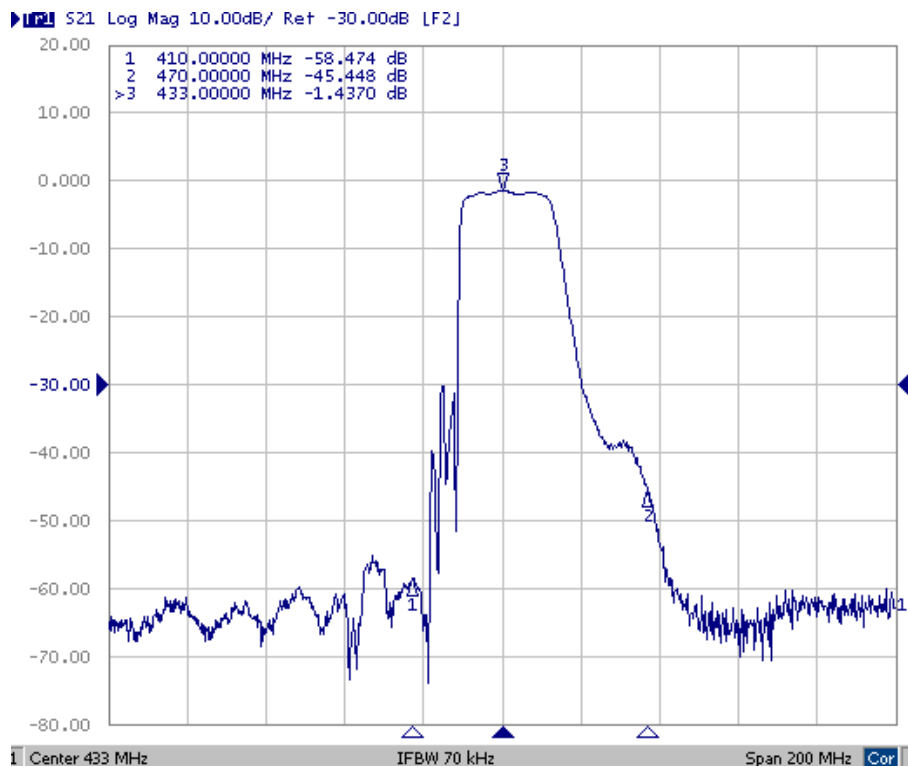
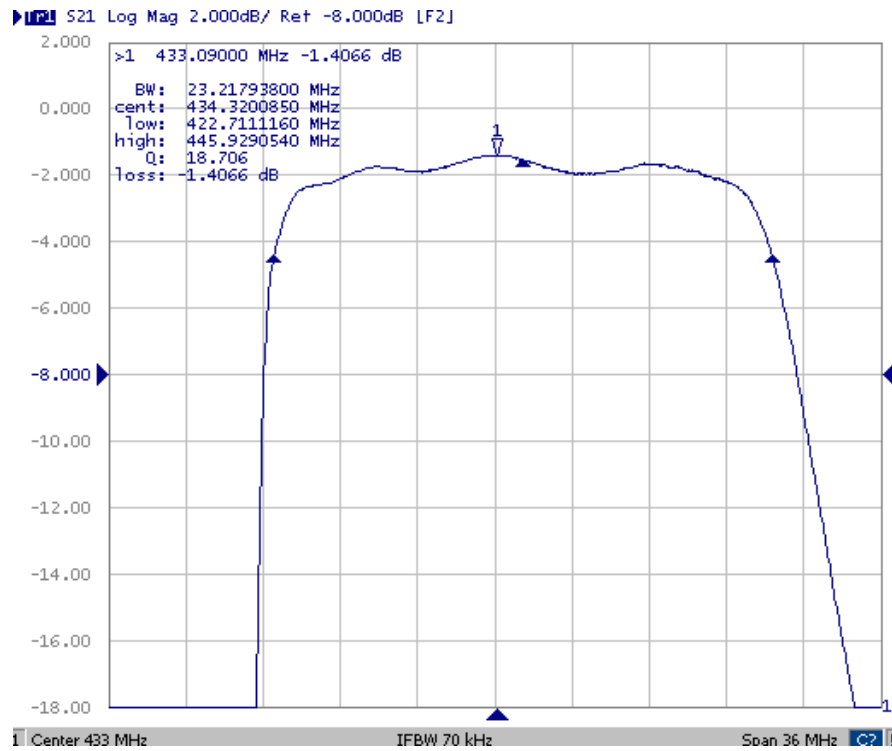
| Item | | Specification | | | |
|---|--------------------|---------------|------|------|------|
| | | Unit | Min. | Typ. | Max. |
| Center Frequency | F _c | MHz | - | 433 | - |
| Insertion Loss | IL _{min} | dB | - | 1.4 | 2.8 |
| Bandwidth | BW _{-3dB} | MHz | 20 | 22.9 | - |
| Absolute Attenuation(reference to 0 dB) | | | | | |
| 10 ~ 410 | MHz | dB | 36 | 45 | - |
| 470 ~ 680 | MHz | dB | 36 | 46 | - |
| Source impedance | Z _s | Ω | - | 50 | - |
| Load impedance | Z _L | Ω | - | 50 | - |
| Temperature coefficient | | ppm/k | | -36 | |

Note: IL_{min} is the minimum of the pass band attenuation. The center frequency F_c is the mean value of the upper and lower frequencies at the 3dB filter attenuation level relative to the IL_{min}.

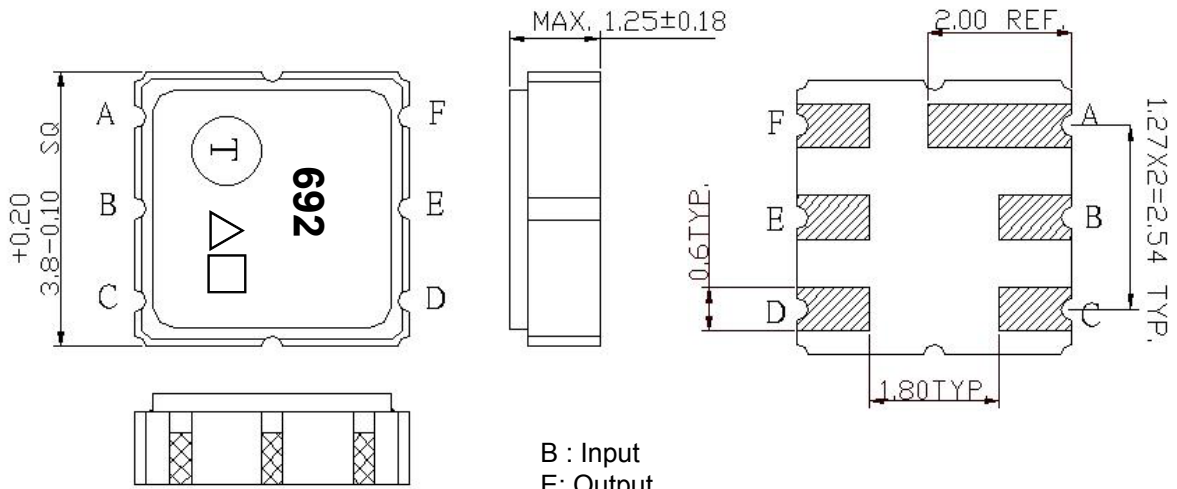
C. MEASUREMENT CIRCUIT:



D. TRANSFER FUNCTION :



E.OUTLINE DRAWING:

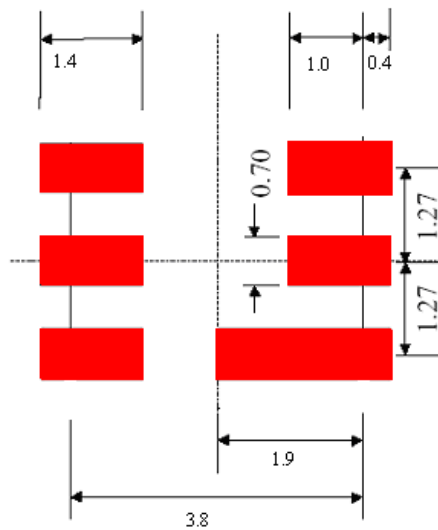


B : Input
 E: Output
 A,C,D,F Ground
 △:Year Code
 □: Date Code(Follow the table provided by planner each year.)
 Unit: mm

△ Product Year Code

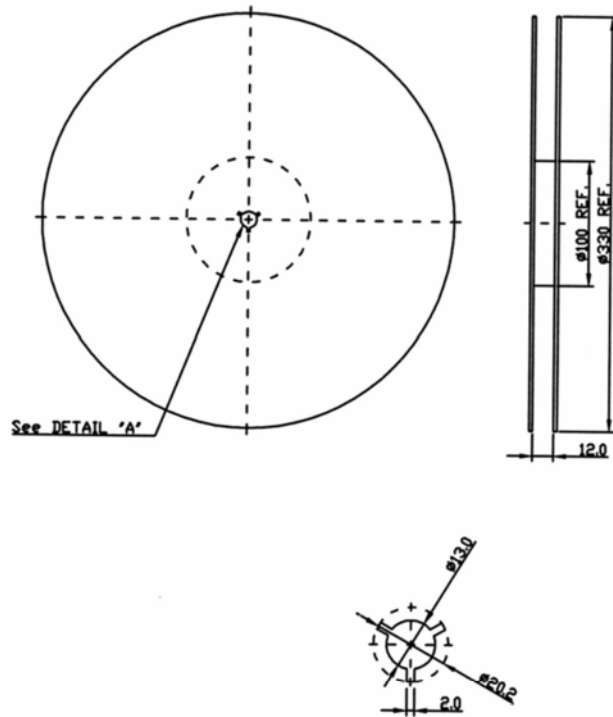
| | | |
|--------------|------|------|
| Year | 2005 | 2006 |
| | 2007 | 2008 |
| | 2009 | 2010 |
| Product Code | A | a |

F.PCB FOOTPRINT:

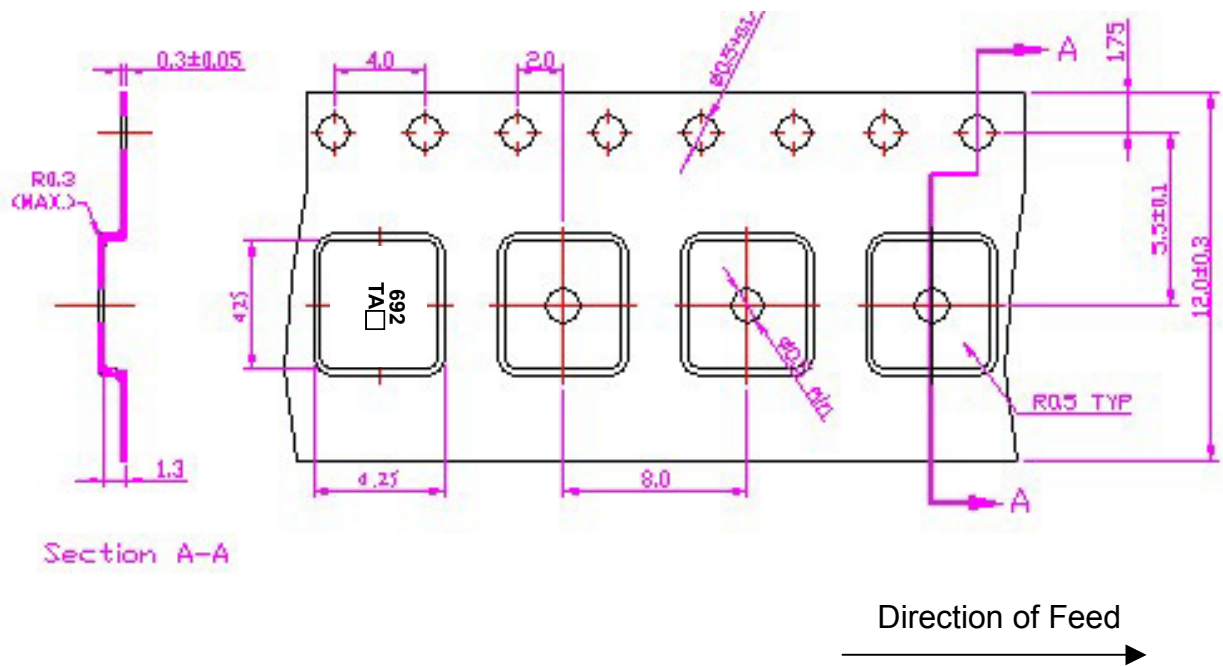


G. PACKING:

1. REEL DIMENSION



2. TAPE DIMENSION



H. REFLOW PROFILE

