

Aluminum Electrolytic Capacitors

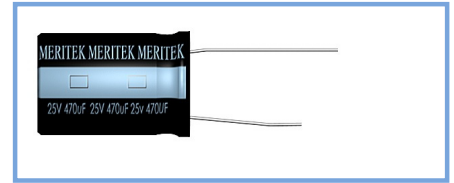


RFZ Series
(High R.C., Low IMP & ESR)

MERITEK

FEATURES

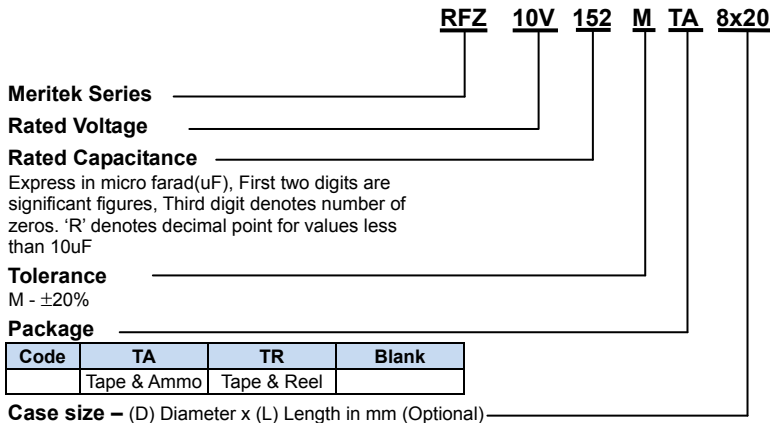
- Have a high ripple current, low IMP & E.S.R. and long life characteristics.
- Suitable for output of M/B and switching power supplies.



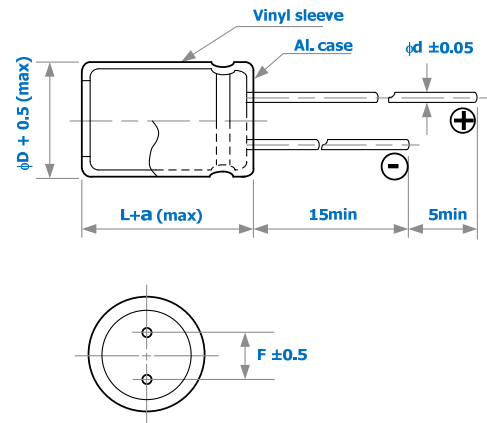
SPECIFICATIONS

Item	Characteristic					
Operating Temp Range	- 40 ~ +105°C					
Rated Working Voltage	6.3 ~ 25VDC					
Capacitance Tolerance (120Hz 20°C)	± 20%(M)					
Leakage Current (20°C)	I ≤ 0.03CV or 3 (uA) * Whichever is greater after 2 minutes					I : Leakage Current (μA) C : Rated Capacitance(μF) V : Working Voltage (V)
Surge Voltage (20°C)	W.V.	6.3	10	16	25	
	S.V.	8	13	20	32	
Dissipation Factor (tan δ) (120Hz 20°C)	Add 0.02 per 1000uF for more than 1000uF					
	W.V.	6.3	10	16	25	
	tan δ	0.22	0.19	0.16	0.16	
Low Temperature Stability	Impedance ratio at 120Hz					
	Rated Voltage (V)	6.3	10	16	25	
	-25°C / +20°C	2	2	2	2	
	-40°C / +20°C	3	3	3	3	
Load Life	After 2000 hours of W.V. and +105°C ripple current value, the capacitor shall meet the following limits. (DC + ripple peak voltage ≤ rated working voltage)					
	Capacitance Change	≤ ±25% of initial value.				
	Dissipation Factor	≤ 200% of initial specified value				
	Leakage Current	≤ initial specified value				
Shelf Life	At +105°C no voltage application after 1000 hours. The capacitor shall meet the limits for load life characteristics. (with voltage treatment)					

PART NUMBER SYSTEM



DIMENSIONS (mm)



φD	8	10	12.5
F	3.5	5.0	5.0
d	0.6	0.6	0.6
a	1.5	1.5	1.5

Aluminum Electrolytic Capacitors



RFZ Series
(High R.C., Low IMP & ESR)

MERITEK

RIPPLE CURRENT COEFFICIENTS

Frequency(Hz)	120	1k	10k	≥100k
Multiplier	0.50	0.80	0.90	1.00

Temperature(°C)	≤65	85	105
Multiplier	2.1	1.7	1.0

CASE SIZE & MAX RIPPLE CURRENT

Case size : DxL (mm)
 Max. E.S.R : Ω 20°C 100kHz
 Max. ripple current : mA(rms) 105°C 100kHz

Cap. (uF)	V	6.3			10		
		DxL	E.S.R.	R.C.	DxL	E.S.R.	R.C.
680					8x14	0.036	1230
820		8x11.5	0.036	1230			
1000		8x16	0.028	1560	8x16	0.028	1660
					10x12.5	0.028	1700
1200		8x16	0.028	1710			
1500		8x20	0.018	2040	8x20	0.019	2150
		10x12.5	0.020	1760	10x16	0.019	2200
1800		10x16	0.018	2140	10x20	0.013	2660
2200		10x20	0.015	2530	10x23	0.012	3000
3300		10x23	0.012	3110			
3900		10x26	0.012	3480			
4700		12.5x26	0.014	3810			

Cap. (uF)	V	16			25		
		DxL	E.S.R.	R.C.	DxL	E.S.R.	R.C.
470		8x11.5	0.036	1160	10x16	0.019	2030
680		8x16	0.028	1610			
		10x12.5	0.028	1640			
1000		8x20	0.019	2160			
		10x16	0.019	2210			
1500		10x20	0.013	2830			
1800		10x23	0.012	3300			