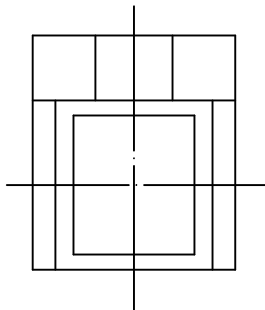
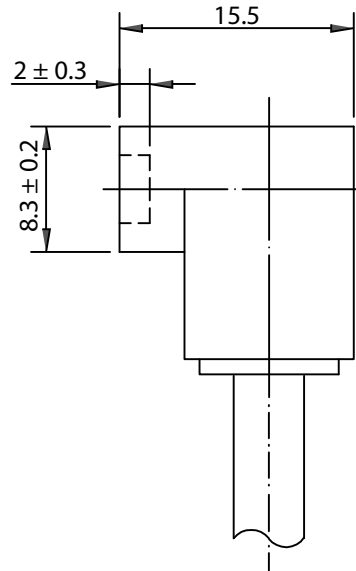
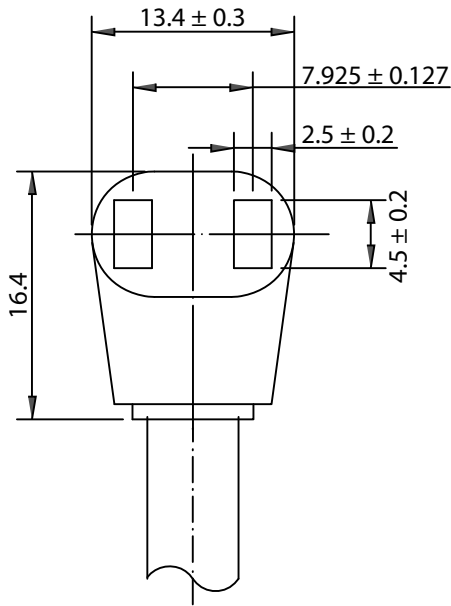


THESE DRAWINGS ARE THE PROPERTY OF QUALTEK ELECTRONICS AND NOT TO BE REPRODUCED FOR OR COMMUNICATED TO A THIRD PARTY WITHOUT THE EXPRESS WRITTEN PERMISSION OF AN OFFICER OF QUALTEK ELECTRONICS.

REVISION			
REV.	DESCRIPTION	DATE	APPROVED
B	RoHS Compliancy	06-01-06	DP
C	Updated Specifications	09-18-08	LY



NOTES:

1. RATING: 10A 125VAC
2. CORDAGE: SPT-1, 18/2, 105°C, 300V
3. CORD LENGTH: 24 INCHES
4. TERMINATION: BLUNT CUT
5. APPROVALS: UL, cUL
6. RoHS COMPLIANT

CONTROLLED

Dim range (mm)	Tolerance +/- (mm)	Qualtek Electronics Corp. FAN-S DIVISION		
		Part Number: 07190-24	RoHS Compliant	
0-1	0.15	Description: MOLDED FAN CORD FEMALE 90°		
1-6	0.20		UNIT: mm	REV: C
6-18	0.30			
18-50	0.50	Drawn / Date	Checked / Date	Approved / Date
50-120	0.70	B.ZHANG 10-18-02	10-18-02	JJH / 10-18-02
120-250	0.90			
250-500	1.20			