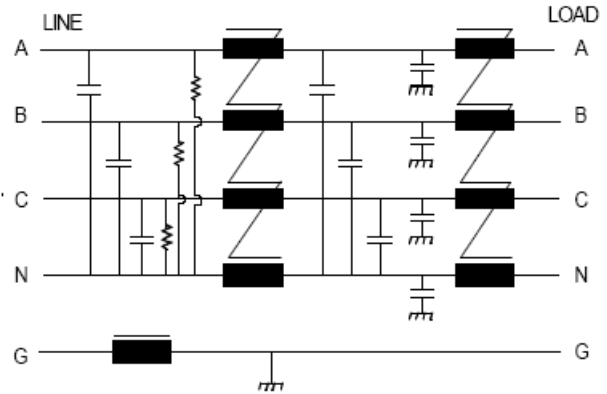


JMK, Inc

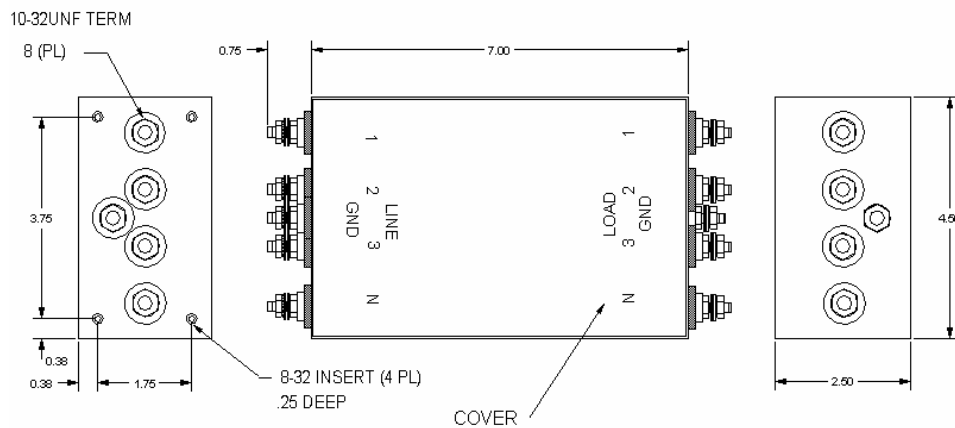
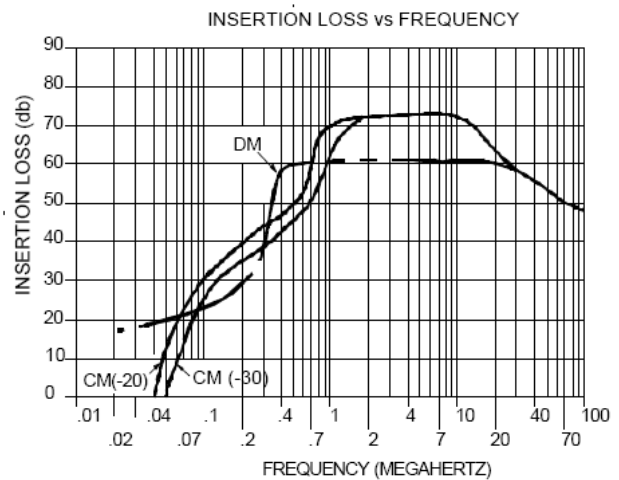
KK-902-30

The KK-0902-30 filter is a three phase filter designed to operate with computers, motors, power distribution systems or any system using three phase power.

This filter is designed to be used on 3 phase wye power systems but can be used in a delta configuration by not connecting to the neutral (N) terminal of the filter. The ground coil is designed to eliminate ground loops caused by inter-system connections. This filter is the same as our KK-0902-30B series with the height of the "B" configuration reduced to 1.5 inches and a convenient bracket mounting incorporated.



Operating Voltage = 240/480 V~
 Operating Current = 20 A, 30 A / Phase
 Operating Frequency = 50 / 60 Hz
 Temperature Range = -20 TO 50 Deg. C
 Diel. Withstand (L-CASE) = 1500 V~ FOR 1 MIN.
 Diel. Withstand (L-L) = 1500 Vdc For 1 Min.
 Leakage Current = 1.8 ma @ 240 V~, 50 Hz
 Discharge Volt after 1.0 second = 34 V Max.
 Agency approvals = CSA (Canada & US)
 Order P/N: KK-0902-30 - 30 Amp



USA JMK Inc 15 Caldwell Dr. Amherst, NH 03031 PH: 603 886-4100 FX: 603 886-4115
 email: info@jmkfilters.com
 EUR JMK Ltd Glasgow G13 1DN Scotland UK PH: 44- 07785310729 FX: 44-(0) 141 589 1884