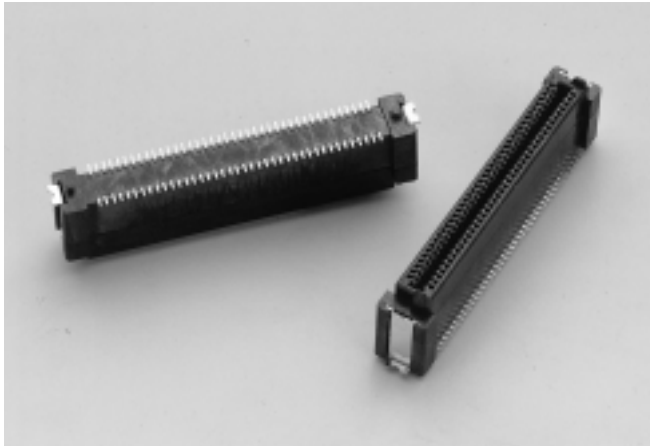


# 0.8 mm PITCH SURFACE MOUNT RECEPTACLE TYPE (PLASTIC HEIGHT:7.4mm)

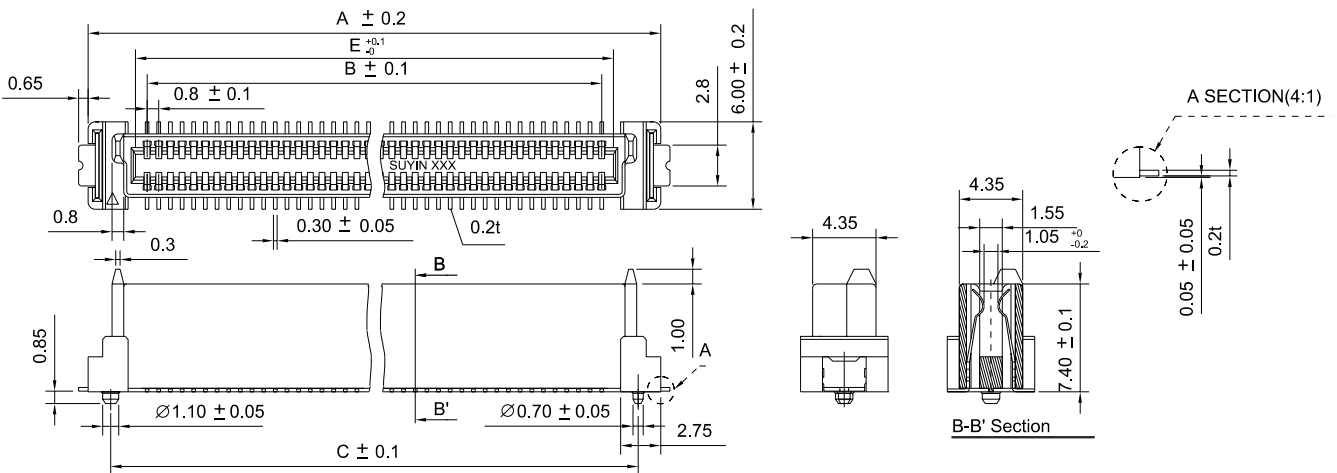


## 800140FA Series

Mates with SUYIN 80015 □ FA Series

### Specifications:

- 10~200 Circuits
- Insulator Material : Black High Temp. Plastic
- Max Processing Temp : 230°C for 30 Seconds
- Terminal Material : Phosphor Bronze
- Plating : Selective Plated (Gold/Tin)  
Latch - Tin Plated
- Max. Current Rating : 0.5 A
- Voltage Rating : 100V AC
- Dielectric Strength : 500V (Min. 60 seconds)



## Order Information

800140FA □ □ □ □ □ 00Z □  
 1 2 3 4 5

1. 'A' : Straight SMT Type
2. No. of Pins
3. Plating
4. Color 'Z' : Black
5. Package
  - 'U' : Tube Package Without CAP
  - 'R' : Reel Package With CAP
  - 'T' : Tube Package With CAP

Reference Page 11

## Dimensional Information

SUYIN P/NO.	DIM.A	DIM.B	DIM.C	DIM.D	DIM.E
800140FA010 □ □ □ 00Z □	11.3	3.2	8.2	8.8	4.8
800140FA020 □ □ □ 00Z □	15.3	7.2	12.2	12.8	8.8
800140FA030 □ □ □ 00Z □	19.3	11.2	16.2	16.8	12.8
800140FA040 □ □ □ 00Z □	23.3	15.2	20.2	20.8	16.8
800140FA060 □ □ □ 00Z □	31.3	23.2	28.2	28.8	24.8
800140FA070 □ □ □ 00Z □	35.3	27.2	32.2	32.8	28.8
800140FA080 □ □ □ 00Z □	39.3	31.2	36.2	36.8	32.8
800140FA100 □ □ □ 00Z □	47.3	39.2	44.2	44.8	40.8
800140FA120 □ □ □ 00Z □	55.3	47.2	52.2	52.8	48.8
800140FA140 □ □ □ 00Z □	63.3	55.2	60.2	60.8	56.8
800140FA160 □ □ □ 00Z □	71.3	63.2	68.2	68.8	64.8
800140FA180 □ □ □ 00Z □	79.3	71.2	76.2	76.8	72.8
800140FA200 □ □ □ 00Z □	87.3	79.2	84.2	84.8	80.8

## Recommended P.C.B. Layout

