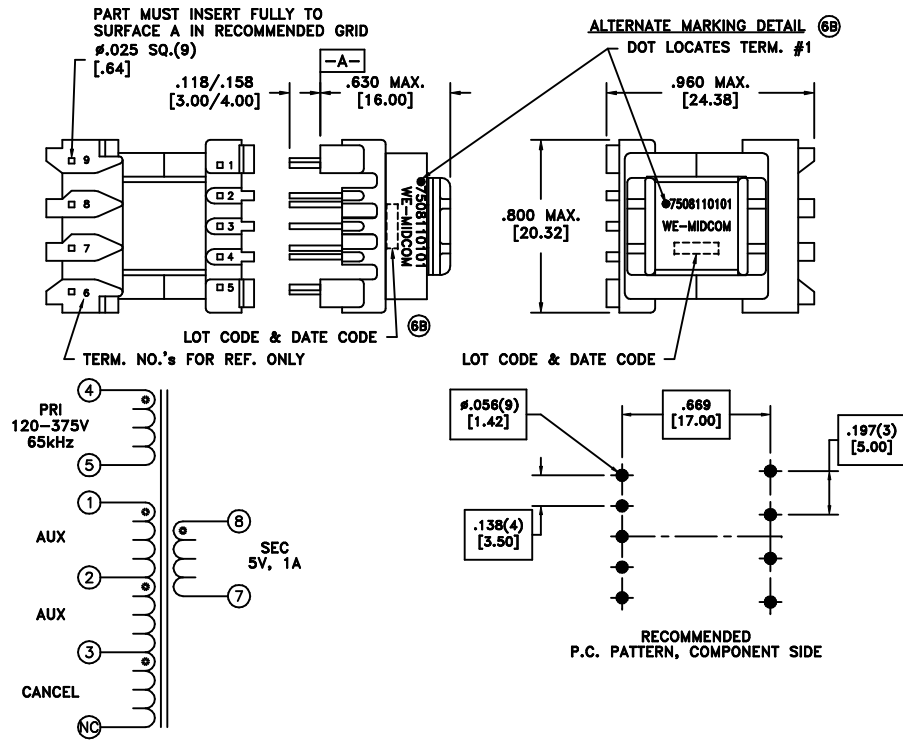


CUSTOMER TERMINAL	RoHS	LEAD(Pb)-FREE
Sn96%, Ag4%	Yes	Yes

more than you expect



ELECTRICAL SPECIFICATIONS @ 25°C unless otherwise noted:

PARAMETER	TEST CONDITIONS	VALUE
D.C. RESISTANCE	1-2 @20°C	0.118 ohms ±10%
D.C. RESISTANCE	2-3 @20°C	0.118 ohms ±10%
D.C. RESISTANCE	4-5 @20°C	2.05 ohms ±10%
D.C. RESISTANCE	7-8 @20°C	0.015 ohms ±20%
INDUCTANCE	4-5 10kHz, 100mVAC, Ls	1.07mH ±10%
SATURATION CURRENT	20% rolloff from initial	700mA
LEAKAGE INDUCTANCE	4-5 tie(1+2+3, 7+8), 100kHz, 100mVAC, Ls	25uH typ., 35uH max.
DIELECTRIC RATING	2-8 4500VAC, 1 second	4500VAC, 1 minute
DIELECTRIC RATING	5-8 4500VAC, 1 second	4500VAC, 1 minute
DIELECTRIC RATING	2-5 625VAC, 1 second	500VAC, 1 minute
TURNS RATIO	(4-5):(8-7)	15:1, ±1%
TURNS RATIO	(4-5):(1-2)	17.5:1, ±1%
TURNS RATIO	(4-5):(2-3)	17.5:1, ±1%

GENERAL SPECIFICATIONS:

OPERATING TEMPERATURE RANGE: -40°C to +125°C including temp rise.

Designed to comply with the following requirements as defined by IEC61558-2-17:
 - Reinforced insulation for a primary circuit at a working voltage of 400VDC.

REV.	DATE	Packaging Specifications Method: Tray 6B PKG-0735 www.we-online.com/midcom		Tolerances unless otherwise specified: Angles: ±1° Decimals: ±.005 [.13] Fractions: ±1/64 Footprint: ±.001 [.03]	DRAWING TITLE TRANSFORMER	PART NO. 7508110101
6B	8/11		CONVENTION PLACEMENT	This drawing is dual dimensioned. Dimensions in brackets are in millimeters.	eiSos p/n: 7508110101	compliant RoHS
6A	3/09	SEE REVISION SHEET FOR REVISION LEVEL	REVISION LEVEL			SPECIFICATION SHEET 1 OF 1