

MATERIAL AND FINISH:

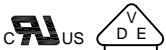
Insulator: Glass filled Thermoplastic, color black, UL-94V-0

Contacts: Bronze, Nickel plated

ELECTRICAL SPECIFICATIONS:

Rated current: 2.5A

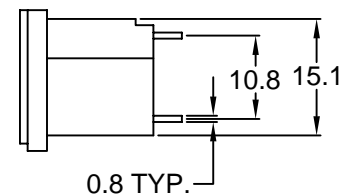
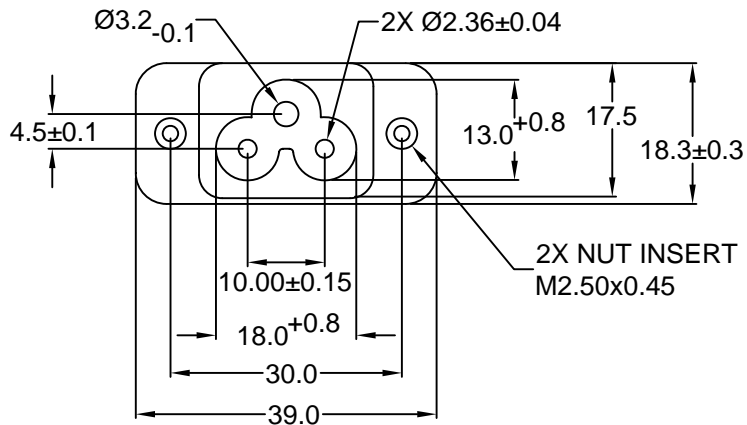
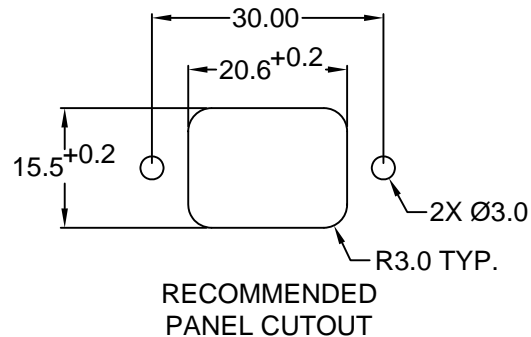
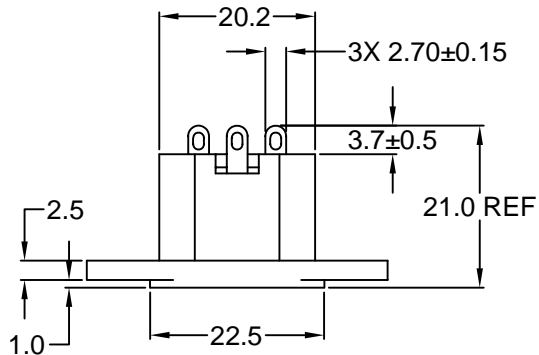
Rated voltage: 250VAC



Insulation resistance: 100 Mohm min. @ 500VDC

Dielectric withstanding voltage: 2000VAC for one minute

**RoHS
COMPLIANT**



REV	DATE	CHANGE	CHNG		CHK		APPR	
			TD	SS	TD	SS	PB	PB
A	5/9/00	REVID TOL PER IEC 60320						
B	11/09/01	REVISED / UPDATED						

TOLERANCE UNLESS OTHERWISE SPECIFIED	
X	± 1
X.X	± 0.4
X.XX	± 0.20
DRAWN BY	SS
DATE:	03/02/00
CHECK BY	PB
DATE:	3/2/00
APPR BY	TD
DATE:	3/2/00

Power Dynamics, Inc.
 Phone: 973 560-0019 Whippany, New Jersey Fax: 973 560-0076

PART: MNIATURE IEC 60320 C6 APPL. INLET; FLUSH
 FLANGE MOUNT, SOLDER TERMINALS

42R51-5131

SCALE: A NTS

ALL DIMENSIONS FOR REFERENCE ONLY
 DIMENSIONS ARE IN MILLIMETERS

SHEET 1 of 1
 REV: B

D

C

B

A