



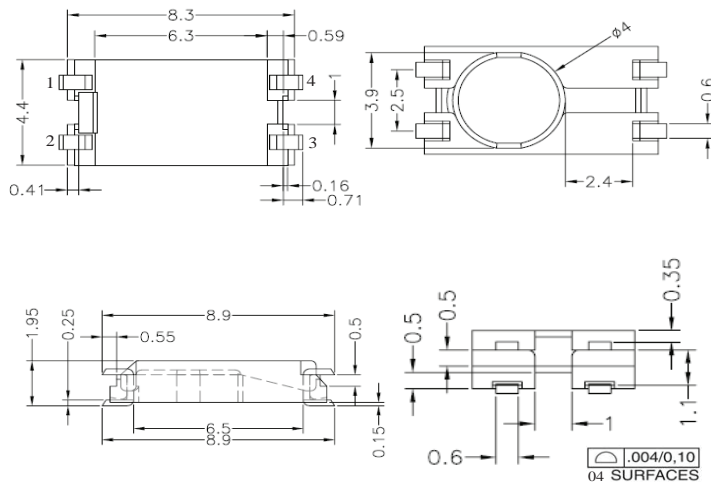
- 4 Pin SMD Toroidal Transformer
- Low Profile
- For Modem and Telecom applications
- Other configurations available
- Designed to meet EN60950 Supplementary insulation requirements for working voltages up to 250Vrms
- Operating Temperature range: 0°C to +70°C
- Maximum reflow temperature: 250°C/-5°C for 20-40 seconds
(Refer to IPC/JEDEC J-STD-02C Standard)

| Electrical Specifications @25°C | | | |
|---------------------------------|-------------------------------------|---|------------------------|
| Part Number | Turn Ratio @10KHz ,0.1V (4-3):(1-2) | Inductance LP @ 10KHz , 0.1V (1-2) | DCR @10KHz ,0.1V (1-2) |
| SMT-3745 | 1.67:1±2% | 30uH min | 0.35 Ω max |
| Part Number | DCR @10KHz ,0.1V (4-3) | HI-POT 1sec/1mA (1-4) , (1+2 , 4+3 short) | |
| SMT-3745 | 0.35 Ω max | 3750Vac | |

All specifications subject to change without notice.

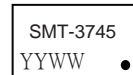
MECHANICAL

Dimension



Unit :mm/±0.25

Marking



Remark:
 XXXXXX=PART NUMBER (7 characters max.)
 YYWW=DATE CODE. YY=YEAR;
 WW=WEEK

SCHEMATICS

