


**TECHNICAL DATA SHEET**
**PE6012**
**Shorting BNC Male Dust Cap**
**Configuration**

|              |                   |
|--------------|-------------------|
| Connector    | BNC Male Shorting |
| Chain Option | No Chain          |

**Mechanical Specifications**
**Temperature**

|                        |             |
|------------------------|-------------|
| Operating Range, deg C | -65 to +165 |
|------------------------|-------------|

**Size**

|                 |              |
|-----------------|--------------|
| Length, in [mm] | 0.614 [15.6] |
| Width, in [mm]  | 0.571 [15]   |

**Connector**

|                               |                   |
|-------------------------------|-------------------|
| Type                          | BNC Male Shorting |
| Contact Material and Plating  | Brass, Gold       |
| Contact Plating Specification | 30µ In. Minimum   |
| Body Material and Plating     | Brass, Nickel     |
| Body Plating Specification    | 100µ In. Minimum  |
| Dielectric Type               | Teflon            |

**Compliance Certifications** (visit [www.Pasternack.com](http://www.Pasternack.com) for current document)

|                |     |
|----------------|-----|
| RoHS Compliant | Yes |
|----------------|-----|

**Plotted and Other Data**

|        |                            |
|--------|----------------------------|
| Notes: | Values at 25 °C, sea level |
|--------|----------------------------|

Shorting BNC Male Dust Cap from Pasternack Enterprises has same day shipment for domestic and International orders. Our RF, microwave and fiber optic products maintain a 99% availability and are part of the broadest selection in the industry.

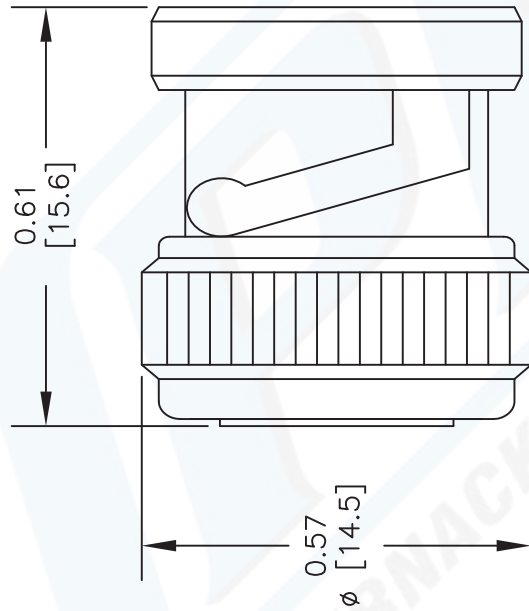
Click the following link (or enter part number in "SEARCH" on website) to obtain additional part information including price, inventory and certifications: [Shorting BNC Male Dust Cap PE6012](#)

URL: <http://www.pasternack.com/50-ohm-bnc-male-short-cap-pe6012-p.aspx>

The information contained in this document is accurate to the best of our knowledge and representative of the part described herein. It may be necessary to make modifications to the part and/or the documentation of the part, in order to implement improvements. Pasternack reserves the right to make such changes as required. Unless otherwise stated, all specifications are nominal.

# PE6012 CAD Drawing

## Shorting BNC Male Dust Cap



DWG TITLE

**PE6012**

NOTES:  
 1. UNLESS OTHERWISE SPECIFIED ALL DIMENSIONS ARE NOMINAL.  
 2. ALL SPECIFICATIONS ARE SUBJECT TO CHANGE WITHOUT NOTICE AT ANY TIME.  
 3. DIMENSIONS ARE IN INCHES [mm].

REV. A

FSCM NO. 53919

CAD FILE 072612

SCALE N/A

SIZE A

2231



**PASTERNAK®**

Pasternack Enterprises, Inc.  
 P.O. Box 16759 | Irvine | CA | 92623  
**Phone:** (949) 261-1920 | **Fax:** (949) 261-7451  
**Website:** [www.pasternack.com](http://www.pasternack.com) | **E-Mail:** [sales@pasternack.com](mailto:sales@pasternack.com)