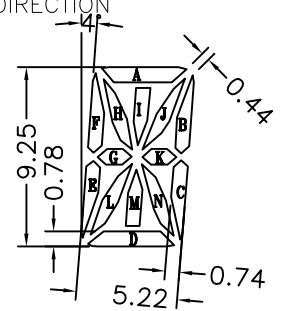


Specification:

- 1). Driving: Duty: 1/8, Bias:1/4, VLCD:3.0V, VDD:3.0V
- 2). Viewing angle: 6 O'clock
- 3). Display mode: TN/Positive/Transflective/Grey
- 4). Operating temp.: -40°C~+80°C
Storage temp.: -40°C~+80°C
- 5). IC: HT16220
- 6). Backlight: side Amber 4.0V 120mA
- 7). Dimensions with mark "*" are important, with mark "(") are referenced



PIN	1	2	3	4	5	6	7	8	9	10
CONNECTION	VSS	VDD	VLCD	RD	DIO	CS	/IR	WR	BZ	/BZ
PIN	11	12	13	14						
CONNECTION	P	N	LEDA	LEDK						

TOLERANCE	
>0~6	±0.10
>6~80	±0.20
>80~240	±0.30
>240~400	±0.50
// ⊥ ⊙	±0.10

HTDISPLAY
HTDISPLAY CO., LTD.

DESIGN	LI JINTANG	06.03.07	STANDARD		
CHECKED			TECHNOLOGY		
APPROVED			Q. A		

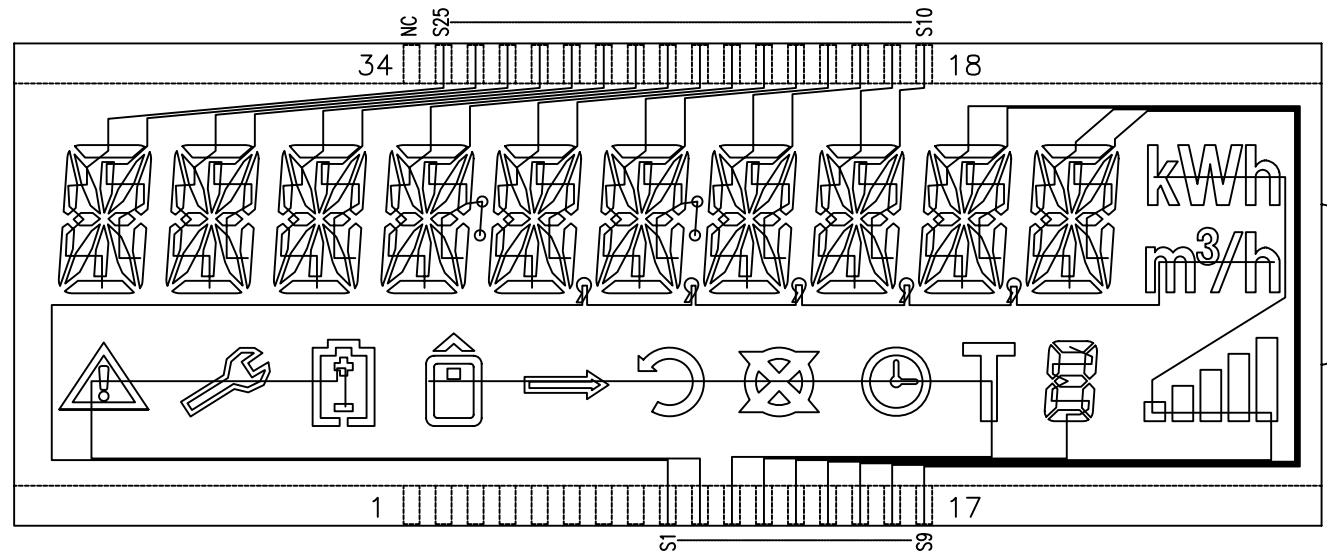
DRAWING No. : HS0017C-NF64L-VA	
DRAWING TITLE: LCM MODULE	
REV. : A	SCALE : -
PROJECTION:	UNIT : MM
	1/3

1 2 3 4 5 6 7 8

A

B

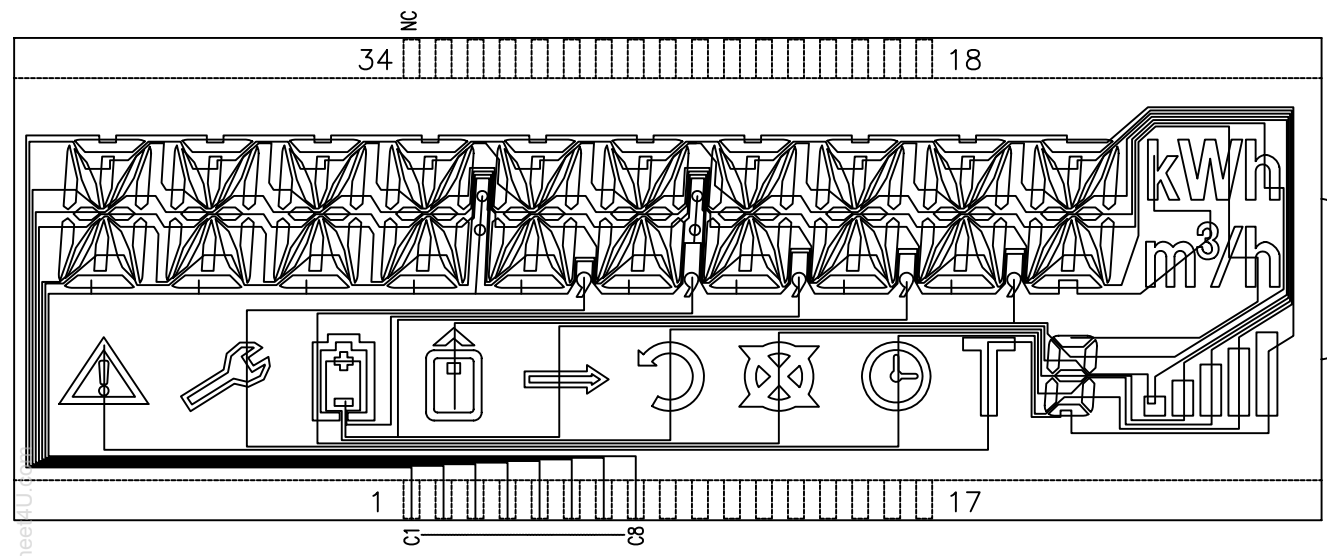
C



SEGMENT

D

E



COMMON

www.DataSheet4U.com

www.DataSheet4U.com

F

F

TOLERANCE	
>0~6	±0.10
>6~80	±0.20
>80~240	±0.30
>240~400	±0.50
// ⊥ ⊙	±0.10



HTDISPLAY CO., LTD.

DESIGN	LI JINTANG	06.03.07	STANDARD		
CHECKED			TECHNOLOGY		
APPROVED			Q. A		

DRAWING No. : HS0017C-NF64L-VA	
DRAWING TITLE: LCM MODULE	
REV. : A	SCALE : -
PROJECTION:	UNIT : MM
	2/3

1 2 3 4 5 6 7 8

1 2 3 4 5 6 7 8

A

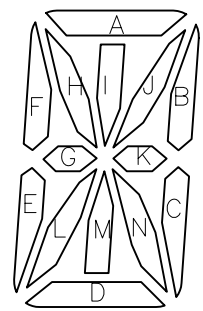
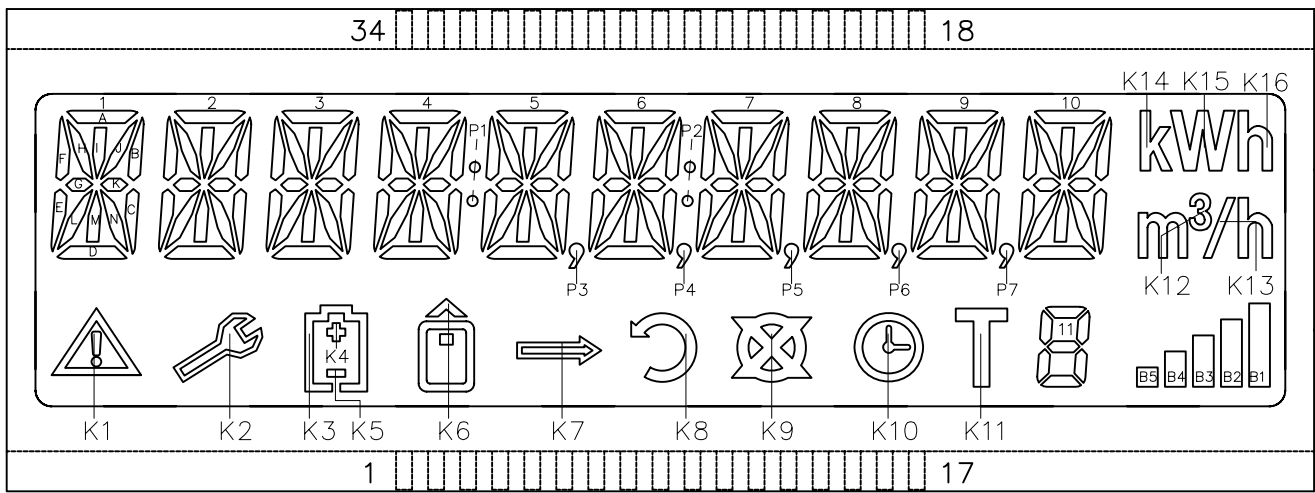
B

C

D

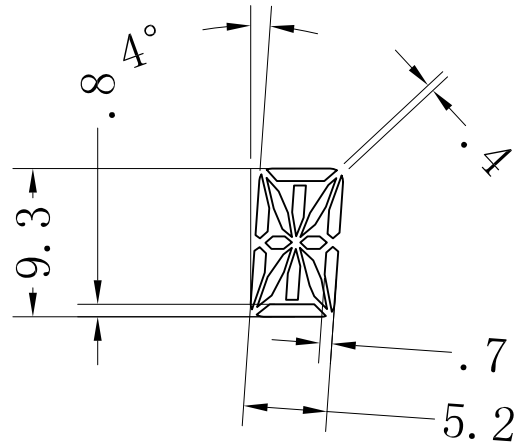
E

F



	C1	C2	C3	C4	C5	C6	C7	C8	S1	S2	S3	S4	S5	S6	S7	S8	S9
COM1	COM1									K1	K11	11D	B1	10A	10A	16	17
COM2		COM2							P3	K2	K10	11C	B2	10I	10H	9I	9H
COM3			COM3						P4	K3	K9	11E	B3	10J	10F	9J	9F
COM4				COM4					P5	K4	K8	11G	B4	10B	10G	9B	9G
COM5					COM5				P6	K5	K7	11F	B5	10K	10E	9K	9E
COM6						COM6			P7		K6	11B	K16	10C	10L	9C	9L
COM7							COM7			K13		11A	K15	10N	10M	9N	9M
COM8								COM8	K12					K14	10D		9D

	S10	S11	S12	S13	S14	S15	S16	S17	S18	S19	S20	S21	S12	S22	S23	S24	NC
	18	19	20	21	22	23	24	25	26	27	28	29	30	31	32	33	34
COM1		8A		7A		6A		5A		4A		3A		2A		1A	
COM2	8I	8H	7I	7H	6I	6H	5I	5H	4I	4H	3I	3H	2I	2H	1I	1H	
COM3	8J	8F	7J	7F	6J	6F	5J	5F	4J	4F	3J	3F	2J	2F	1J	1F	
COM4	8B	8G	7B	7G	6B	6G	5B	5G	4B	4G	3B	3G	2B	2G	1B	1G	
COM5	8K	8E	7K	7E	6K	6E	5K	5E	4K	4E	3K	3E	2K	2E	1K	1E	
COM6	8C	8L	7C	7L	6C	6L	5C	5L	4C	4L	3C	3L	2C	2L	1C	1L	
COM7	8N	8M	7N	7M	6N	6M	5N	5M	4N	4M	3N	3M	2N	2M	1N	1M	
COM8		8D		7D		P2	6D		5D		P1	4D		3D		2D	1D



www.DataSheet4U.com

www.DataSheet4U.com

F

1 2 3 4 5 6 7 8

TOLERANCE		HTDISPLAY CO., LTD.				DRAWING No. : HS0017C-NF64L-VA	
>0~6	±0.10					DRAWING TITLE: LCM MODULE	
>6~80	±0.20	DESIGN	LI JINTANG	06.03.07	STANDARD	REV. : A	SCALE : -
>80~240	±0.30	CHECKED			TECHNOLOGY	PROJECTION:	UNIT : MM
>240~400	±0.50	APPROVED			Q. A		3/3
// ⊥ ⊙ ±0.10							