

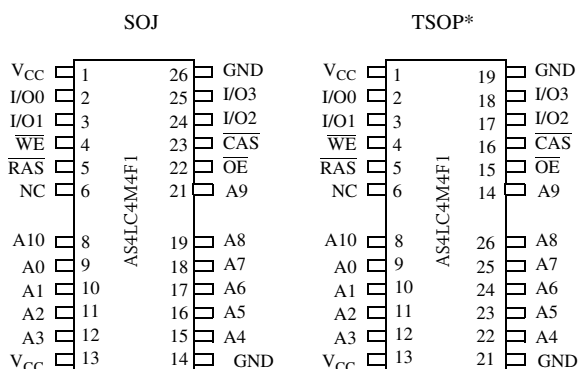


4M×4 CMOS DRAM (Fast Page) 3.3V Family

Features

- Organization: 4,194,304 words × 4 bits
- High speed
 - 50/60 ns $\overline{\text{RAS}}$ access time
 - 25/30 ns column address access time
 - 12/15 ns $\overline{\text{CAS}}$ access time
- Low power consumption
 - Active: 500 mW max
 - Standby: 3.6 mW max, CMOS I/O
- Fast page mode
- Refresh
 - 2048 refresh cycles, 32 ms refresh interval
 - $\overline{\text{RAS}}$ -only or $\overline{\text{CAS}}$ -before- $\overline{\text{RAS}}$ refresh or self-refresh
- TTL-compatible, three-state I/O
- JEDEC standard package
 - 300 mil, 24/26-pin SOJ
- 3.3V power supply
- Latch-up current ≥ 200 mA
- ESD protection ≥ 2000 volts
- Industrial and commercial temperature available

Pin arrangement



*TSOP availability to be determined

Pin designation

Pin(s)	Description
A0 to A10	Address inputs
$\overline{\text{RAS}}$	Row address strobe
$\overline{\text{CAS}}$	Column address strobe
$\overline{\text{WE}}$	Write enable
I/O0 to I/O3	Input/output
$\overline{\text{OE}}$	Output enable
V_{CC}	Power
GND	Ground

Selection guide

	Symbol	AS4LC4M4F1-50	AS4LC4M4F1-60	Unit
Maximum $\overline{\text{RAS}}$ access time	t_{RAC}	50	60	ns
Maximum column address access time	t_{CAA}	25	30	ns
Maximum $\overline{\text{CAS}}$ access time	t_{CAC}	12	15	ns
Maximum output enable ($\overline{\text{OE}}$) access time	t_{OEA}	13	15	ns
Minimum read or write cycle time	t_{RC}	80	100	ns
Minimum fast page mode cycle time	t_{PC}	25	30	ns
Maximum operating current	I_{CC1}	120	110	mA
Maximum CMOS standby current	I_{CC5}	1.0	1.0	mA



Functional description

The AS4LC4M4F1 is a high performance 16-megabit CMOS Dynamic Random Access Memory (DRAM) device organized as 4,194,304 words \times 4 bits. The device is fabricated using advanced CMOS technology and innovative design techniques resulting in high speed, extremely low power and wide operating margins at component and system levels. The Alliance 16Mb DRAM family is optimized for use as main memory in PC, workstation, router and switch applications.

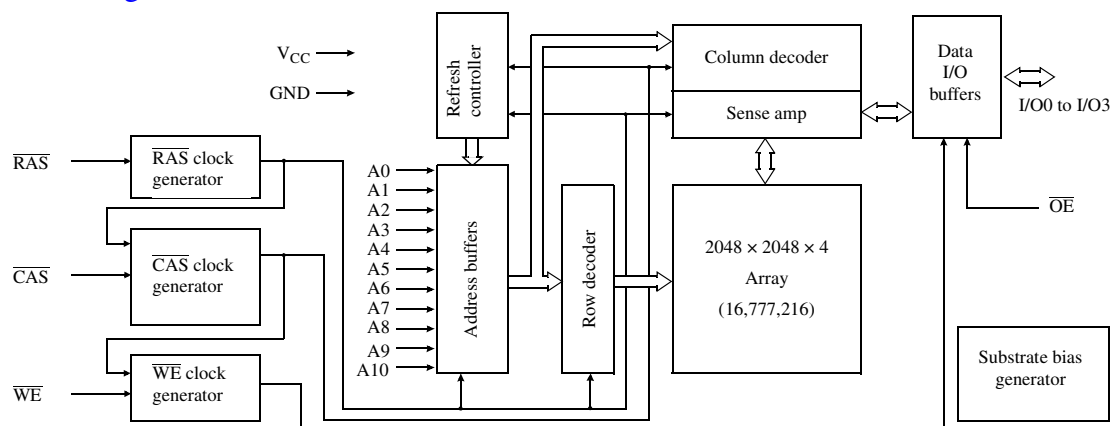
This device features a high speed page-mode operation where read and write operations within a single row (or page) can be executed at very high speed by toggling column addresses within that row. Row and column addresses are alternately latched into input buffers using the falling edge of $\overline{\text{RAS}}$ and $\overline{\text{CAS}}$ inputs respectively. Also, $\overline{\text{RAS}}$ is used to make the column address latch transparent, enabling application of column addresses prior to $\overline{\text{CAS}}$ assertion.

Refresh on the 2048 address combinations of A0 to A10 must be performed every 32 ms using:

- $\overline{\text{RAS}}$ -only refresh: $\overline{\text{RAS}}$ is asserted while $\overline{\text{CAS}}$ is held high. Each of the 2048 rows must be strobed. Outputs remain high impedance.
- Hidden refresh: $\overline{\text{CAS}}$ is held low while $\overline{\text{RAS}}$ is toggled. Refresh address is generated internally. Outputs remain low impedance with previous valid data.
- $\overline{\text{CAS}}$ -before- $\overline{\text{RAS}}$ refresh (CBR): $\overline{\text{CAS}}$ is asserted prior to $\overline{\text{RAS}}$. Refresh address is generated internally. Outputs are high-impedance ($\overline{\text{OE}}$ and $\overline{\text{WE}}$ are don't care).
- Normal read or write cycles refresh the row being accessed.
- Self-refresh cycles

The AS4LC4M4F1 is available in the standard 24/26-pin plastic SOJ. TSOP 24/26-pin availability is to be determined. The AS4LC4M4F1 operates with a single power supply of $3.3\text{V} \pm 0.3\text{V}$ and provides TTL compatible inputs and outputs.

Logic block diagram for 2K refresh



Recommended operating conditions

Parameter		Symbol	Min	Nominal	Max	Unit
Supply voltage		V_{CC}	3.0	3.3	3.6	V
		GND	0.0	0.0	0.0	V
Input voltage		V_{IH}	2.0	—	$V_{CC}+0.5\text{V}$	V
		V_{IL}	-0.5^\dagger	—	0.8	V
Ambient operating temperature	Commercial	T_A	0	—	70	°C
	Industrial		-40	—	85	

$^\dagger V_{IL}$ min -3.0V for pulse widths less than 5 ns. Recommended operating conditions apply throughout this document unless otherwise specified.



Absolute maximum ratings

Parameter	Symbol	Min	Max	Unit
Input voltage	V_{in}	-1.0	4.6	V
Input voltage (DQs)	V_{DQ}	-1.0	4.6	V
Power supply voltage	V_{CC}	-1.0	4.6	V
Storage temperature (plastic)	T_{STG}	-55	150	°C
Soldering temperature × time	T_{SOLDER}	–	260 × 10	°C × sec
Power dissipation	P_D	–	0.432	W
Short circuit output current	I_{out}	–	50	mA

DC electrical characteristics

Parameter	Symbol	Test conditions	-50		-60		Unit	Notes
			Min	Max	Min	Max		
Input leakage current	I_{IL}	$0V \leq V_{in} \leq +V_{CC(max)}$ Pins not under test = 0V	-5	+5	-5	+5	μA	
Output leakage current	I_{OL}	D_{OUT} disabled, $0V \leq V_{out} \leq +V_{CC(max)}$	-5	+5	-5	+5	μA	
Operating power supply current	I_{CC1}	\overline{CAS} , Address cycling; $t_{RC} = \min$	–	120	–	110	mA	1,2
TTL standby power supply current	I_{CC2}	$\overline{RAS} = \overline{CAS} \geq V_{IH}$	–	2.0	–	2.0	mA	
Average power supply current, \overline{RAS} refresh mode or CBR	I_{CC3}	\overline{RAS} cycling, $\overline{CAS} \geq V_{IH}$, $t_{RC} = \min$ of \overline{RAS} low after \overline{CAS} low.	–	120	–	110	mA	1
Fast page mode average power supply current	I_{CC4}	$\overline{RAS} = V_{IL}$, \overline{CAS} , address cycling: $t_{HPC} = \min$	–	90	–	80	mA	1, 2
CMOS standby power supply current	I_{CC5}	$\overline{RAS} = \overline{CAS} = V_{CC} - 0.2V$	–	2.0	–	2.0	mA	
Output voltage	V_{OH}	$I_{OUT} = -2.0$ mA	2.4	–	2.4	–	V	
	V_{OL}	$I_{OUT} = 2.0$ mA	–	0.4	–	0.4	V	
\overline{CAS} before \overline{RAS} refresh current	I_{CC6}	\overline{RAS} , \overline{CAS} cycling, $t_{RC} = \min$	–	120	–	110	mA	
Self refresh current	I_{CC7}	$\overline{RAS} = \overline{CAS} \leq 0.2v$, $\overline{WE} - \overline{OE} \geq V_{CC} - 0.2V$, all other inputs at 0.2V or $V_{CC} - 0.2V$	–	0.6	–	0.6	mA	



AC parameters common to all waveforms

Symbol	Parameter	-50		-60		Unit	Notes
		Min	Max	Min	Max		
t_{RC}	Random read or write cycle time	80	–	100	–	ns	
t_{RP}	\overline{RAS} precharge time	30	–	40	–	ns	
t_{RAS}	\overline{RAS} pulse width	50	10K	60	10K	ns	
t_{CAS}	\overline{CAS} pulse width	8	10K	10	10K	ns	
t_{RCD}	\overline{RAS} to \overline{CAS} delay time	15	35	15	43	ns	6
t_{RAD}	\overline{RAS} to column address delay time	12	25	12	30	ns	7
t_{RSH}	\overline{CAS} to \overline{RAS} hold time	10	–	10	–	ns	
t_{CSH}	\overline{RAS} to \overline{CAS} hold time	40	–	50	–	ns	
t_{CRP}	\overline{CAS} to \overline{RAS} precharge time	5	–	5	–	ns	
t_{ASR}	Row address setup time	0	–	0	–	ns	
t_{RAH}	Row address hold time	8	–	10	–	ns	
t_T	Transition time (rise and fall)	1	50	1	50	ns	4,5
t_{REF}	Refresh period	–	64	–	64	ms	3
t_{CP}	\overline{CAS} precharge time	8	–	10	–	ns	
t_{RAL}	Column address to \overline{RAS} lead time	25	–	30	–	ns	
t_{ASC}	Column address setup time	0	–	0	–	ns	
t_{CAH}	Column address hold time	8	–	10	–	ns	

Read cycle

Symbol	Parameter	-50		-60		Unit	Notes
		Min	Max	Min	Max		
t_{RAC}	Access time from \overline{RAS}	–	50	–	60	ns	6
t_{CAC}	Access time from \overline{CAS}	–	12	–	15	ns	6,13
t_{AA}	Access time from address	–	25	–	30	ns	7,13
t_{RCS}	Read command setup time	0	–	0	–	ns	
t_{RCH}	Read command hold time to \overline{CAS}	0	–	0	–	ns	9
t_{RRH}	Read command hold time to \overline{RAS}	0	–	0	–	ns	9



Write cycle

Symbol	Parameter	-50		-60		Unit	Notes
		Min	Max	Min	Max		
t_{WCS}	Write command setup time	0	–	0	–	ns	11
t_{WCH}	Write command hold time	10	–	10	–	ns	11
t_{WP}	Write command pulse width	10	–	10	–	ns	
t_{RWL}	Write command to \overline{RAS} lead time	10	–	10	–	ns	
t_{CWL}	Write command to \overline{CAS} lead time	8	–	10	–	ns	
t_{DS}	Data-in setup time	0	–	0	–	ns	12
t_{DH}	Data-in hold time	8	–	10	–	ns	12

Read-modify-write cycle

Symbol	Parameter	-50		-60		Unit	Notes
		Min	Max	Min	Max		
t_{RWC}	Read-write cycle time	113	–	135	–	ns	
t_{RWD}	\overline{RAS} to \overline{WE} delay time	67	–	77	–	ns	11
t_{CWD}	\overline{CAS} to \overline{WE} delay time	32	–	35	–	ns	11
t_{AWD}	Column address to \overline{WE} delay time	42	–	47	–	ns	11

Refresh cycle

Symbol	Parameter	-50		-60		Unit	Notes
		Min	Max	Min	Max		
t_{CSR}	\overline{CAS} setup time (\overline{CAS} -before- \overline{RAS})	5	–	5	–	ns	3
t_{CHR}	\overline{CAS} hold time (\overline{CAS} -before- \overline{RAS})	8	–	10	–	ns	3
t_{RPC}	\overline{RAS} precharge to \overline{CAS} hold time	0	–	0	–	ns	
t_{CPT}	\overline{CAS} precharge time (CBR counter test)	10		10	–	ns	



Fast page mode cycle

Symbol	Parameter	-50		-60		Unit	Notes
		Min	Max	Min	Max		
t_{CPA}	Access time from \overline{CAS} precharge	–	28	–	35		13
t_{RASP}	\overline{RAS} pulse width	50	100K	60	100K		
t_{PC}	Read-write cycle time	30	–	35	–		
t_{CP}	\overline{CAS} precharge time (fast page)	10	–	10	–		
t_{PCM}	Fast page mode RMW cycle	80	–	85	–		
t_{CRW}	Page mode \overline{CAS} pulse width (RMW)	12	–	15	–		

Output enable

Symbol	Parameter	-50		-60		Unit	Notes
		Min	Max	Min	Max		
t_{CLZ}	\overline{CAS} to output in Low Z	0	–	0	–	ns	8
t_{ROH}	\overline{RAS} hold time referenced to \overline{OE}	8	–	10	–	ns	
t_{OEA}	\overline{OE} access time	–	13	–	15	ns	
t_{OED}	\overline{OE} to data delay	13	–	15	–	ns	
t_{OEZ}	Output buffer turnoff delay from \overline{OE}	0	13	0	15	ns	8
t_{OEH}	\overline{OE} command hold time	10	–	10	–	ns	
t_{OLZ}	\overline{OE} to output in Low Z	0	–	0	–	ns	
t_{OFF}	Output buffer turn-off time	0	13	0	15	ns	8,10

Self-refresh cycle

Std Symbol	Parameter	-50		-60		Unit	Notes
		Min	Max	Min	Max		
t_{RASS}	\overline{RAS} pulse width (CBR self refresh)	100	–	100	–	μ s	15
t_{RPS}	\overline{RAS} precharge time (CBR self refresh)	90	–	105	–	ns	
t_{CHS}	\overline{CAS} hold time (CBR self refresh)	8	–	10	–	nx	



Notes

- 1 I_{CC1} , I_{CC3} , I_{CC4} , and I_{CC6} are dependent on frequency.
- 2 I_{CC1} and I_{CC4} depend on output loading. Specified values are obtained with the output open.
- 3 An initial pause of 200 μ s is required after power-up followed by any 8 $\overline{\text{RAS}}$ cycles before proper device operation is achieved. In the case of an internal refresh counter, a minimum of 8 $\overline{\text{CAS}}$ -before- $\overline{\text{RAS}}$ initialization cycles instead of 8 $\overline{\text{RAS}}$ cycles are required. 8 initialization cycles are required after extended periods of bias without clocks (greater than 8 ms).
- 4 AC Characteristics assume $t_T = 2$ ns. All AC parameters are measured with a load equivalent to two TTL loads and 100 pF, $V_{IL}(\text{min}) \geq \text{GND}$ and $V_{IH}(\text{max}) \leq V_{CC}$.
- 5 $V_{IH}(\text{min})$ and $V_{IL}(\text{max})$ are reference levels for measuring timing of input signals. Transition times are measured between V_{IH} and V_{IL} .
- 6 Operation within the $t_{\text{RCD}}(\text{max})$ limit insures that $t_{\text{RAC}}(\text{max})$ can be met. $t_{\text{RCD}}(\text{max})$ is specified as a reference point only. If t_{RCD} is greater than the specified $t_{\text{RCD}}(\text{max})$ limit, then access time is controlled exclusively by t_{CAC} .
- 7 Operation within the $t_{\text{RAD}}(\text{max})$ limit insures that $t_{\text{RAC}}(\text{max})$ can be met. $t_{\text{RAD}}(\text{max})$ is specified as a reference point only. If t_{RAD} is greater than the specified $t_{\text{RAD}}(\text{max})$ limit, then access time is controlled exclusively by t_{AA} .
- 8 Assumes three state test load (5 pF and a 380 Ω Thevenin equivalent).
- 9 Either t_{RCH} or t_{RRH} must be satisfied for a read cycle.
- 10 $t_{\text{OFF}}(\text{max})$ defines the time at which the output achieves the open circuit condition; it is not referenced to output voltage levels. t_{OFF} is referenced from rising edge of $\overline{\text{RAS}}$ or $\overline{\text{CAS}}$, whichever occurs last.
- 11 t_{WCS} , t_{WCH} , t_{RWD} , t_{CWD} and t_{AWD} are not restrictive operating parameters. They are included in the datasheet as electrical characteristics only. If $t_{\text{WS}} \geq t_{\text{WS}}(\text{min})$ and $t_{\text{WH}} \geq t_{\text{WH}}(\text{min})$, the cycle is an early write cycle and data out pins will remain open circuit, high impedance, throughout the cycle. If $t_{\text{RWD}} \geq t_{\text{RWD}}(\text{min})$, $t_{\text{CWD}} \geq t_{\text{CWD}}(\text{min})$ and $t_{\text{AWD}} \geq t_{\text{AWD}}(\text{min})$, the cycle is a read-write cycle and the data out will contain data read from the selected cell. If neither of the above conditions is satisfied, the condition of the data out at access time is indeterminate.
- 12 These parameters are referenced to $\overline{\text{CAS}}$ leading edge in early write cycles and to $\overline{\text{WE}}$ leading edge in read-write cycles.
- 13 Access time is determined by the longest of t_{CAA} or t_{CAC} or t_{CPA}
- 14 $t_{\text{ASC}} \geq t_{\text{CP}}$ to achieve $t_{\text{PC}}(\text{min})$ and $t_{\text{CPA}}(\text{max})$ values.
- 15 These parameters are sampled and not 100% tested.

AC test conditions

- Access times are measured with output reference levels of $V_{\text{OH}} = 2.4\text{V}$ and $V_{\text{OL}} = 0.4\text{V}$, $V_{\text{IH}} = 2.0\text{V}$ and $V_{\text{IL}} = 0.8\text{V}$
- Input rise and fall times: 2 ns

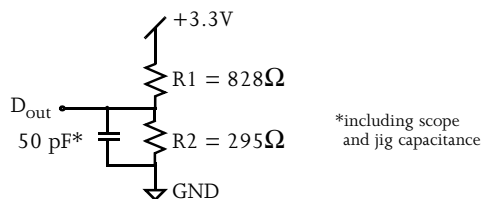


Figure A: Equivalent output load
(AS4LC4M4F1)

Key to switching waveforms



Rising input



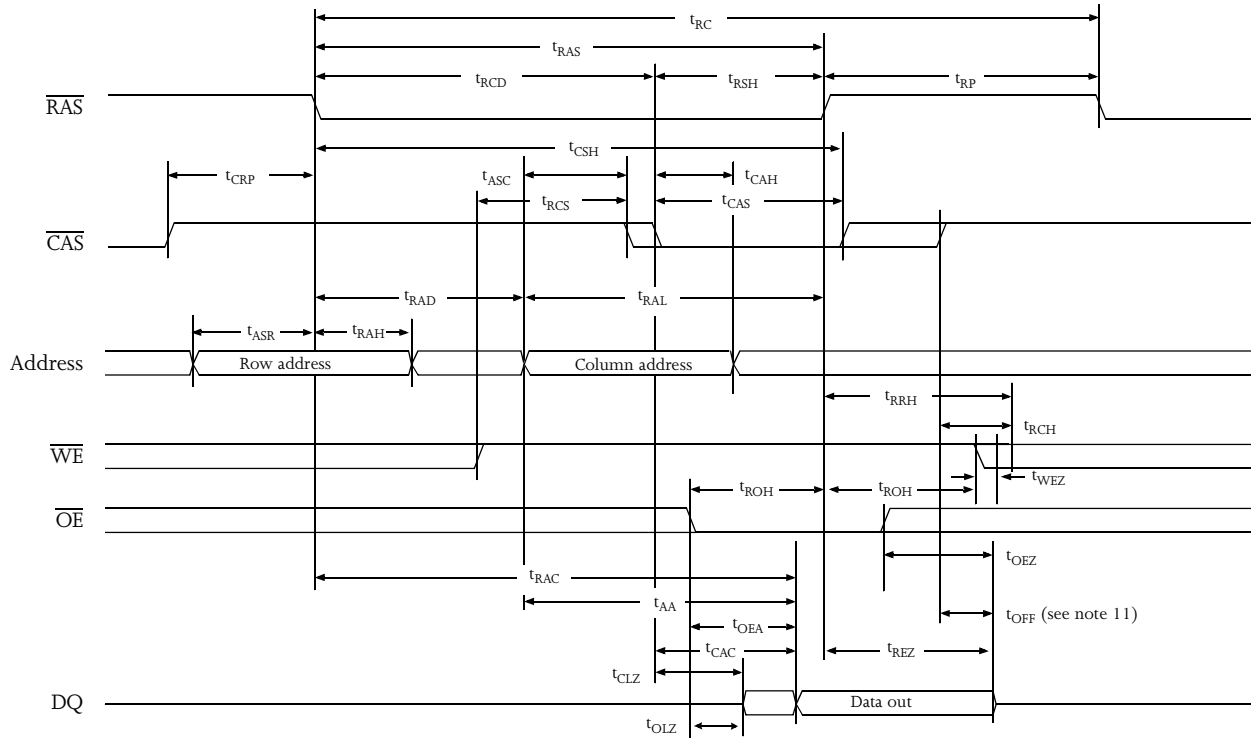
Falling input



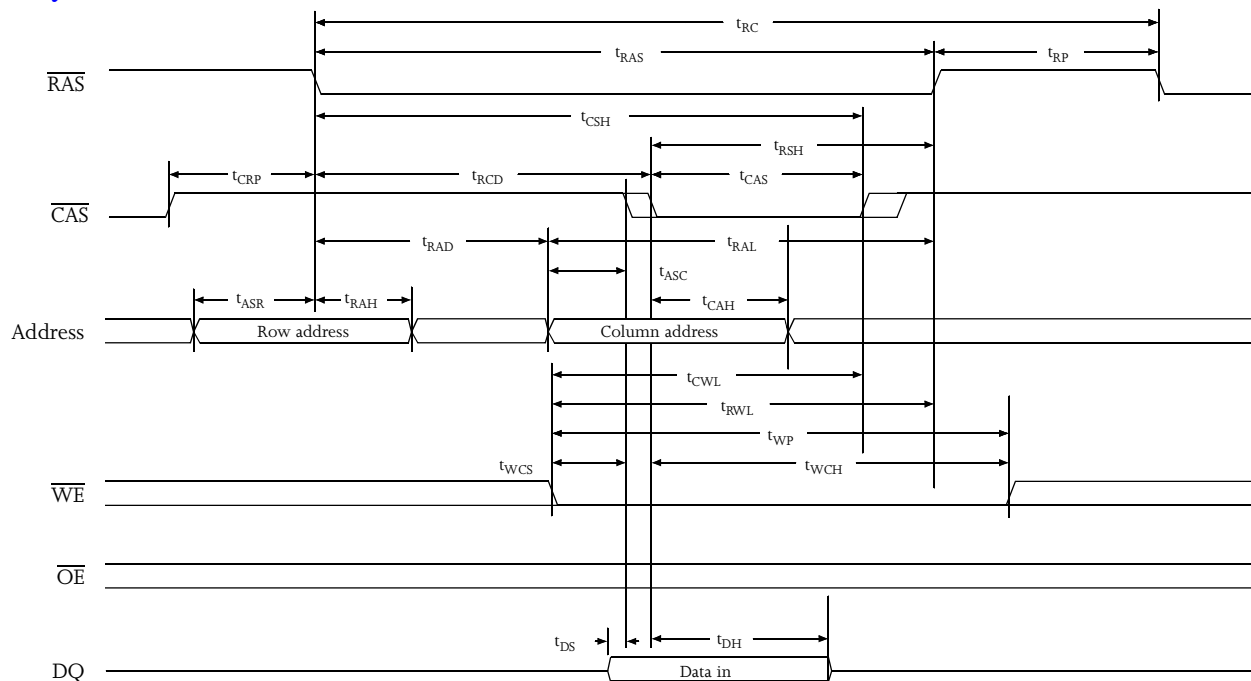
Undefined output/don't care



Read waveform



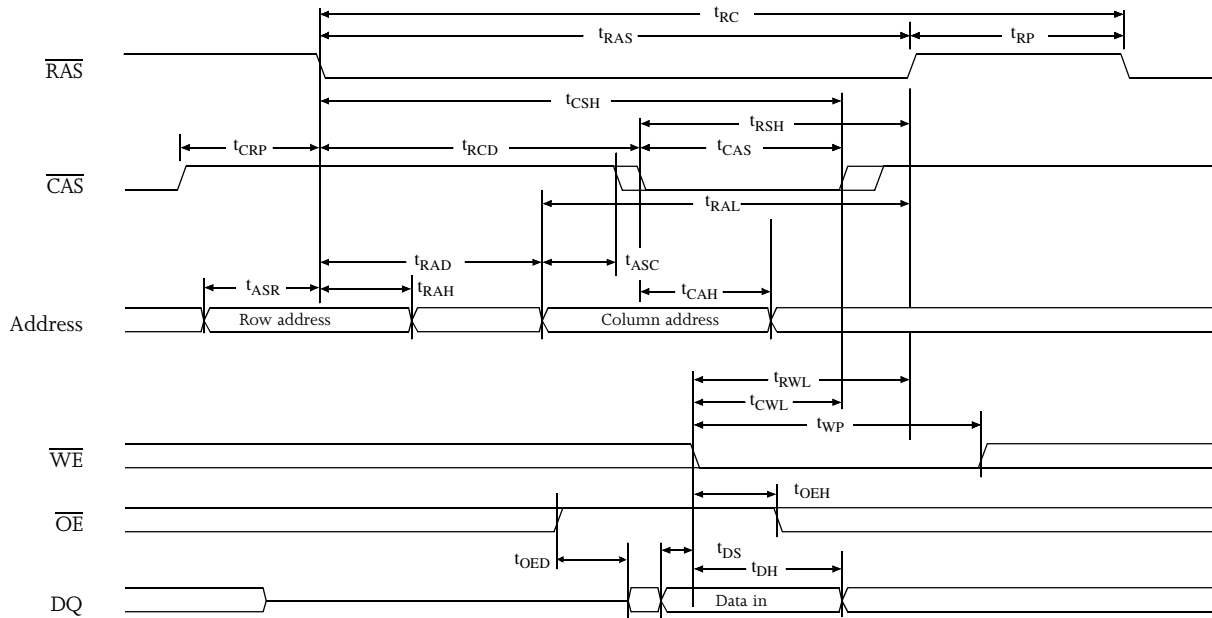
Early write waveform



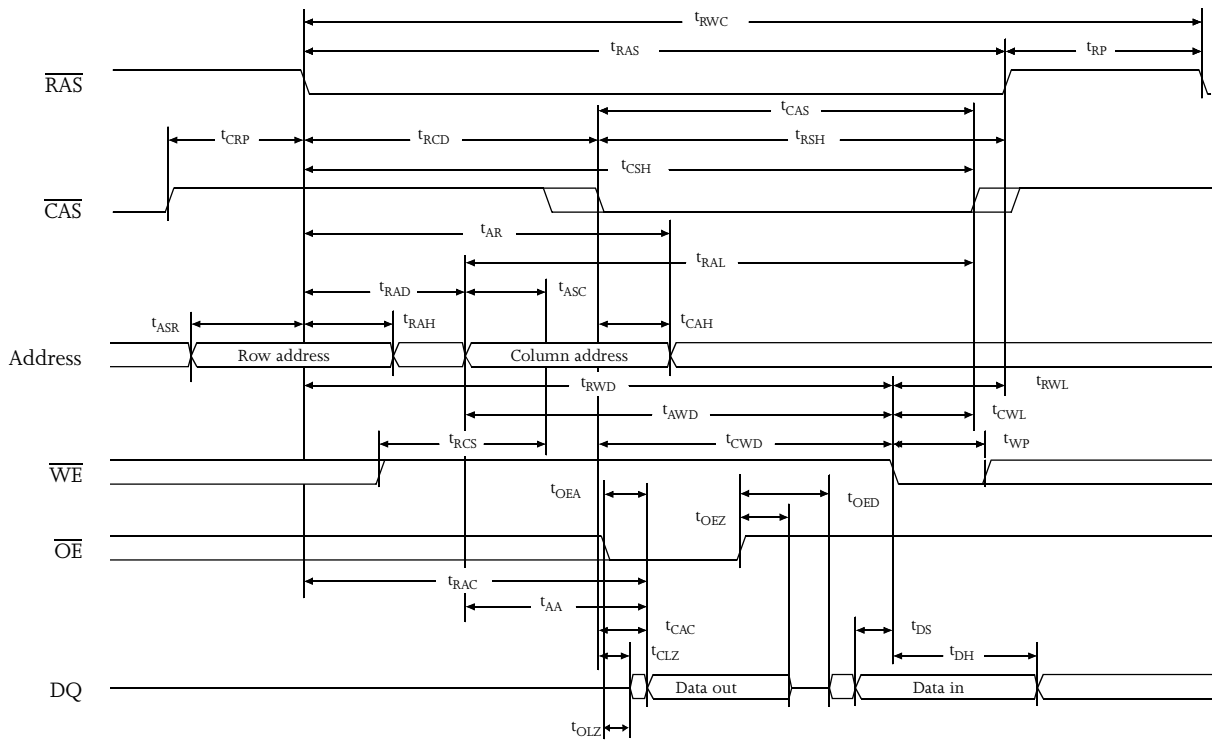


Write waveform

\overline{OE} controlled

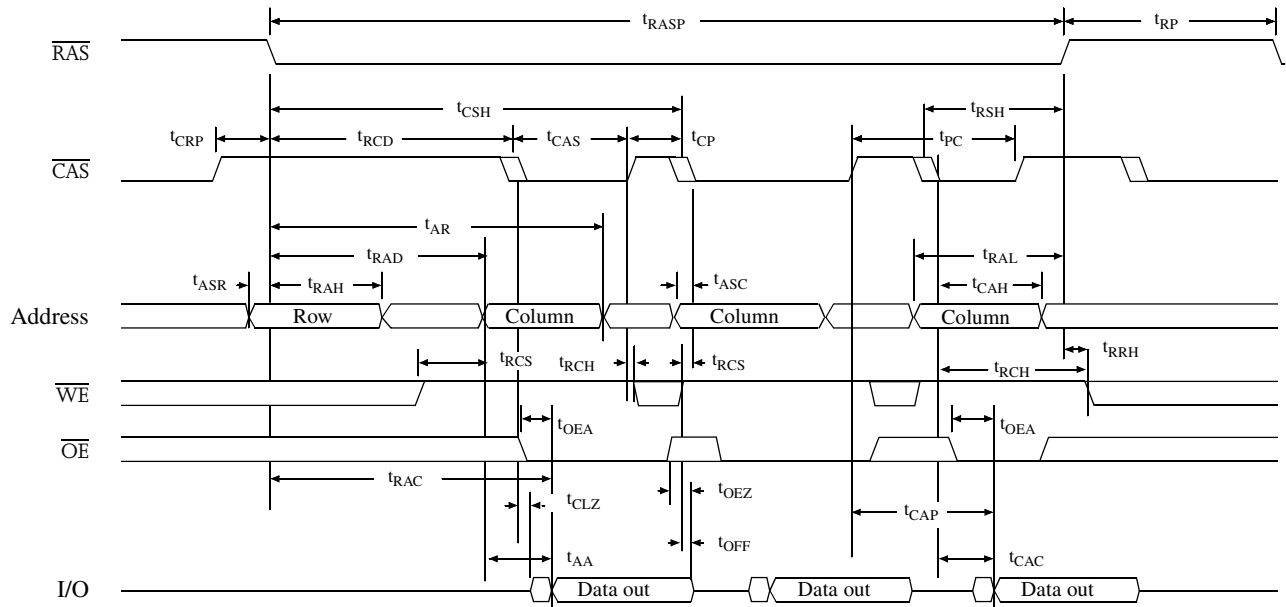


Read-modify-write waveform

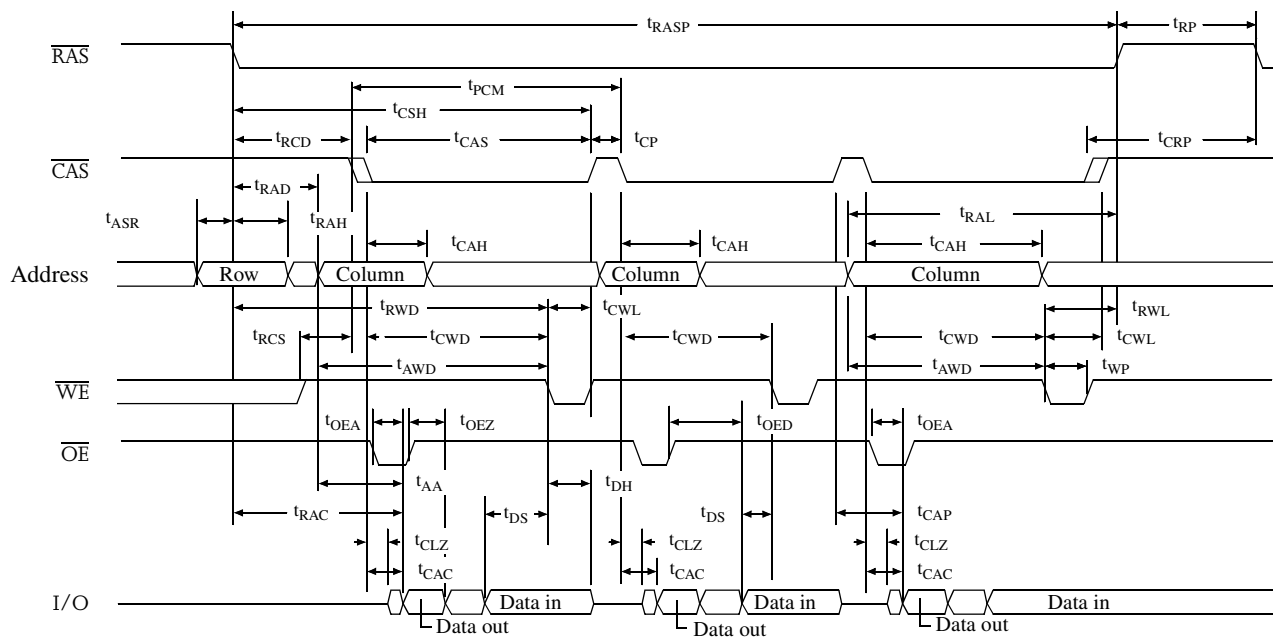




Fast page mode read waveform

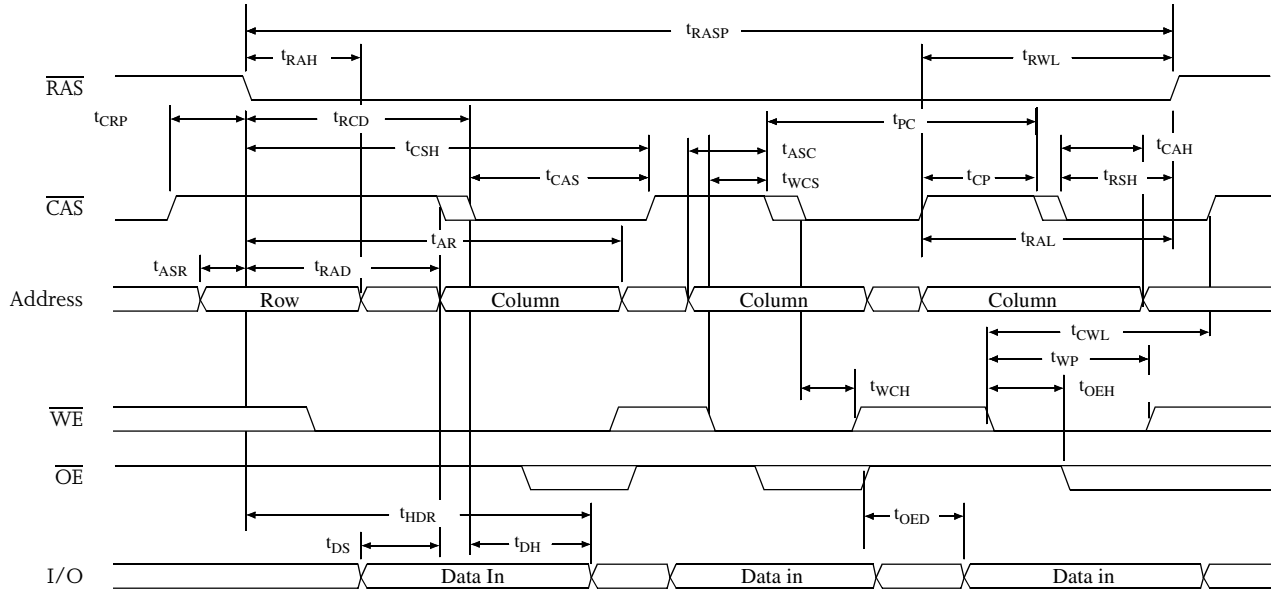


Fast page mode byte write waveform



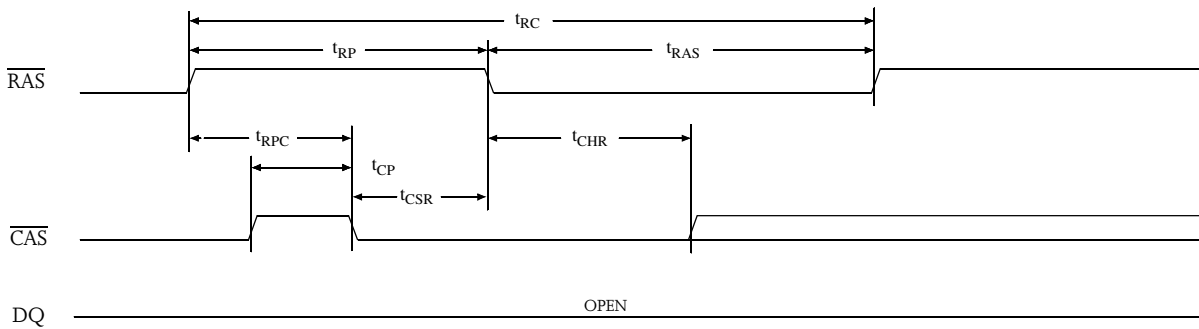


Fast page mode early write waveform



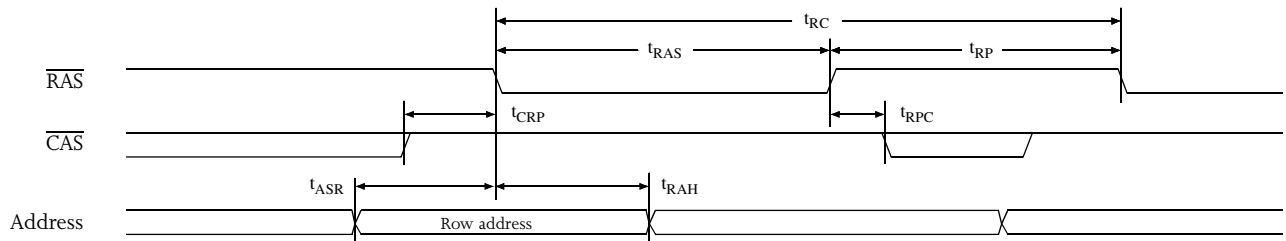
$\overline{\text{CAS}}$ before $\overline{\text{RAS}}$ refresh waveform

$\overline{\text{WE}} = V_{\text{IH}}$



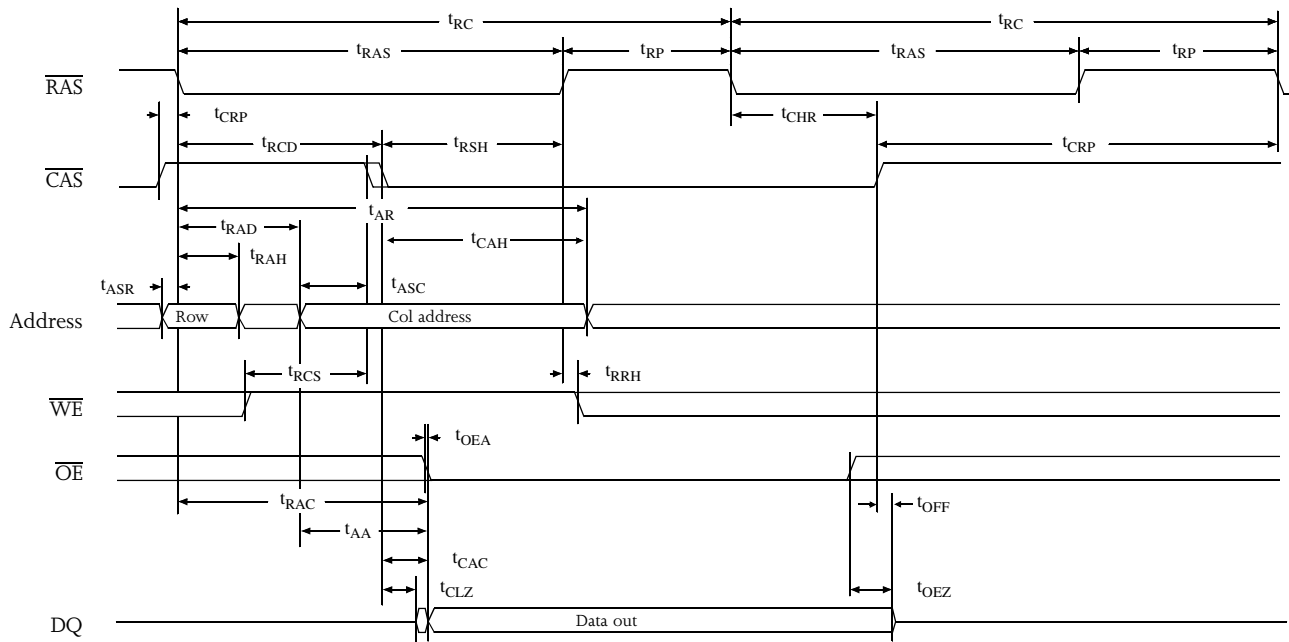
$\overline{\text{RAS}}$ only refresh waveform

$\overline{\text{WE}} = \overline{\text{OE}} = V_{\text{IH}}$ or V_{IL}

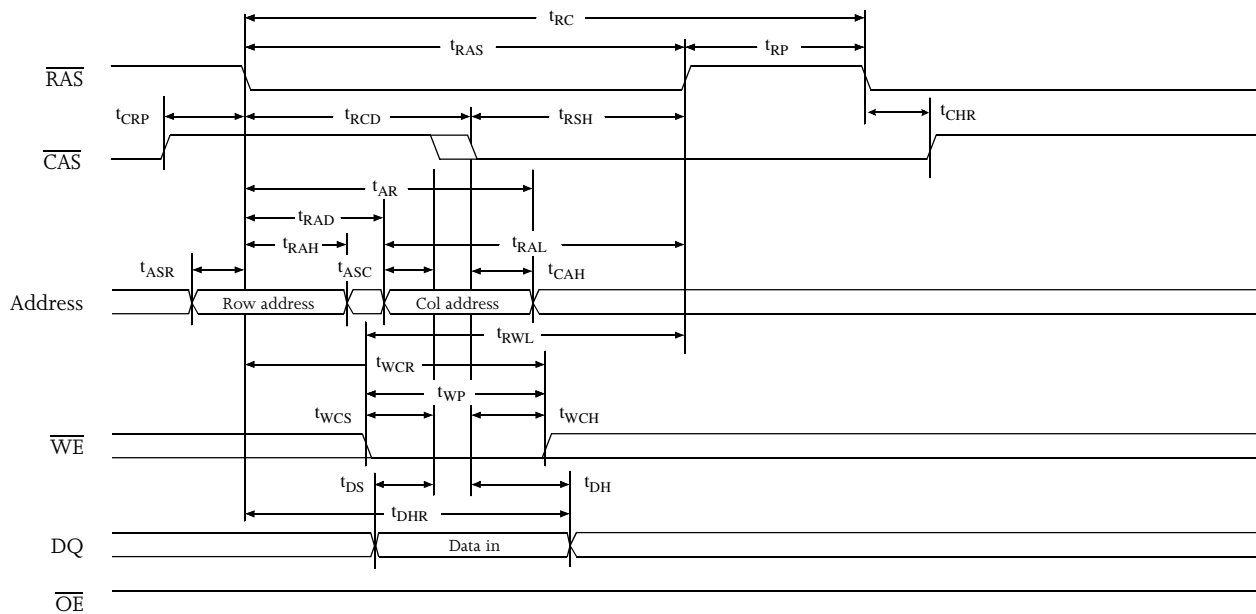




Hidden refresh waveform (read)

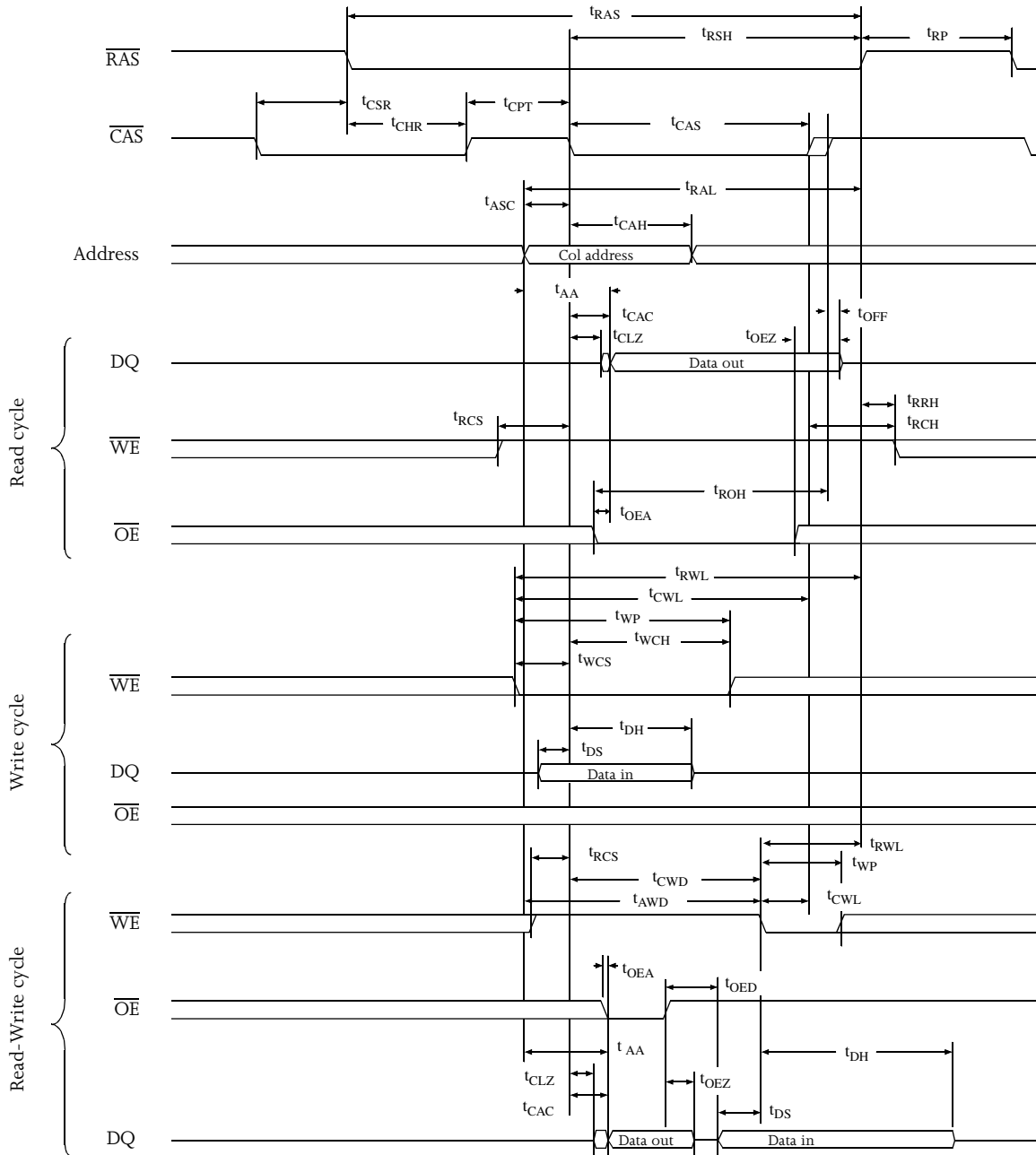


Hidden refresh waveform (write)



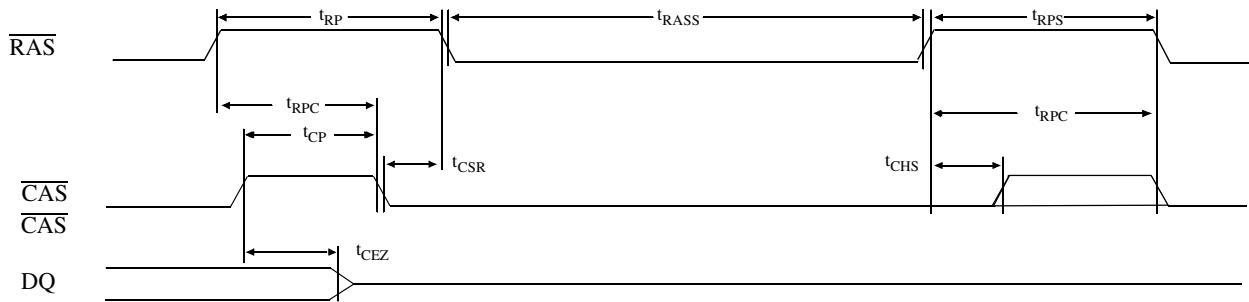


CAS before RAS refresh counter test waveform





$\overline{\text{CAS}}$ -before- $\overline{\text{RAS}}$ self refresh cycle



Capacitance ¹⁵

$f = 1 \text{ MHz}$, $T_a = \text{Room temperature}$

Parameter	Symbol	Signals	Test conditions	Max	Unit
Input capacitance	C_{IN1}	A0 to A10	$V_{\text{in}} = 0\text{V}$	5	pF
	C_{IN2}	$\overline{\text{RAS}}$, $\overline{\text{CAS}}$, $\overline{\text{WE}}$, $\overline{\text{OE}}$	$V_{\text{in}} = 0\text{V}$	7	pF
DQ capacitance	C_{DQ}	DQ0 to DQ03	$V_{\text{in}} = V_{\text{out}} = 0\text{V}$	7	pF

AS4LC4M4F1 ordering information

Package \ $\overline{\text{RAS}}$ access time			50 ns	60 ns
Plastic SOJ, 300 mil, 24/26-pin	3.3V		AS4LC4M4F1-50JC AS4LC4M4F1-50JI	AS4LC4M4F1-60JC AS4LC4M4F1-60JI
			AS4LC4M4F1-50TC AS4LC4M4F1-50TI	AS4LC4M4F1-60TC AS4LC4M4F1-60TI
Plastic TSOP, 300 mil, 24/26-pin*	3.3V			

* Shading indicates availability is TBD.

AS4LC4M4F1 family part numbering system

AS4	LC	4M4	F1	-XX	X	X
DRAM prefix	LC = 3.3V CMOS	4M×4	F1=2K refresh	$\overline{\text{RAS}}$ access time	Package: J = SOJ 300 mil, 24/26 T = TSOP 300 mil, 24/26*	Temperature range C=Commercial, 0°C to 70 °C I=Industrial, -40°C to 85°C