

isc N-Channel Mosfet Transistor

7N60

• FEATURES

- Drain Current  $-I_D = 7A @ T_C = 25^\circ C$
- Drain Source Voltage-  
:  $V_{DSS} = 600V (Min)$
- Static Drain-Source On-Resistance  
:  $R_{DS(on)} = 1.0 \Omega (Max)$
- Avalanche Energy Specified
- Fast Switching
- Simple Drive Requirements

• DESCRIPTION

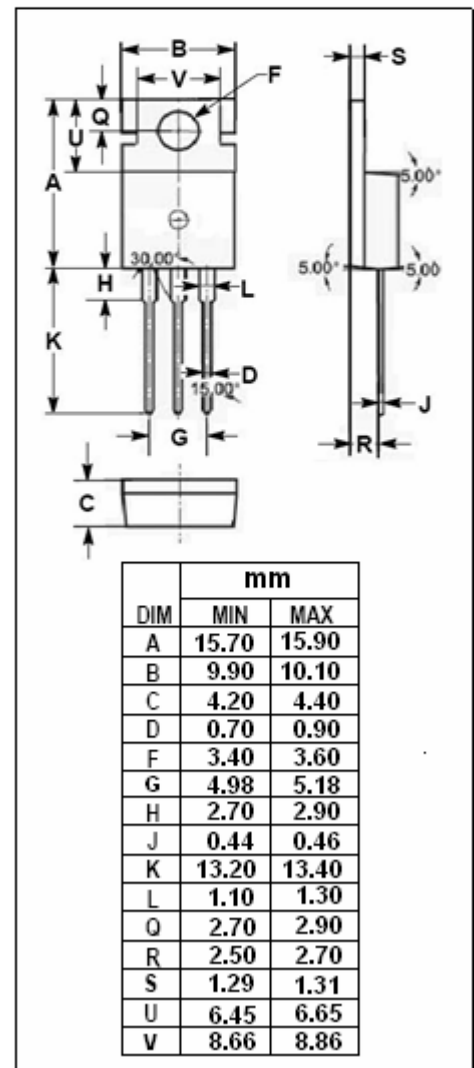
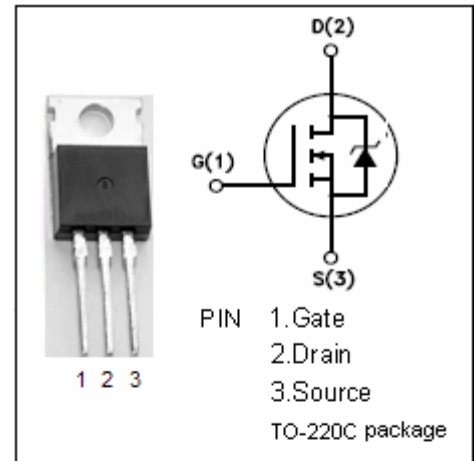
- Designed for high efficiency switch mode power supply.

• ABSOLUTE MAXIMUM RATINGS( $T_a = 25^\circ C$ )

SYMBOL	PARAMETER	VALUE	UNIT
$V_{DSS}$	Drain-Source Voltage	600	V
$V_{GS}$	Gate-Source Voltage-Continuous	$\pm 20$	V
$I_D$	Drain Current-Continuous	7	A
$I_{DM}$	Drain Current-Single Plused	28	A
$P_D$	Total Dissipation @ $T_C = 25^\circ C$	125	W
$T_j$	Max. Operating Junction Temperature	150	$^\circ C$
$T_{stg}$	Storage Temperature	-55~150	$^\circ C$

• THERMAL CHARACTERISTICS

SYMBOL	PARAMETER	MAX	UNIT
$R_{th j-c}$	Thermal Resistance, Junction to Case	1.0	$^\circ C/W$
$R_{th j-a}$	Thermal Resistance, Junction to Ambient	62.5	$^\circ C/W$



**isc N-Channel Mosfet Transistor****7N60****ELECTRICAL CHARACTERISTICS** $T_C=25^{\circ}\text{C}$  unless otherwise specified

SYMBOL	PARAMETER	CONDITIONS	MIN	MAX	UNIT
$V_{(BR)DSS}$	Drain-Source Breakdown Voltage	$V_{GS}=0; I_D=0.25\text{mA}$	600		V
$V_{GS(th)}$	Gate Threshold Voltage	$V_{DS}=V_{GS}; I_D=0.25\text{mA}$	2	4	V
$R_{DS(on)}$	Drain-Source On-Resistance	$V_{GS}=10\text{V}; I_D=3.5\text{A}$		1.0	$\Omega$
$I_{GSS}$	Gate-Body Leakage Current	$V_{GS}= \pm 20\text{V}; V_{DS}=0$		$\pm 100$	nA
$I_{DSS}$	Zero Gate Voltage Drain Current	$V_{DS}=600\text{V}; V_{GS}=0$		1	$\mu\text{A}$
$V_{SD}$	Forward On-Voltage	$I_S=7\text{A}; V_{GS}=0$		1.8	V