



U74CBT1G385

CMOS IC

SINGLE FET BUS SWITCH

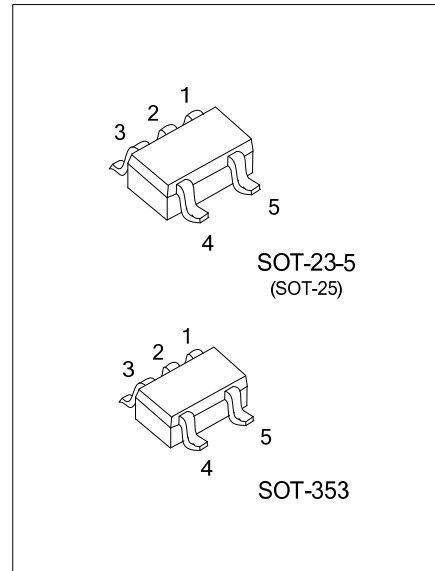
DESCRIPTION

The **U74CBT1G385** features a single high-speed line switch. The switch is disabled when the output-enable(OE) input is high.

The **U74CBT1G385** is characterized for operation from -40°C to 85°C.

FEATURES

- * 5-Ω Switch Connection Between Two Ports
- * TTL-compatible Control Input Levels
- * Packaged in Plastic Small-Outline Transistor Packages

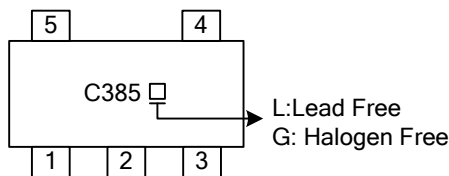


ORDERING INFORMATION

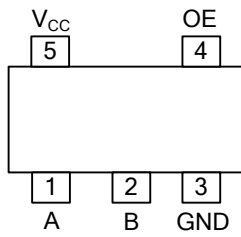
Ordering Number		Package	Packing
Lead Free Plating	Halogen Free		
U74CBT1G385L-AE5-R	U74CBT1G385G-AE5-R	SOT-23-5	Tape Reel
U74CBT1G385L-AL5-R	U74CBT1G385G-AL5-R	SOT-353	Tape Reel

<p>U74CBT1G385L-AE5-R</p> <p>(1)Packing Type (2)Package Type (3)Lead Free</p>	<p>(1) R: Tape Reel (2) AE5: SOT-23-5, AL5: SOT-353 (3) G: Halogen Free, L: Lead Free</p>
---	---

MARKING



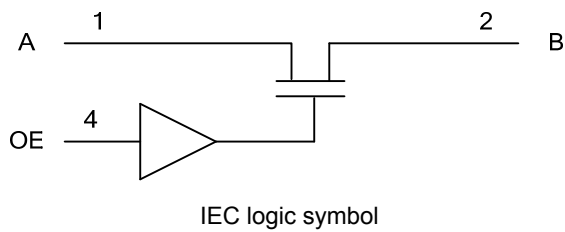
■ PIN CONFIGURATION



■ FUNCTION TABLE (each gate)

INPUT OE	OUTPUT
L	Disconnect
H	A port = B port

■ LOGIC DIAGRAM (positive logic)



■ ABSOLUTE MAXIMUM RATING (T_A=25°C , unless otherwise specified) (Note 1)

PARAMETER	SYMBOL	RATINGS	UNIT
Supply Voltage	V _{CC}	-0.5~7	V
Input Voltage	V _{IN}	-0.5~7	V
Continuous channel current	I _{CH}	128	mA
Input Clamp Current(V _I <0)	I _{IK}	-50	mA
Storage Temperature	T _{STG}	-65 ~ +150	°C

Note 1. The input and output voltage ratings may be exceeded if the input and output current ratings are observed.

2. The package thermal impedance is calculated in accordance with JESD 51.

■ RECOMMENDED OPERATING COMDITIONS

PARAMETER	SYMBOL	MIN	TYP	MAX	UNIT
Supply Voltage	V _{CC}	4		5.5	V
High-control input voltage	V _{IH}	2			V
Low-control input voltage	V _{IL}			0.8	V
Operating Temperature	T _A	-40		+85	°C

■ STATIC CHARACTERISTICS

PARAMETER	SYMBOL	TEST CONDITIONS	MIN	TYP	MAX	UNIT
Digital Input Diode Voltage	V _{IK}	V _{CC} =4.5V, I _I =-18mA			-1.2	V
Input Leakage Current	I _{IN}	V _{CC} =5.5V, V _I =V _{CC} or GND			±1	μA
V _{CC} or GND Current	I _{CC}	V _{CC} = 5.5V, V _I =5.5V or GND, I _O =0			1	μA
Control input	C _{IN}	V _O =3V or 0		3		pF
I/O Capacitance (OFF)	C _{IO}	V _O =3V or 0, OE= V _{CC}		4		pF
Resistor between two ports	R _{ON}	V _{CC} =4V, TYP at V _{CC} =4V, V _I =2.4V, I _I =15mA		14	20	Ω
		V _{CC} =4.5V, V _I =0V	I _I =64mA	5	7	Ω
			I _I =30mA	5	7	Ω
		V _{CC} =4.5V, V _I =2.4V, I _I =15mA		10	15	Ω

■ DYNAMIC CHARACTERISTICS (Input: t_R, t_F≤2.5ns; PRR≤10MHz; CL=50pF)

See Fig. 1 and Fig. 2 for test circuit and waveforms.

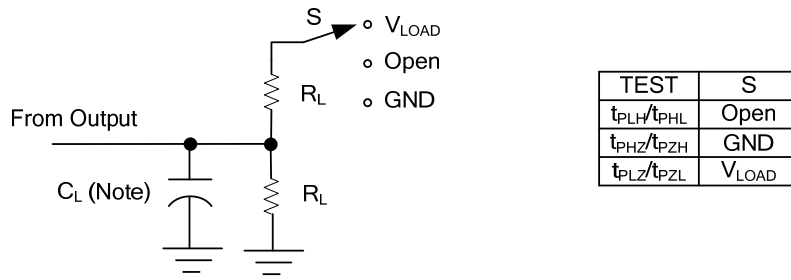
PARAMETER	SYMBOL	TEST CONDITIONS	MIN	TYP	MAX	UNIT
From input (A or B) to output (B or A) (Note)	t _{pd}	V _{CC} =4V, C _L =50pF, R _L =500Ω			0.35	ns
		V _{CC} = 5V±0.5V, C _L =50pF, R _L =500Ω			0.25	ns
From input OE to output (A or B)	t _{en}	V _{CC} =4V, C _L =50pF, R _L =500Ω			5.5	ns
		V _{CC} = 5V±0.5V, C _L =50pF, R _L =500Ω	1.6		4.9	ns
From input OE to output (A or B)	t _{dis}	V _{CC} =4V, C _L =50pF, R _L =500Ω			4.5	ns
		V _{CC} = 5V±0.5V, C _L =50pF, R _L =500Ω	1		4.2	ns

Note: 1. t_{pd}: t_{PLH} and t_{PHL}.

2. t_{en}: t_{PZL} and t_{PZH}.

3. t_{dis}: t_{PLZ} and t_{PHZ}.

TEST CIRCUIT AND WAVEFORMS ($C_L=50\text{pF}$, $R_L=500\Omega$, $V_{LOAD}=7\text{V}$, $V_M=1.5\text{V}$, $V_{IN}=3\text{V}$)



Note: CL includes probe and jig capacitance.

Fig. 1 Load circuitry for switching times.

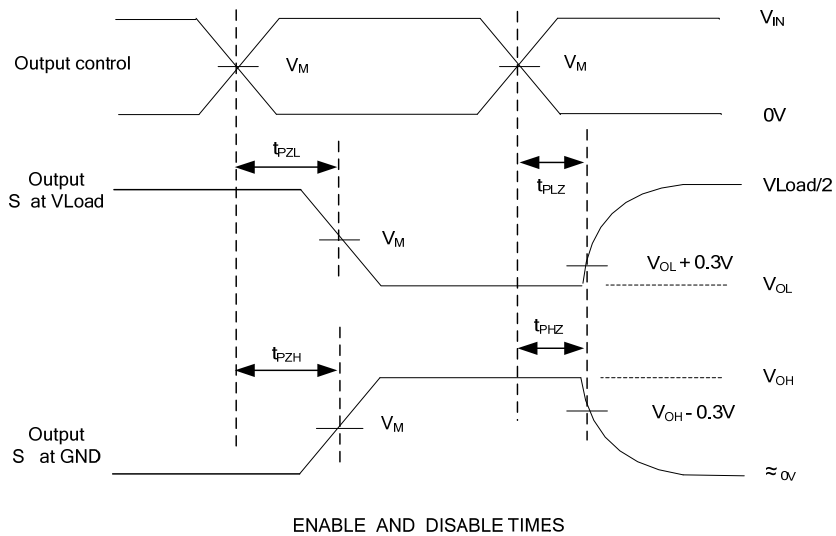
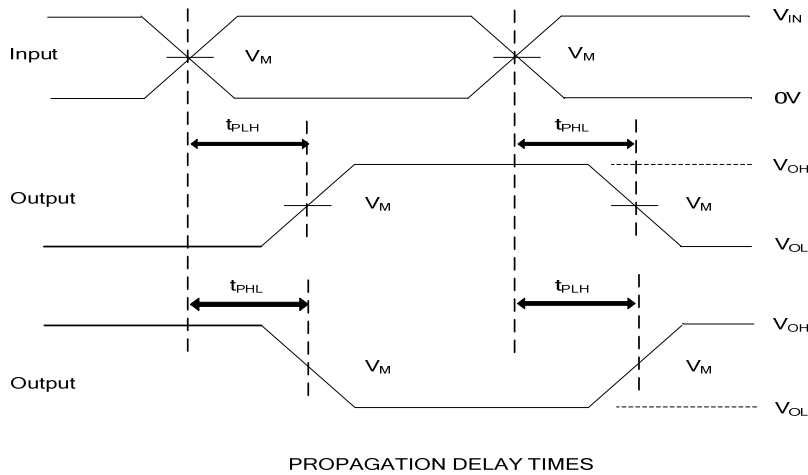


Fig. 2 Propagation delay from input(A) to output(B) and Output transition time.

UTC assumes no responsibility for equipment failures that result from using products at values that exceed, even momentarily, rated values (such as maximum ratings, operating condition ranges, or other parameters) listed in products specifications of any and all UTC products described or contained herein. UTC products are not designed for use in life support appliances, devices or systems where malfunction of these products can be reasonably expected to result in personal injury. Reproduction in whole or in part is prohibited without the prior written consent of the copyright owner. The information presented in this document does not form part of any quotation or contract, is believed to be accurate and reliable and may be changed without notice.