

PLEASE CHECK WWW.MOLEX.COM FOR LATEST PART INFORMATION

Part Number: [0557590771](#)
Status: **Active**
Description: 7.50mm (.295") Pitch MTC™ Right Angle PCB Header, 7 Circuits Version, Black Color

Documents:

[3D Model](#) [Product Specification PS-51241-005 \(PDF\)](#)
[Drawing \(PDF\)](#) [RoHS Certificate of Compliance \(PDF\)](#)

Agency Certification

CSA LR19980
 UL E29179

General

Product Family Terminal Blocks
 Series [55759](#)
 Application Wire-to-Board
 Component Type PCB Header
 Product Name MTC™
 Type Euro Block

Physical

Circuits (Loaded) 7
 Color - Resin Black, Natural
 Entry Angle N/A
 Flammability 94V-0
 Lock to Mating Part Yes
 Material - Plating Mating Tin
 Material - Plating Termination Tin
 Material - Resin Nylon
 Number of Rows 1
 Orientation Right Angle
 PC Tail Length (in) 0.149 In
 PC Tail Length (mm) 3.80 mm
 PCB Thickness Recommended (in) 0.062 In
 PCB Thickness Recommended (mm) 1.60 mm
 Panel Mount No
 Pitch - Mating Interface (in) 0.295 In
 Pitch - Mating Interface (mm) 7.50 mm
 Plating min: Mating (µin) 120
 Plating min: Mating (µm) 3
 Plating min: Termination (µin) 120
 Plating min: Termination (µm) 3
 Polarized to Mating Part Yes
 Shrouded Closed Ends
 Stackable No
 Temperature Range - Operating -30°C to +85°C
 Termination Interface: Style Through Hole
 Wire Size AWG N/A

Electrical

Current - Maximum per Contact 16A
 Voltage - Maximum 400V

Material Info

Reference - Drawing Numbers

Product Specification PS-51241-005, RPS-51241-007

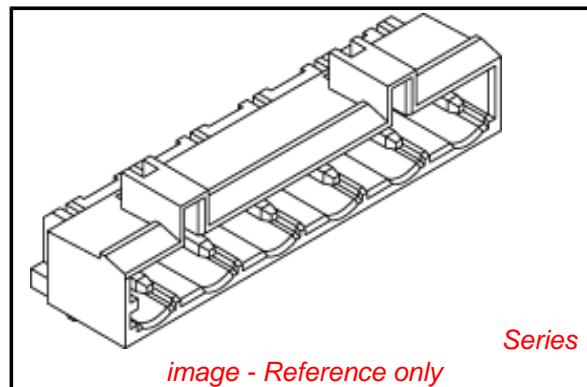


image - Reference only

EU RoHS

**ELV and RoHS
 Compliant**
REACH SVHC
 Not Reviewed
**Halogen-Free
 Status**
 Not Reviewed

China RoHS



**Need more information on product
 environmental compliance?**

Email productcompliance@molex.com
 For a multiple part number RoHS Certificate of
 Compliance, [click here](#)

Please visit the [Contact Us](#) section for any
 non-product compliance questions.

Search Parts in this Series

[55759Series](#)

Mates With

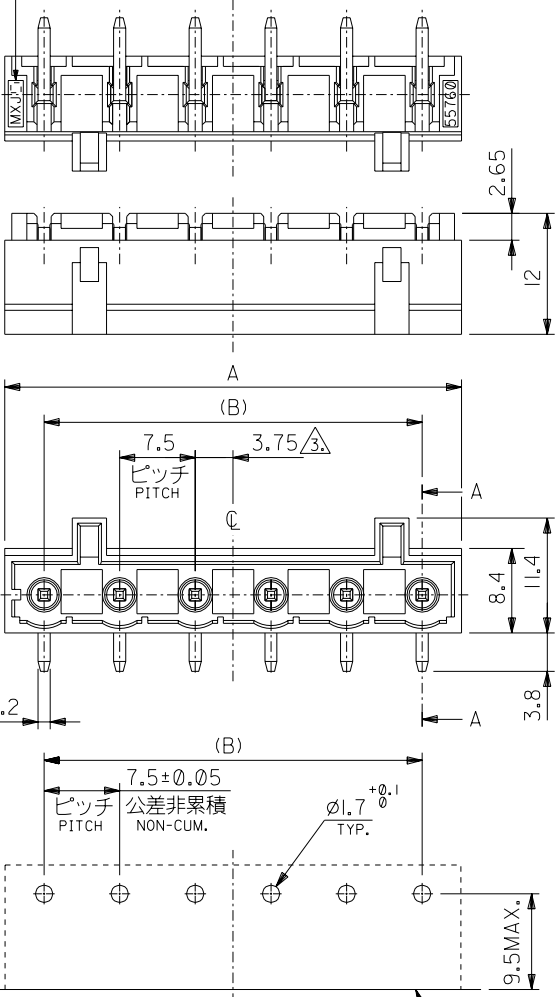
[51241](#) , [54928](#)

This document was generated on 04/27/2010

PLEASE CHECK WWW.MOLEX.COM FOR LATEST PART INFORMATION

DWG. NO. SD-55759-004

トレードマーク
TRADE MARK



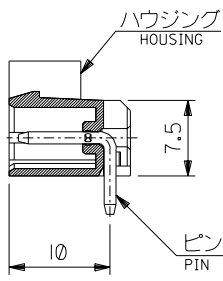
推奨基板穴寸法 (+1.6)
RECOMMENDED PCB HOLE DIM. (+1.6)

基板端面
EDGE OF PCB

注記
NOTES:

- 材質
MATERIAL
・ハウジング
HOUSING
ガラス入り 66 ナイロン, UL94V-0
66 NYRON, GLASS FILLED, UL94V-0
色: 表参照
COLOR: REFER TO THE CHART
- ピン
PIN
銅合金
COPPER ALLOY
- メッキ仕様
PLATING
錫メッキ: 1.0 μm MIN.
TIN PLATING: 1.0 MICROMETER MIN.
ニッケルメッキ: 1.0 μm MIN. (下地メッキ)
NICKEL PLATING: 1.0 MICROMETER MIN. (UNDER PLATING)

△3. 偶数極品に適用
APPLIED EVEN CIRCUITS PRODUCTS.



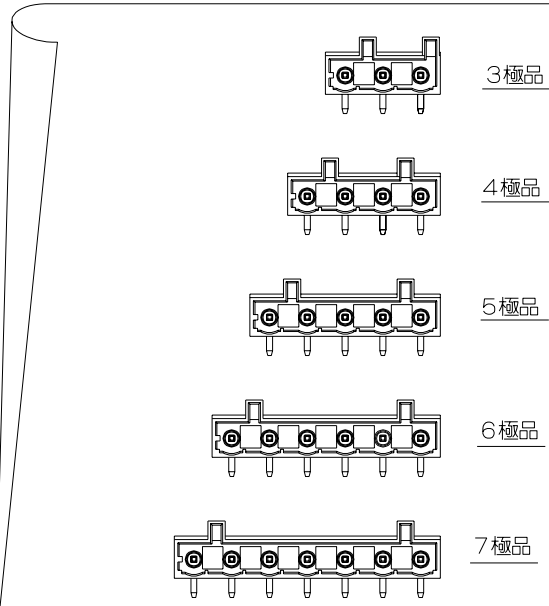
4. 適合リセプタクル
APPLIED RECEPTACLE
51241 SERIES
54928 SERIES

△5. 製品番号
MATERIAL NO. 55759-***7*

極数 CIRCUIT SIZE

アイボリー IVORY	0	色 COLOR
黒 BLACK	1	
灰 GRAY	5	

6. 本製品は 55759-***1* の鉛フリー品である。
THIS PRODUCT IS LEAD FREE OF 55759-***1*.



45	52.8	55759-077*	7
37.5	45.3	55759-067*	6
30	37.8	55759-057*	5
22.5	30.3	55759-047*	4
15	22.8	55759-037*	3
B	A	△5. 製品番号 MATERIAL NO.	極数 CIRCUITS

DO NOT SCALE DRAWING

EC NO. DRWN: CHK: APPR:	EC NO. DRWN: CHK: APPR:	EC NO. DRWN: CHK: APPR:	EC NO. DRWN: CHK: APPR:	EC NO. DRWN: CHK: APPR:	RELEASED EC NO. J2004-3658 DRWN: Y.WADA '04/04/07 CHK: M.SASAO '04/04/07 APPR: M.SASAO '04/04/07	MATERIAL 材料	注記参照 SEE NOTES	GENERAL TOLERANCES: (UNLESS SPECIFIED) 一般公差	SCALE 2:1	MODEL NO. DESIGN UNITS THIRD ANGLE PROJECTION	55759-***7*	DIMENSIONS: mm INCH mm INCH	SHT REV
					DESCRIPTION	FINISH 仕上げ	注記参照 SEE NOTES	10 UNDER 未滿	2:1	Y.WADA '04/04/07	TITLE: MTC (MULTI TERMINAL CONN.) 7.5mm PITCH HEADER HS'G ASS'Y -LEAD FREE-		
					WIRE RANGE 適用電線範囲			10 OVER 30 UNDER 以上 未滿		M.SASAO '04/04/07			
					REV			30 OVER 以上		M.SASAO '04/04/07	MOLEX MOLEX INCORPORATED		
								ANGLE 角度	3°	CAD FILENAME SD-55759-004.S01	MATERIAL NO. SEE CHART	DRAWING NO. SD-55759-004	SHEET NO. 1 OF 1
THIS DRAWING CONTAINS INFORMATION THAT IS PROPRIETARY TO MOLEX INCORPORATED AND SHOULD NOT BE USED WITHOUT WRITTEN PERMISSION.												SIZE B	