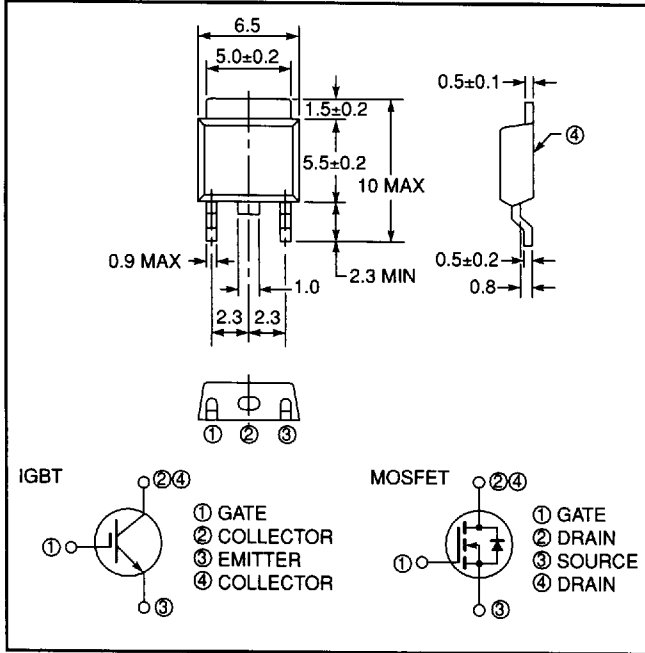


### Discrete MOSFET - High Voltage (continued) FS-IV Series MOSFETs (900V)

Device Number	Maximum Ratings, $T_c = 25^\circ\text{C}$					Electrical Characteristics				Package	
	$V_{DSS}$ (V)	$I_D$ (A)	$P_D$ (W)	$R_{th(ch-c)}$ ( $^\circ\text{C/W}$ )	$V_{GSS}$ (V)	$r_{DS(on)}$ ( $\Omega$ )		$V_{GS(th)}$ (V)	$C_{iss}$ (pF)	Outline	Page
						Typ.	Max.				
FS1AS-18A	900	1	55	2.27	$\pm 30$	11.5	15.0	3	270	MP-3	31
FS1UM-18A	900	1	65	1.92	$\pm 30$	11.5	15.0	3	270	TO-220	31
FS1VS-18A	900	1	65	1.92	$\pm 30$	11.5	15.0	3	270	TO-220S	31
FS1KM-18A	900	1	25	5.0	$\pm 30$	11.5	15.0	3	270	TO-220FN	31
FS2UM-18A	900	2	85	1.47	$\pm 30$	5.62	7.30	3	460	TO-220	31
FS2VS-18A	900	2	85	1.47	$\pm 30$	5.62	7.30	3	460	TO-220S	31
FS2KM-18A	900	2	30	4.17	$\pm 30$	5.62	7.30	3	460	TO-220FN	31
FS3UM-18A	900	3	100	1.25	$\pm 30$	3.08	4.00	3	770	TO-220	31
FS3VS-18A	900	3	100	1.25	$\pm 30$	3.08	4.00	3	770	TO-220S	31
FS3KM-18A	900	3	30	4.17	$\pm 30$	3.08	4.00	3	770	TO-220FN	31
FS3SM-18A	900	3	100	1.25	$\pm 30$	3.08	4.00	3	770	TO-3P	32
FS5UM-18A	900	5	125	1.00	$\pm 30$	2.15	2.80	3	1050	TO-220	31
FS5VS-18A	900	5	125	1.00	$\pm 30$	2.15	2.80	3	1050	TO-220S	31
FS5KM-18A	900	5	30	4.17	$\pm 30$	2.15	2.80	3	1050	TO-220FN	31
FS5SM-18A	900	5	125	1.00	$\pm 30$	2.15	2.80	3	1050	TO-3P	32
FS7UM-18A	900	7	150	0.83	$\pm 30$	1.54	2.00	3	1380	TO-220	31
FS7VS-18A	900	7	150	0.83	$\pm 30$	1.54	2.00	3	1380	TO-220S	31
FS7KM-18A	900	7	40	3.13	$\pm 30$	1.54	2.00	3	1380	TO-220FN	31
FS7SM-18A	900	7	150	0.83	$\pm 30$	1.54	2.00	3	1380	TO-3P	32
FS10SM-18A	900	10	200	0.625	$\pm 30$	0.93	1.20	3	2250	TO-3P	32
FS10RM-18A	900	10	70	1.78	$\pm 30$	0.93	1.20	3	2250	TO-3PF	33
FS14SM-18A	900	14	275	0.45	$\pm 30$	0.63	0.85	3	2900	TO-3P	32

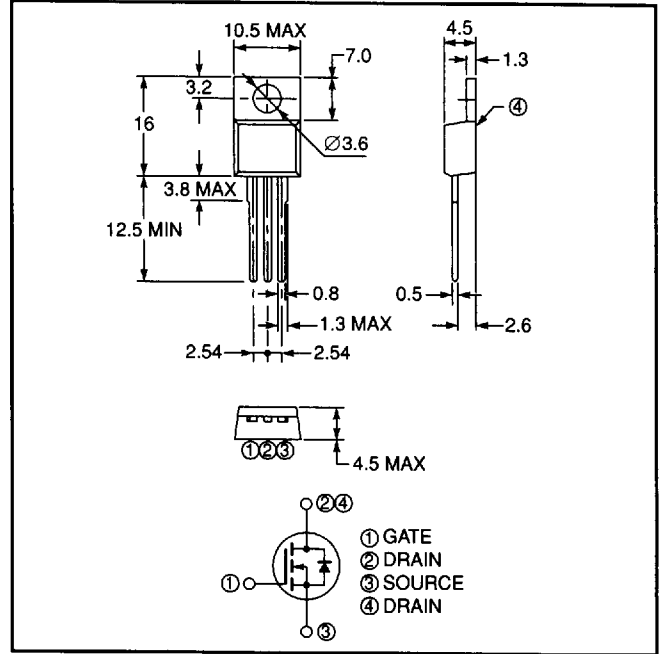
## Device Outline Drawings

### MP-3



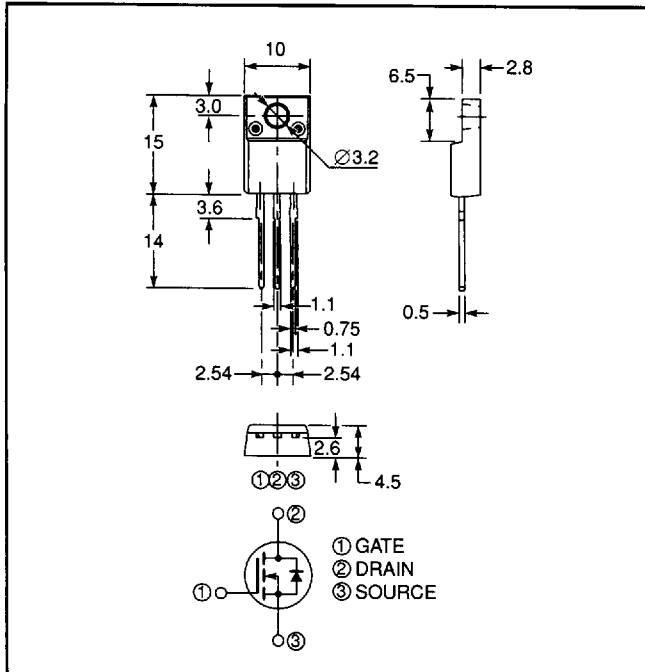
IGBT CT\*\*AS-8  
 MOSFET FS\*\*AS-8

### TO-220



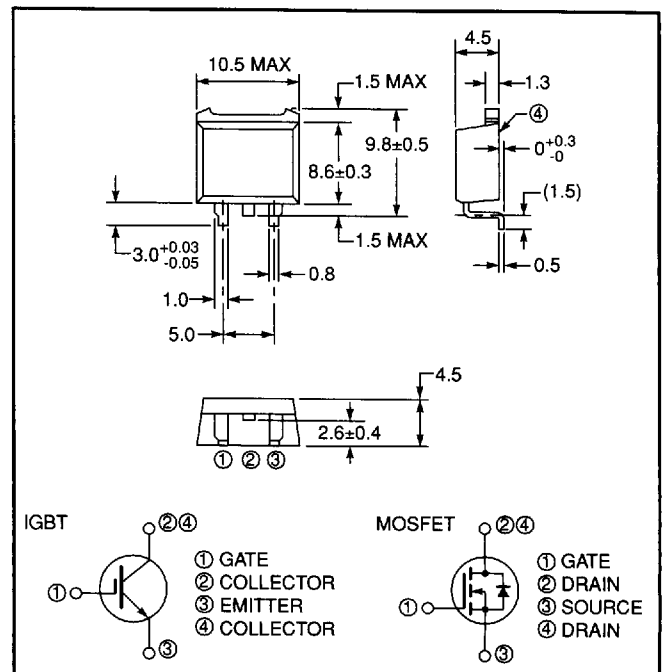
MOSFET FK\*\*UM-\*\*, FS\*\*UM-\*\*

### TO-220FN



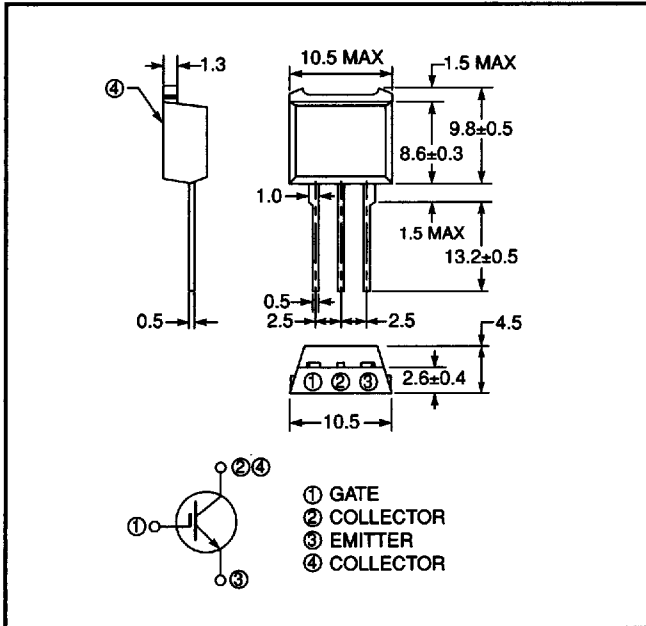
MOSFET FK\*\*KM-\*\*, FS\*\*KM-\*\*

### TO-220S



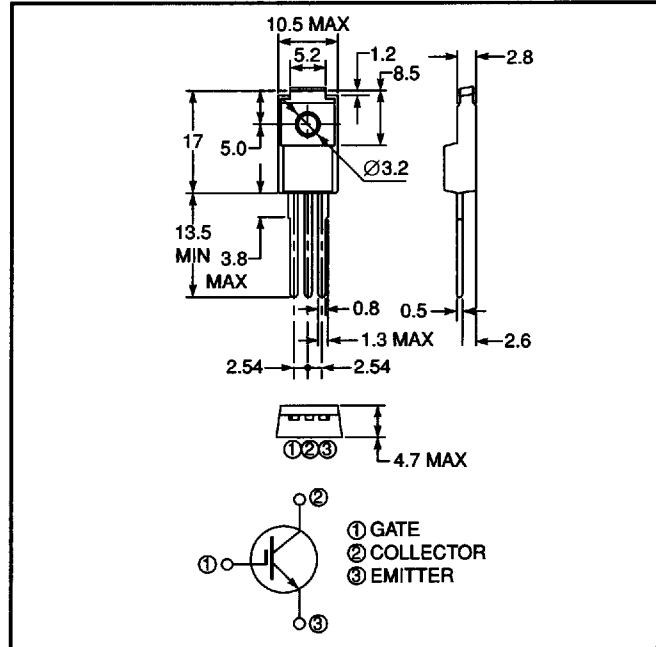
IGBT CT\*\*VS-8  
 MOSFET FK\*\*VS-\*\*, FS\*\*VS-\*\*

### TO-220C



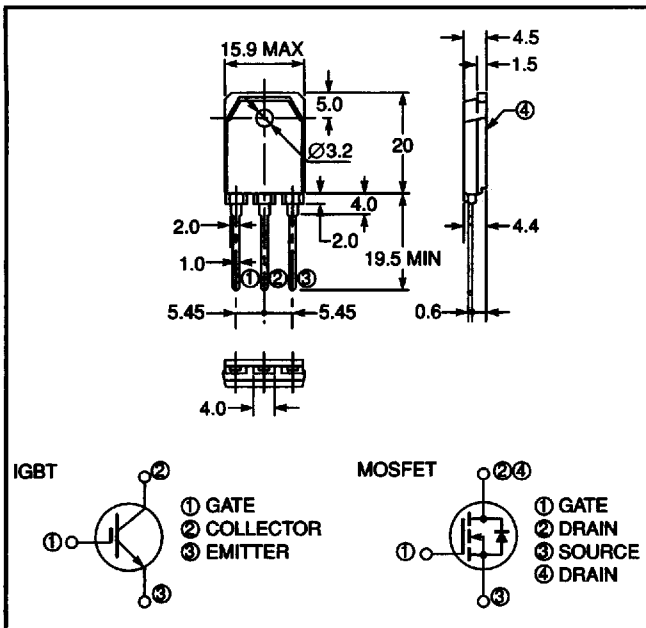
IGBT CT\*\*VM-8

### TO-220F



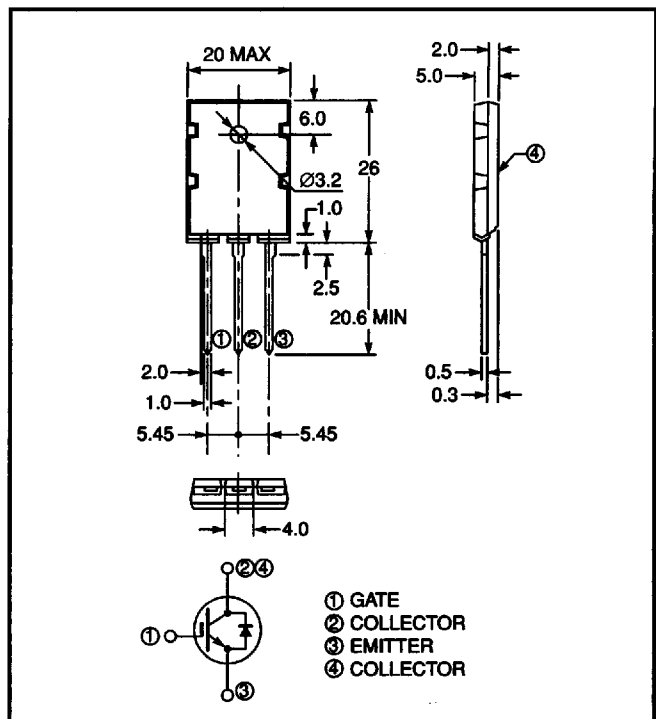
IGBT CT\*\*TM-\*\*

### TO-3P



IGBT CT\*\*SM-8  
 MOSFET FK\*\*SM-\*\*, FS\*\*SM-\*\*

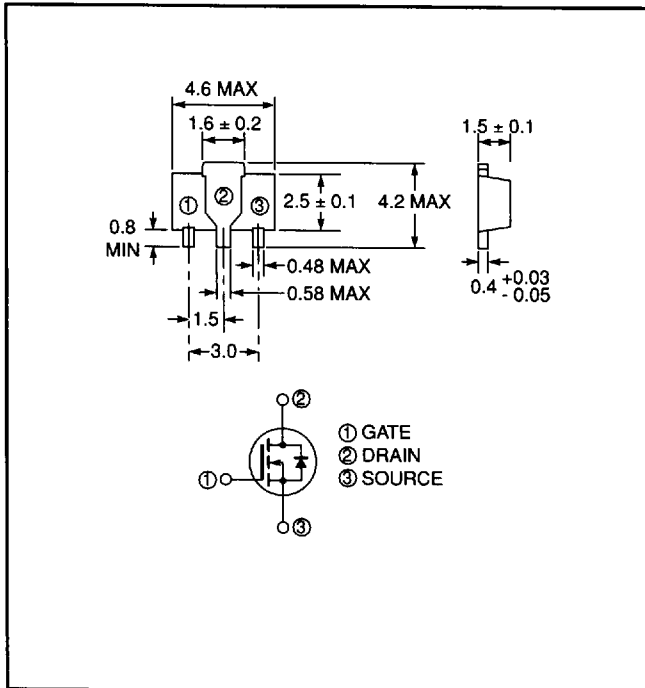
### TO-3PL



IGBT CT\*\*AM-\*\*

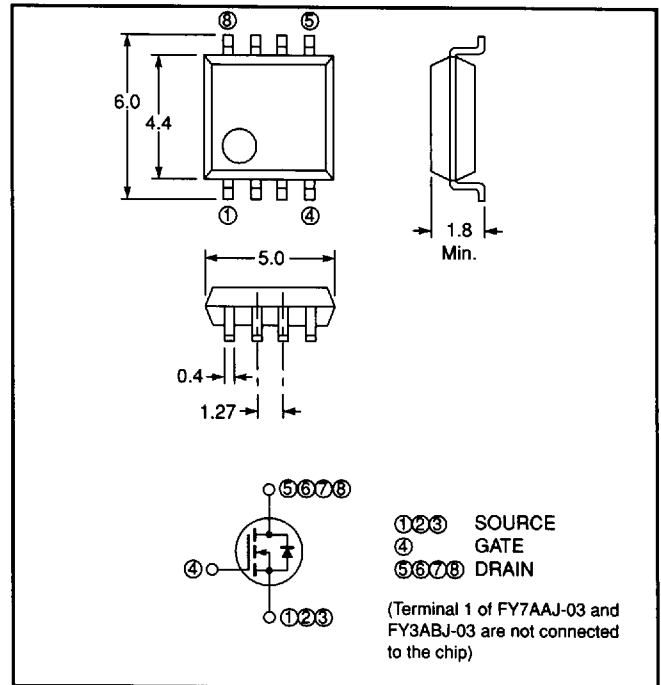
## Device Outline Drawings

### SOT-89



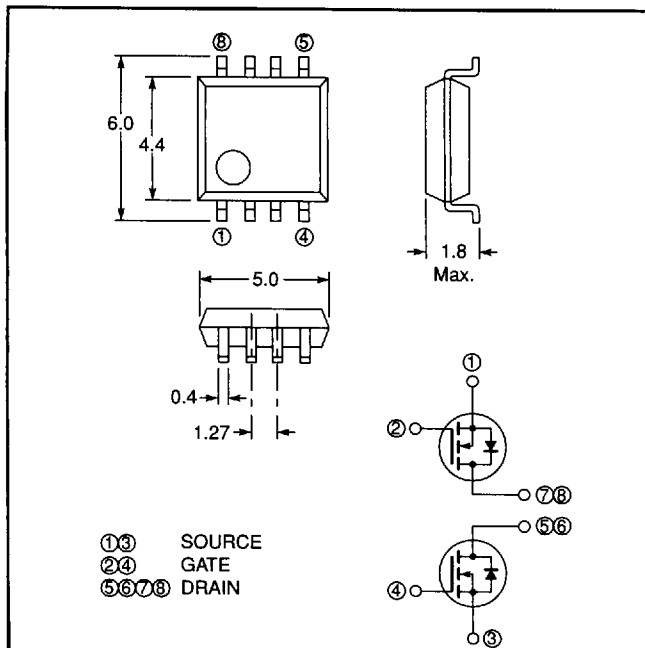
MOSFET FS\*\*, FX\*\*

### SOP-8 (Single)



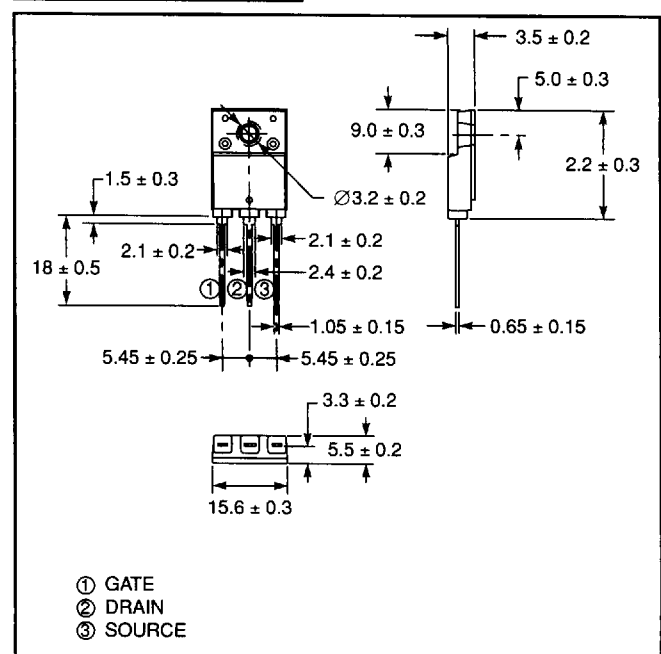
MOSFET FY\*\*

### SOP-8 (Dual)



MOSFET FY\*\*

### TO-3PF



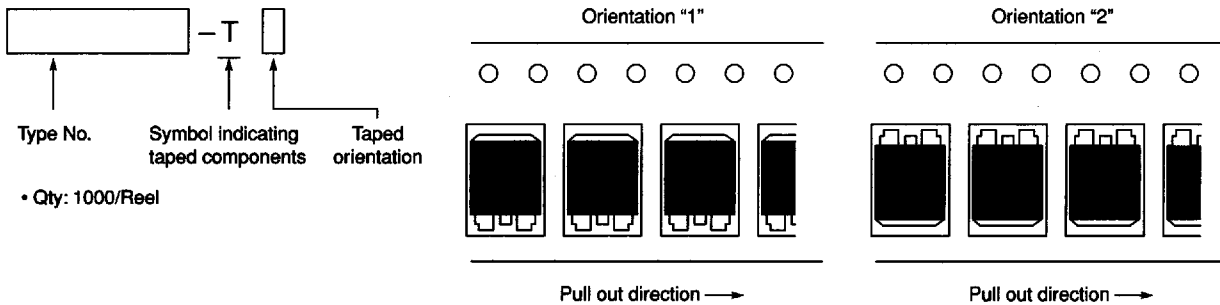
MOSFET FS\*\*RM-\*\*

### MOSFET Packing Quantities and Types

Package	Outline Code	Packing	Minimum Quantity per Package
TO-220	UM	Bag	100
TO-220FN	KM	Tube	50
TO-220S	VS	Bag	100
TO-220S	VS	Reel	1000
TO-3P	SM	Bag	20
MP-3	AS	Bag	500
MP-3	AS	Reel	3000
SOP-8	FY	Reel	3000

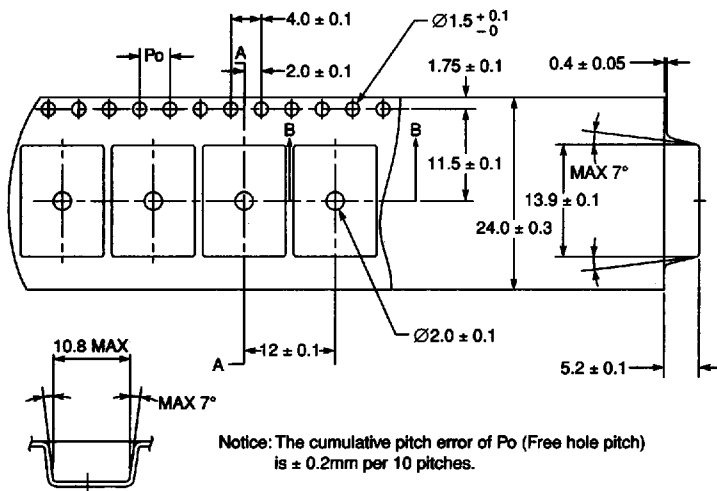
### TO-220S Taping

#### (a) Marking

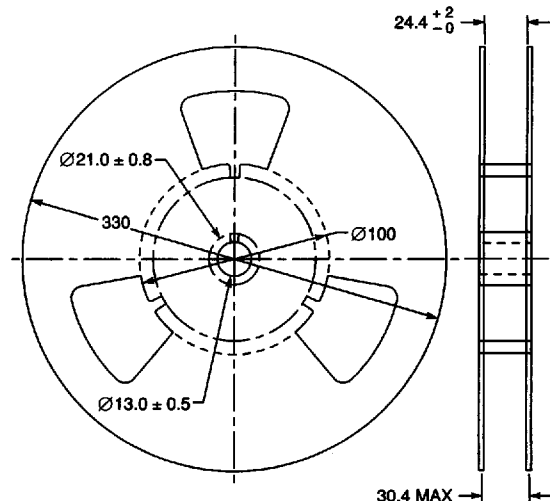


#### (b) Taping

##### • Tape Shape and Dimensions

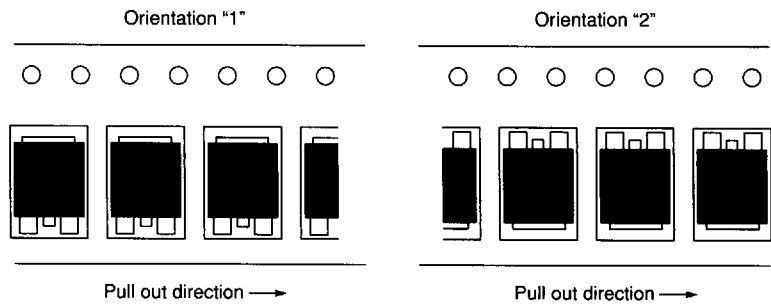
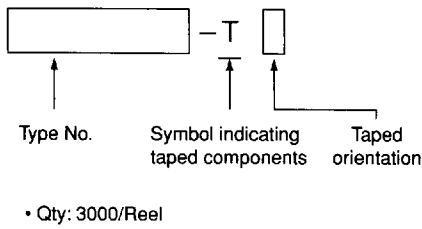


##### • Reel Shape and Dimensions



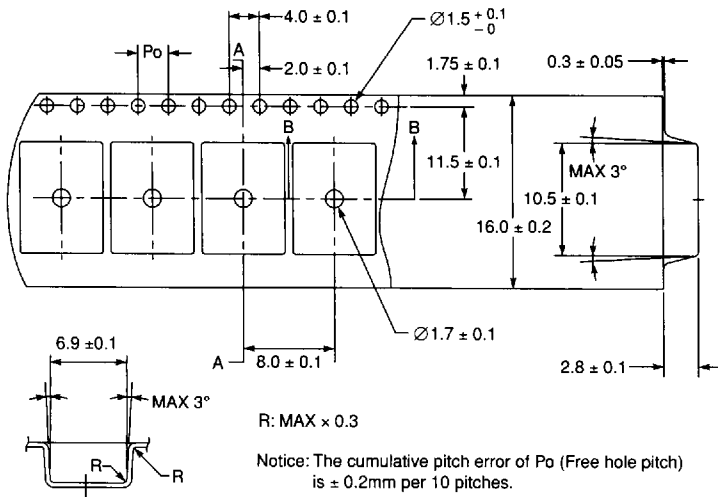
### MP-3 Taping

#### (a) Marking



#### (b) Taping

##### • Tape Shape and Dimensions



##### • Reel Shape and Dimensions

